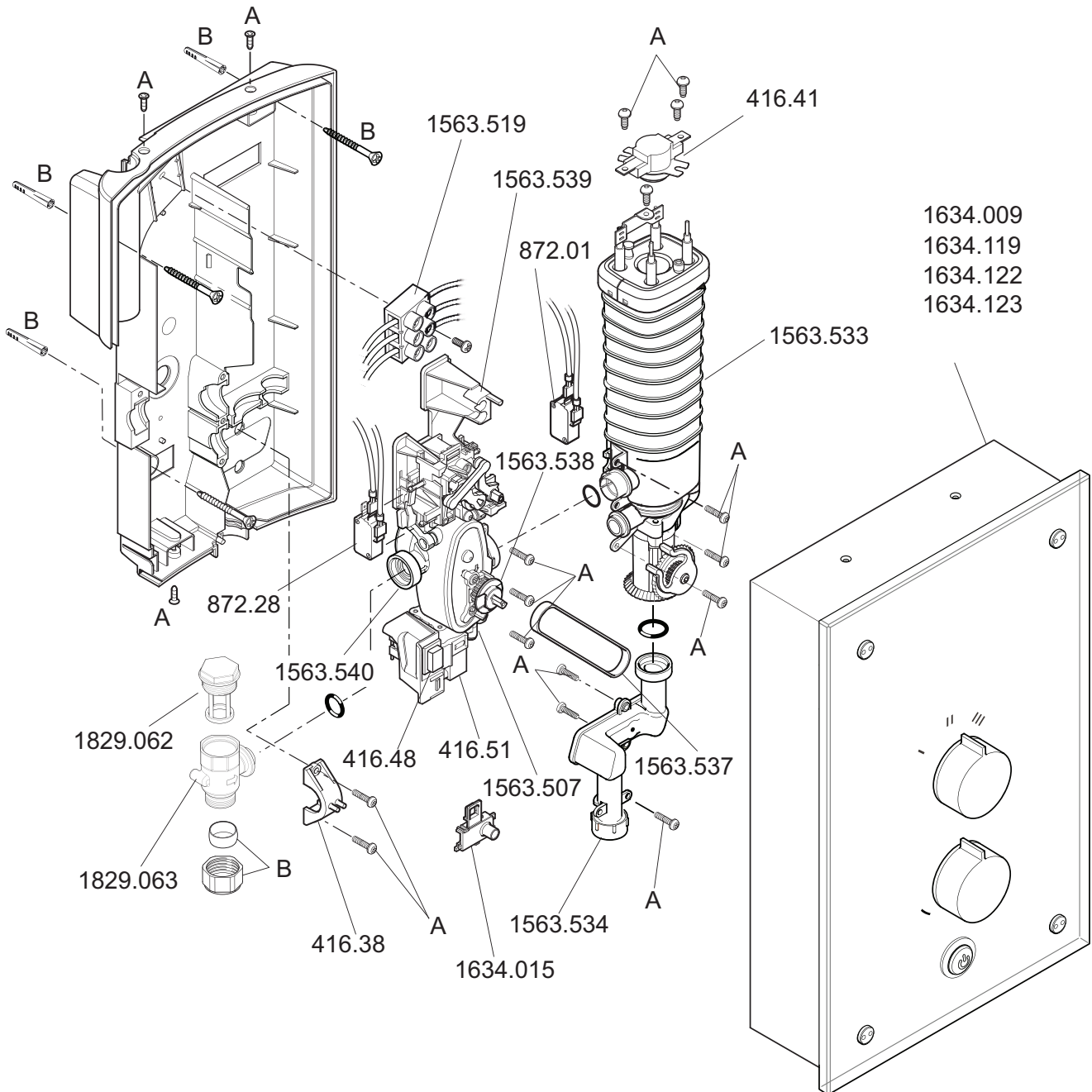


Mira Azora

(2006 - Current J95L 9.8kW)

1.1634.011



Mira Azora

(2006 - Current J95L 9.8kW)

1.1634.011

416.38	Clamp Bracket (Inlet)
416.41	Thermal Switch
416.48	Latching Switch
416.51	Solenoid Coil
872.01	Microswitch N/O - 2 pin
872.28	Microswitch C/O - 3 pin
1563.519	Terminal Block Assembly
1563.533	Thermostatic Valve/Heater Tank 9.8 kW 240 V AC
1563.534	Outlet Connector Assembly
1563.537	Temperature Control Belt Thermostatic
1563.538	Temperature Cam & Pulley
1563.539	Switching Assembly
1563.540	Inlet Valve Assembly
1563.551	Component Pack - chrome - components identified 'B'
1634.015	Start/Stop LED Assembly
1634.026	Screw Pack - components identified 'A'
1634.009	Cover Assembly - Frosted Glass
1634.119	Cover Assembly - Grape Glass
1634.122	Cover Assembly - Flag
1634.123	Cover Assembly - Stones
1829.062	Inlet Filter (with 'O' seal fitted)
1829.063	Inlet Connector Assembly



Mira electric showers are provided with a two year warranty and spare parts are available free of charge during that period with a valid proof of purchase. For showers outside of the warranty period, spare parts are available to purchase direct, alternatively we have Mira technicians who can repair your shower for you. For further information visit www.mirashowers.co.uk or to check availability of spare parts for this shower or enquire about our repair service please contact our customer service on **0844 571 5000**.

mira
SHOWERS