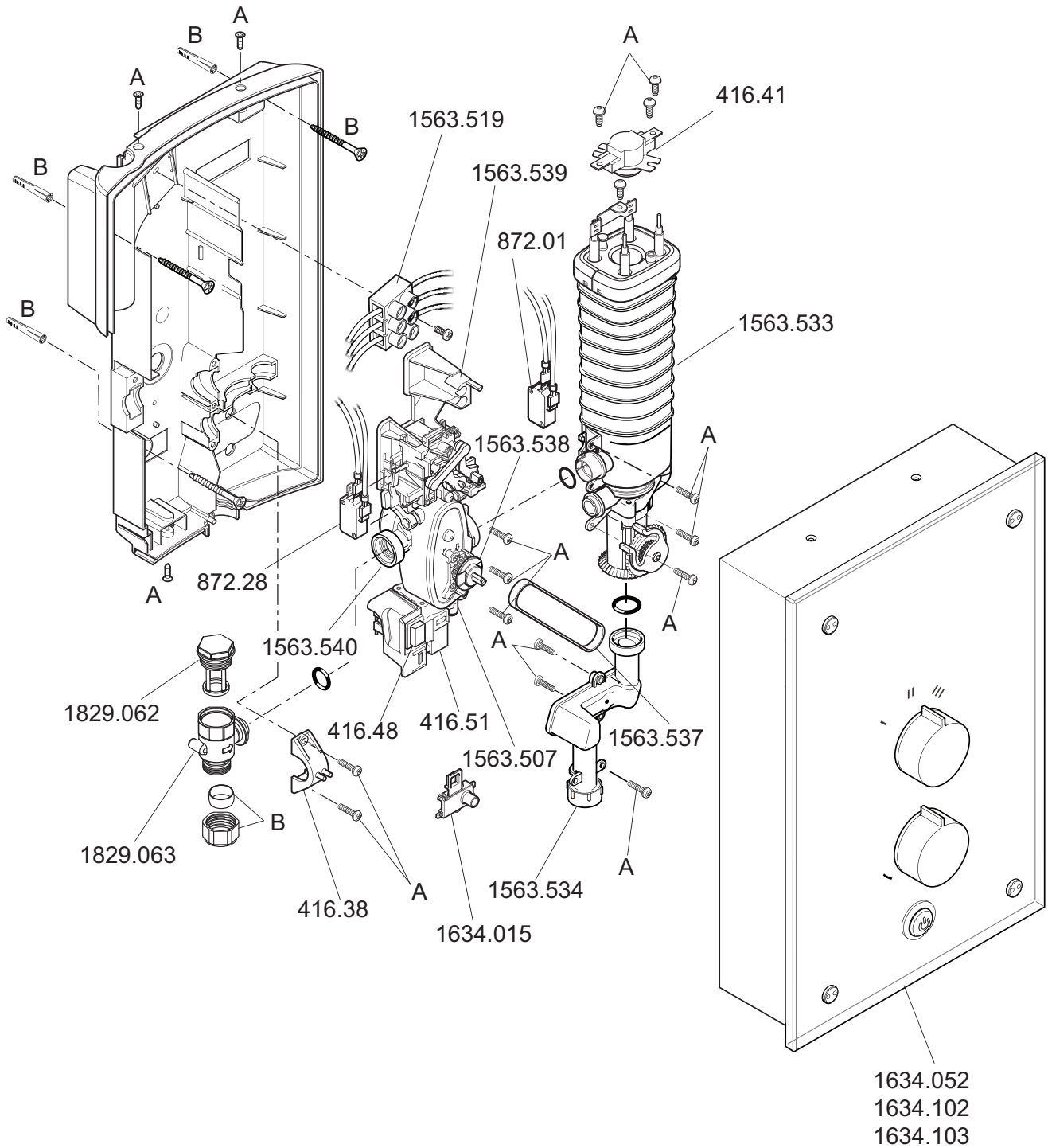


Mira Alero

(2008 - Current J95X, Xb, Xc 9.8kW)

1.1634.040 / 1.1634.080 / 1.1634.081



Mira Alero

(2008 - Current J95X, Xb, Xc 9.8kW)

1.1634.040 / 1.1634.080 / 1.1634.081



| | |
|----------|---|
| 416.38 | Clamp Bracket (Inlet) |
| 416.41 | Thermal Switch |
| 416.48 | Latching Switch |
| 416.51 | Solenoid Coil |
| 872.01 | Microswitch N/O - 2 pin |
| 872.28 | Microswitch C/O - 3 pin |
| 1563.519 | Terminal Block Assembly |
| 1563.533 | Thermostatic Valve/Heater Tank 9.8 kW 240 V AC |
| 1563.534 | Outlet Connector Assembly |
| 1563.537 | Temperature Control Belt Thermostatic |
| 1563.538 | Temperature Cam & Pulley |
| 1563.539 | Switching Assembly |
| 1563.540 | Inlet Valve Assembly |
| 1563.551 | Component Pack - chrome - components identified 'B' |
| 1634.015 | Start/Stop LED Assembly |
| 1634.026 | Screw Pack - components identified 'A' |
| 1634.052 | Cover Assembly - Black Glass |
| 1634.102 | Cover Assembly - White Glass |
| 1634.103 | Cover Assembly - True Mirror |
| 1829.063 | Inlet Connector Assembly |
| 1829.062 | Inlet Filter (with 'O' seal fitted) |

Mira electric showers are provided with a two year warranty and spare parts are available free of charge during that period with a valid proof of purchase. For showers outside of the warranty period, spare parts are available to purchase direct, alternatively we have Mira technicians who can repair your shower for you. For further information visit www.mirashowers.co.uk or to check availability of spare parts for this shower or enquire about our repair service please contact our customer service on **0844 571 5000**.

mira
SHOWERS