

# Mira Adept BIR & Adept BIR+

Mixer Shower



SUITABLE FOR ALL SYSTEMS



5 YEAR WARRANTY

Its simple, uncluttered look delivers a sensational showering performance.



## Product Information

Description	Colour	Product No.
Mira Adept BIR	Chrome	1.1736.405
Mira Adept BIR+	Chrome	1.1736.416



## Features & Benefits

### Temperature control

Thermostatic temperature control makes showering safer for all the family

### Easy to fit

Miniature valve body, plus plastic backplate for easy mounting to wall

Variable valve building in depth between 51mm-70mm

2nd fix tile-mounted showerhead arm

### Easy to service

Large, long-life filters and replaceable cartridge

### For your customer

Separate flow and temperature controls

Mira Magni-flo™ technology delivers up to 3x more flow, even at low pressure

BIR: 1 spray 20cm deluge fixed head with rub-clean nozzles

BIR+: 1 spray 25cm deluge fixed head with rub-clean nozzles

# Product Specification

## Technical Details

### Temperature control

Control type: Thermostatic

### Installation

Water entry points: side only

Inlet connections: 15 mm compression

Outlet connections: 15 mm compression top outlet

Reversed inlets supported: No = hot left, cold right only

### Supply Conditions (hot and cold)

Cold water range: Up to 25°C

Hot water range: 55°C-65°C

Minimum maintained pressure: 0.1 bar (1 metre head)

Maximum maintained pressure: 5.0 bar (50 metre head)

Maximum static pressure: 10.0 bar (100 metre head)

### Performance

Flow rate (at handset): Adept BIR, 11.3 l/min at 0.5 bar; Adept BIR+, 11.2 l/min at 0.5 bar

Temperature stability:  $\pm 2^\circ\text{C}$

### Safety Features

Automatic shutdown: Shutdown within 2 secs

Factory set to safe max temp: Factory set to 43°C

### Approvals

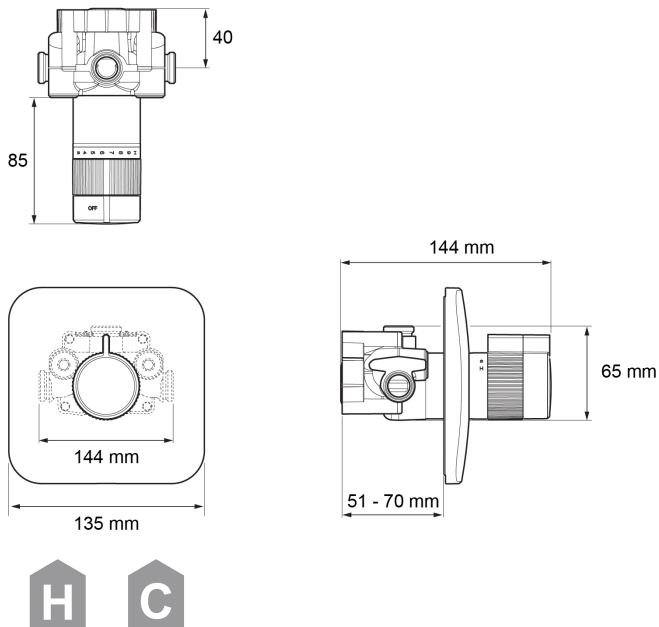
KIWA UK approved product

WRAS approved (Water Regulations Advisory Scheme)

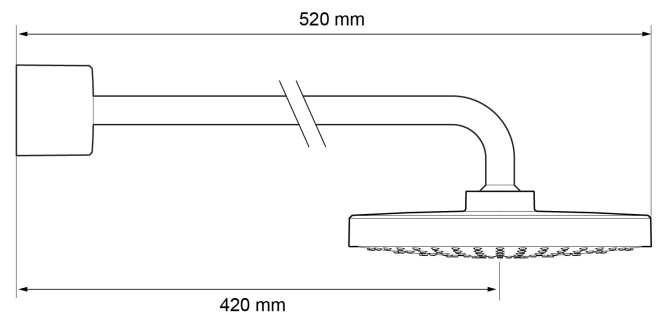
Buildcert TMV2 Approved



## Dimensions



BIR deluge head



BIR+ deluge head

