



MIRA FLIGHT LOW

Central Waste Rectangular Shower Tray

Made from durable resin stone, the Mira Flight Low Central Waste Rectangular shower trays are built to last and include the Mira Rapi-Flo Waste.



Product Information

Description	Upsand	Colour/Finish	Product No.	Riser Kit Product Code
Mira Tray 900x760	4UPS	White Antislip	1.1697.351.WH 1.1697.351.AS	1.1697.033.WH
Mira Tray 1200x900	4UPS	White Antislip	1.1697.490.WH 1.1697.490.AS	1.1697.033.WH
Mira Tray 1200x800	4UPS	White Antislip	1.1697.348.WH 1.1697.348.AS	1.1697.033.WH
Mira Tray 1200x760	4UPS	White Antislip	1.1697.345.WH 1.1697.345.AS	1.1697.033.WH
Mira Tray 1000x800	4UPS	White Antislip	1.1697.456.WH 1.1697.456.AS	1.1697.033.WH
Mira Tray 1000x760	4UPS	White Antislip	1.1697.500.WH 1.1697.500.AS	1.1697.033.WH
Mira Tray 1400x900	4UPS	White Antislip	1.1697.485.WH 1.1697.485.AS	1.1697.034.WH

Specify as: Mira Flight Low Central Waste Rectangular Shower Tray

If Riser Conversion Kit required to change any Flight Low tray to a riser tray, please add appropriate Riser Conversion Kit product code to each specification.

Features & Benefits

Product Features

Acrylic capped resin stone for a tougher product

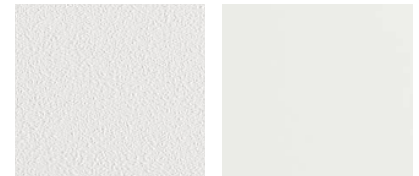
Biocote® built-in anti-microbial protection, reduces bacteria and mould by up to 99%

Includes a Mira Rapi-Flo Waste – Capacity 34 L/min

Optional Riser Conversion Kit to change any Flight Low tray to a riser tray, providing 20 mm adjustability

Available in White only

0UPS and 4UPS versions available



Material

Product Material

Tray: Acrylic capped ABS resin stone

Waste: Polypropylene construction with chrome plated dome

Installation

Product Installation

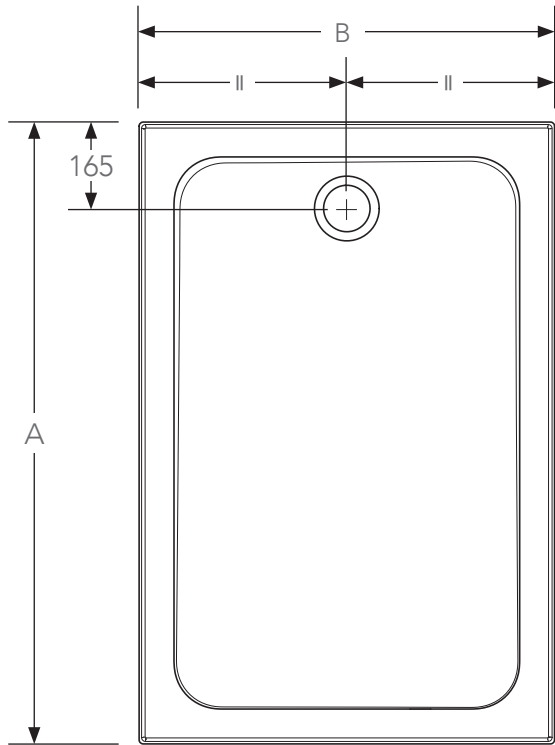
Please refer to the appropriate Installation and User Guide


Codes/Standards

Product Codes/Standards

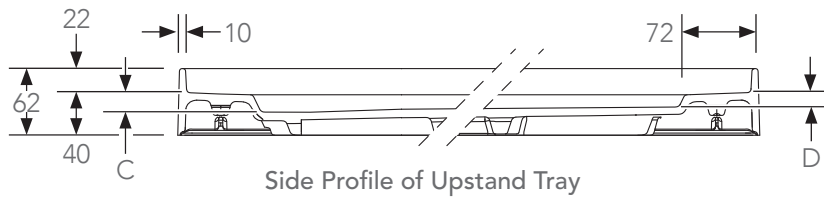
Designed, manufactured and supported in accordance with accredited BS EN 14527:2006+A1:2010 - shower trays for domestic purposes and BS EN 274-1:2002 Waste Fittings for Sanitary Appliances

Dimensions

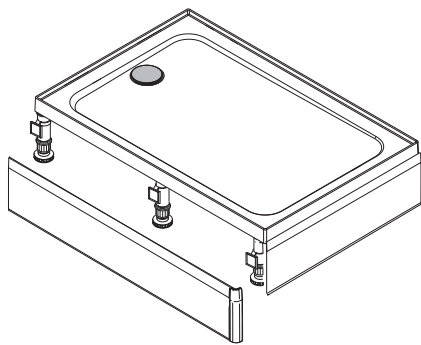


Upstand Tray				
A	B	C	D	
910	770	25	14	9
1010	770	25	12	9
1010	810	25	12	9
1210	770	25	9	11
1210	810	25	9	11
1210	910	25	9	11
1410	910	25	6	13
1410	810	25	6	13
1710	770	25	4	13
1710	910	25	4	13

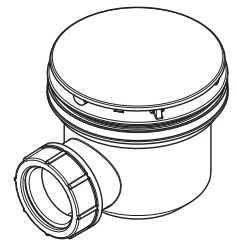
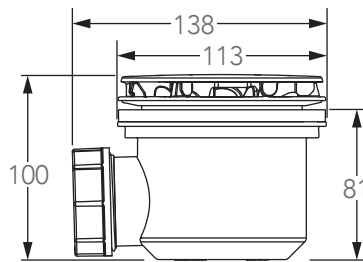
All Dimensions in mm



Side Profile of Upstand Tray



Riser Conversion Kit
(to convert any Flight tray into a riser tray. NB. Tray not included)



Mira Rapi-Flo Waste

Leg Position for Riser Conversion Kit

