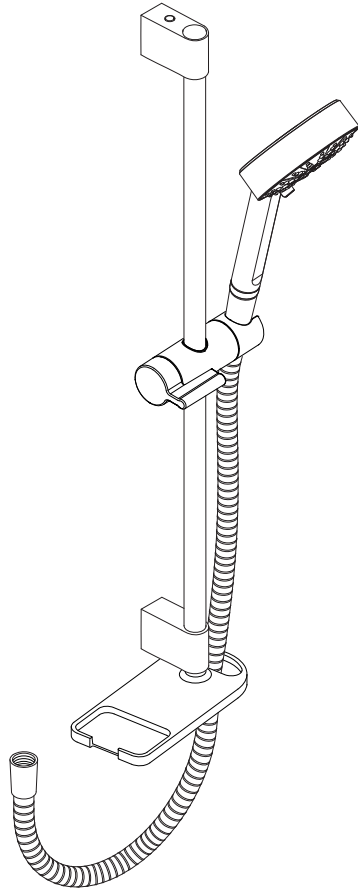
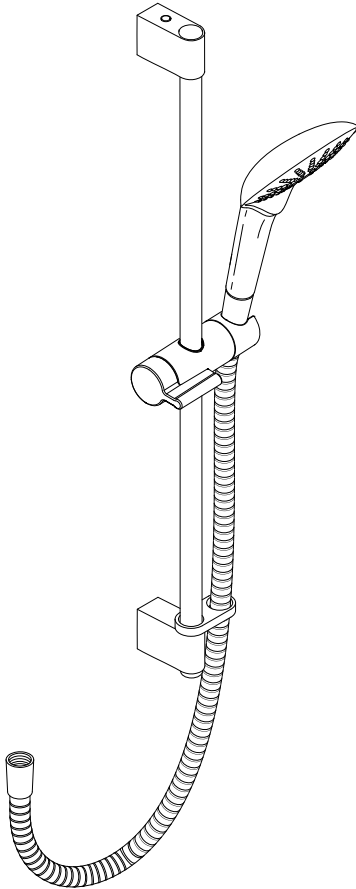


# Mira Shower Fittings (L16J)



**These instructions must be left with the user**

**Installation & User Guide**

*Showering perfection*

***mira***  
SHOWERS

# SPECIFICATION

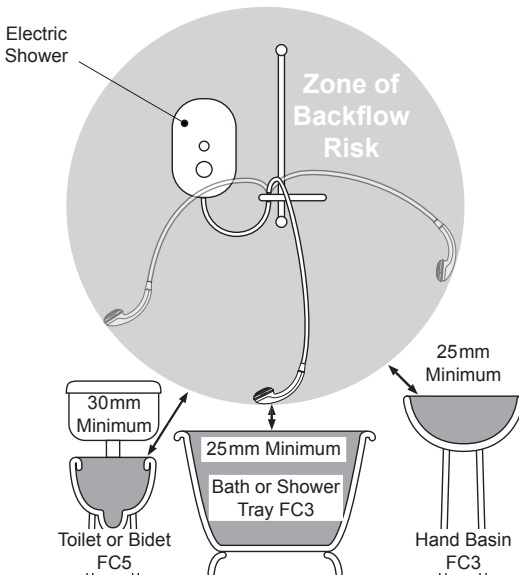
Minimum maintained water pressure: 0.1 bar (10 kPa)

Maximum maintained water pressure: 5.0 bar (500 kPa)

# INSTALLATION

## General

1. Installation of the shower fittings must be carried out in accordance with these instructions by qualified, competent personnel.
2. The plumbing installation must comply with all national or local water regulations and all relevant building regulations, or any particular regulation or practice specified by the local water supply company.
3. The position of the shower fittings must provide a minimum air gap of 25 mm between the showerhead and the spill over level of any bath, shower tray or basin. There must be a minimum distance of 30 mm between the showerhead and the spill over lever of any toilet, bidet or other appliance with a Fluid Category 5 backflow risk.



**Note!** There will be occasions when the hose retaining ring will not provide a suitable solution for Fluid Category 3 installations. In these instances an outlet double checkvalve must be fitted, this will increase the required supply pressure typically by 10 kPa (0.1 bar).

Double checkvalves fitted in the inlet supply to the appliance cause a pressure build up, which affects the maximum static inlet pressure for the appliance and must not be fitted. For Fluid Category 5, double checkvalves are not suitable.

### Hose Retaining Ring fitted and shower fittings fixed at a suitable height preventing dirty water backflow

4. Install the shower fittings over a water catchment area and position so that the water discharges down the centre line of the bath, or across the opening of a shower cubicle. The handset should direct the water away from the shower unit.

5. Do not fit any form of flow control in the outlet pipe work if the shower fittings are installed in conjunction with a product that requires the fittings to act as a vent (e.g. an electric shower).
6. Do not use excessive force when making connections.
7. **Special consideration should be given to the fixing arrangements when installing onto a dry lined, stud partition, shower cubicle or laminated panel wall structures. Installers may wish to obtain alternative proprietary cavity fixings, or choose other options, however, these methods of fixing are beyond the scope of this guide.**  
**Note! An alternative Slide Bar Support Pack is available. Contact our Customer Services team for more details.**

## Installation of the Slide Bar

1. We recommend that the slide bar is installed with the ends flush. Mark the wall fixing positions and drill two holes to suit the wall fixings.  
**Caution! Do not** drill into hidden cables or pipes in the wall.  
**Note!** For a new installation optimum fixing centres are 635mm. Replacement installation fixing centres are 635mm maximum.
2. Fit the wall plugs and the mounting brackets and secure with the wall screws.  
**Note!** Check for vertical alignment before tightening. The mounting brackets are slotted to aid this alignment. Then fully tighten.
3. Fit the clamp bracket (rotate the lever to help with the installation), the hose retaining ring (if applicable) and the slide bar supports to the slide bar.
4. Make sure that the wall screws are flush with the inside edge of the mounting brackets.  
Fit the slide bar supports over the mounting brackets, then adjust the slide bar vertically ensuring an equal length of slide bar protrudes from the top and bottom mounting bracket (or flush with the end of the slide bar for new installations).
5. Remove the slide bar assembly carefully, preventing any further movement between the slide bar and the slide bar supports.
6. Tighten the two slide bar clamping screws no more than half a turn to secure the slide bar supports to the slide bar.  
**Caution!** Over tightening these screws will cause damage.
7. Fit the slide bar assembly over the mounting brackets. Tighten the 2 x M4 screws with the 3mm hexagonal key supplied.  
**Caution! Do not** force assembly on to the mounting brackets, re-align a slide bar support if required.

## Installation of the Soap Dish (if applicable)

1. Loosely secure the taper block into the soap dish with the soap dish screw.
2. Insert the soap dish assembly into the slide bar and tighten the screw.

**Caution! Do not** over tighten.

## Installation of the Showerhead and Hose

1. Fit a hose seal into the conical nut and screw onto the outlet of the shower.

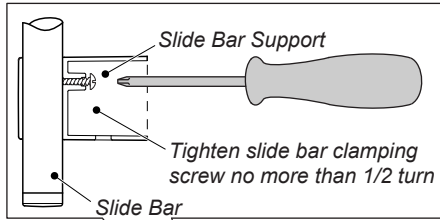
**Caution! Do not** over tighten.

2. Feed the hose through the hose retaining loop of the soap dish or the hose retaining ring.
3. Fit a hose seal into the conical nut and screw onto the showerhead.

**Caution! Do not** over tighten.

4. Place the showerhead into the clamp bracket.

**Note! Do not over tighten the screws**

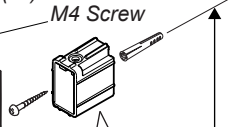


**1841.074 (White)**  
**1841.073 (Chrome)**  
Showerhead

**1703.196**  
Cap (x2)  
M4 Screw

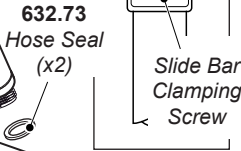
**632.73**  
Hose Seal  
(x2)

**1740.368 (White)**  
**1740.369 (Chrome)**  
Showerhead



For New Installations Centre Distance 635mm  
For Retrofit Installations Centre Distance 635mm Max.

**1740.623 (White)**  
**1740.625 (Chrome)**  
Clamp Bracket



**1703.449 (White)**  
**1703.199 (Chrome)**  
Hose Retaining Ring

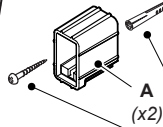
Lever

**632.73**  
Hose Seal  
(x2)

**1703.204**  
Slide Bar (660mm)

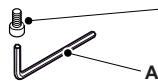
**1603.104**  
Hose (1.25m)

**1740.595 (White)**  
**1740.596 (Chrome)**  
Slide Bar Support (x2)  
(includes screws)



**1703.197**  
Soap Dish

A, B  
(x2)



B  
Taper Block

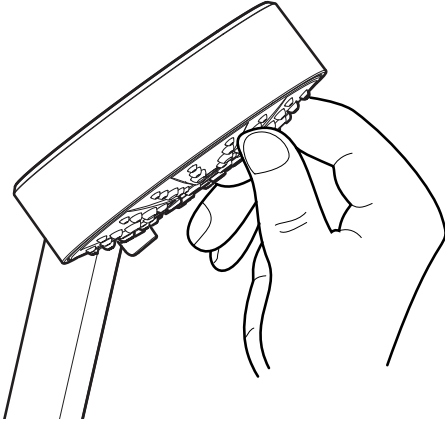
**1703.194** Mounting Pack - 'A'  
**1740.381** Component Pack - 'B'

# USER MAINTENANCE

---

## De-scaling the Showerhead

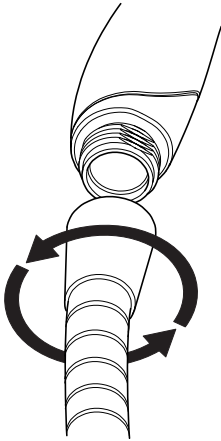
**Important!** Keeping the showerhead clean and free from limescale will ensure that your shower and showerhead continue to perform to their maximum. A blocked showerhead can restrict the flow rate and may cause damage to your shower.



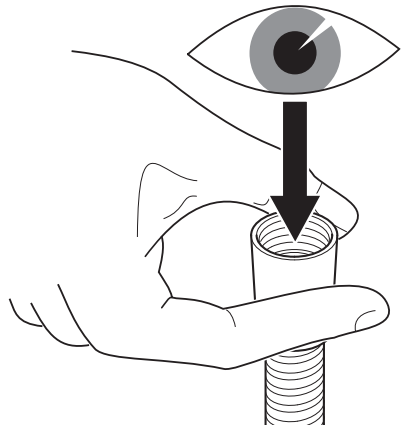
Use your thumb or a soft cloth to wipe any limescale from the nozzles

## Inspecting the hose

**Important!** The shower hose should be inspected periodically for damage or internal collapse, internal collapse can restrict the flow rate from the showerhead and may cause damage to the shower. Remove the shower hose from the shower, inspect and replace the hose if necessary.



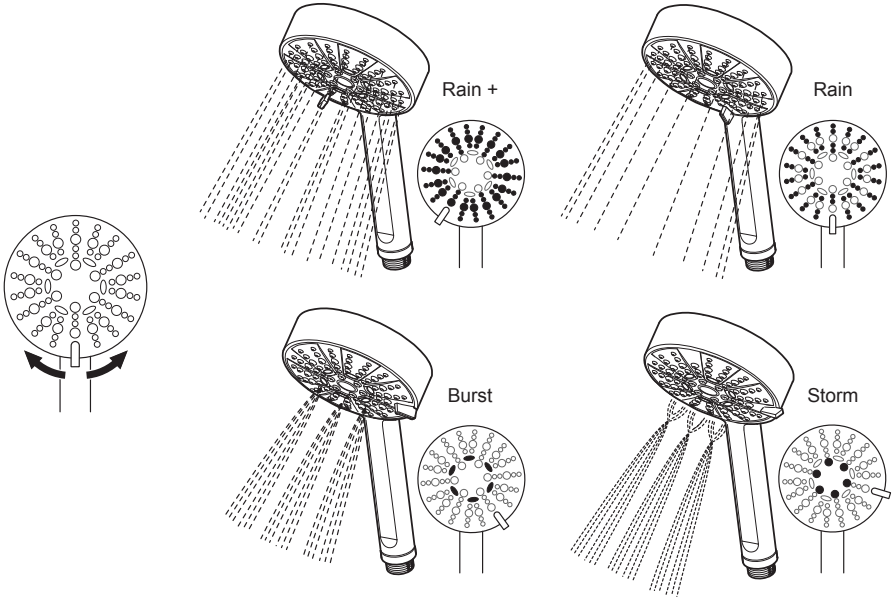
Inspect the hose.



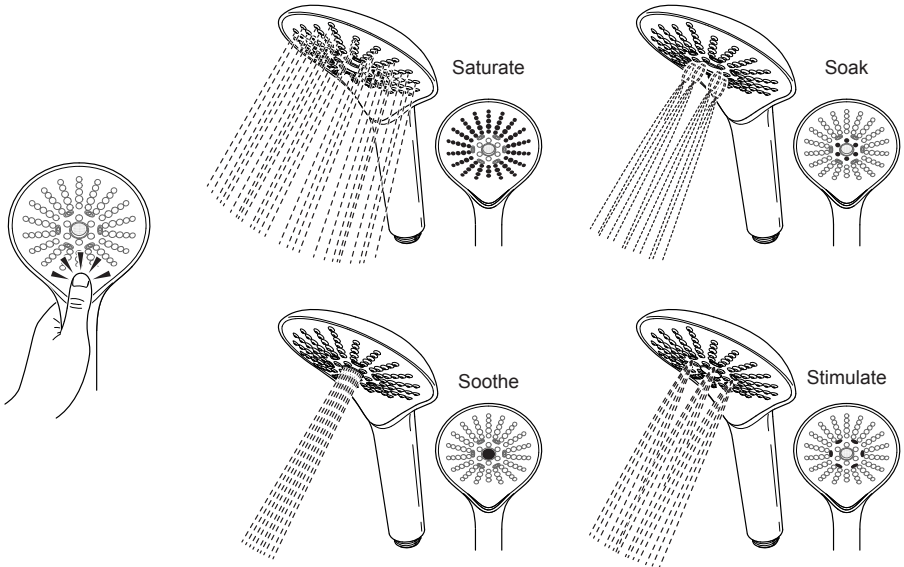
Unscrew the hose from the showerhead and the shower outlet.

# SPRAY MODES

---



When adjusting the shower spray mode, **do not** force the lever as product damage will occur.



Click once to adjust to each spray mode.

# CUSTOMER SERVICE

## Guarantee

Your product has the benefit of our manufacture's 1 year guarantee which starts from date of purchase. This guarantee only applies in the United Kingdom and Republic of Ireland. Within the guarantee period we will resolve defects in materials or workmanship, free of charge, by replacing parts or product as we may choose.

**This guarantee is in addition to your statutory rights and is subject to the following conditions :**

- The product must be installed and maintained in accordance with the instructions given in this user guide.
- Replacement under this guarantee does not extend the original expiry date .
- The guarantee on any replacement parts or product ends at the original expiry date.

**The guarantee does not cover:**

- Non product faults (such as damage or performance issues arising from incorrect installation, improper use, inappropriate cleaning, lack of maintenance, build up of limescale, frost damage, corrosion, chemical attack, system debris or blocked filters) or where no fault has been found with the product.
- Accidental or wilful damage.
- Compensation for loss of use of the product or consequential or indirect loss of any kind.
- Damage or defects caused if the product is repaired or modified by persons not authorised by us or our appointed representative.

## What to do if something goes wrong

If your product does not function correctly when you first use it, check that it is installed and commissioned in accordance with the instructions in this manual. If this does not resolve the issue, contact us for help and advice.



### Helpdesk Service

Our Customer Services Team is comprehensively trained and can offer help and advice, spare parts and accessories. We will need you to have your model name or number and date of purchase. Please provide your model name and date of purchase.



### Mira Showers Website ([www.mirashowers.co.uk](http://www.mirashowers.co.uk))

From our website you can download additional user guides, diagnose faults, purchase our full range of accessories and popular spares and refer to our FAQ's



## Spares and Accessories

We hold the largest stocks of genuine Mira spares and accessories. Contact us for a price or visit our website to purchase items from our accessory range and popular spares. (Only available in the United Kingdom )

### To Contact Us: UK



**0844 571 5000**

Calls cost 7p per minute plus your phone company's access charge



**Fax: 01242 282595**



Email

[www.mirashowers.co.uk/contactus](http://www.mirashowers.co.uk/contactus)



By Post:

**Mira Customer Services Dept, Cromwell Road,  
Cheltenham, Gloucestershire GL52 5EP**

### To Contact Us: Eire Only



**01 531 9337**



E-mail:

[CustomerServiceEire@mirashowers.com](mailto:CustomerServiceEire@mirashowers.com)

*Mira is a registered trade mark of  
Kohler Mira Limited.*

*The company reserves the right to alter  
product specifications without notice.*

