

## USER MAINTENANCE

### Cleaning

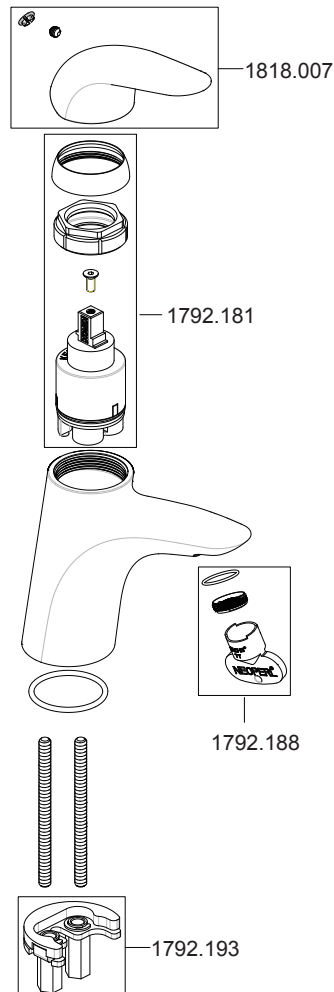
Many household cleaners contain abrasives and chemical substances, and should not be used for cleaning plated or plastic fittings. These finishes should be cleaned with a mild washing up detergent or soap solution, and then wiped dry using a soft cloth.

## SPECIFICATION - PRESSURES

Minimum maintained pressure: 0.1 bar (10 kPa) - Maximum maintained pressure: 5.0 bar (500 kPa)

## SPARE PARTS

Basin Monobloc



## CUSTOMER SERVICE

### Guarantee

Your product has the benefit of our manufacture's guarantee which starts from date of purchase.

To activate this guarantee, please return your completed registration card, visit our website or free phone 0800 0731248 within 30 days of purchase (UK only).

Within the guarantee period we will resolve defects in materials or workmanship, free of charge, by replacing parts or product as we may choose.

### This guarantee is in addition to your statutory rights and is subject to the following conditions :

The guarantee applies solely to the original installation under normal use and to the original purchaser only. The product must be installed and maintained in accordance with the instructions given in this guide. Replacement under this guarantee does not extend the original expiry date. The guarantee on any replacement parts or product ends at the original expiry date.

### The guarantee does not cover:

Non product faults (such as damage or performance issues arising from incorrect installation, improper use, inappropriate cleaning, lack of maintenance, build up of limescale, frost damage, corrosion, system debris or blocked filters) or where no fault has been found with the product.

Water or electrical supply, waste and isolation issues.

Compensation for loss of use of the product or consequential loss of any kind.

General wear and tear.

Accidental or wilful damage.

Products purchased ex-showroom display.

### What to do if something goes wrong

If your product does not function correctly when you first use it, check that it is installed and commissioned in accordance with the instructions in this manual.

If this does not resolve the issue, contact us for help and advice.

### Helpdesk Service

Our Customer Services Team is comprehensively trained and can offer help and advice, spare parts and accessories.

We will need you to have your model name or number and date of purchase.

### Mira Showers Website (www.mirashowers.co.uk)

From our website you can download additional user guides, diagnose faults, purchase our full range of accessories and popular spares and refer to our FAQ's.

### Spares and Accessories

We hold the largest stocks of genuine Mira spares and accessories.

Contact us for a price or visit our website to purchase items from our accessory range and popular spares.

### To Contact Us

UK

Telephone: 0844 571 5000

Email – Visit [www.mirashowers.co.uk/contactus](http://www.mirashowers.co.uk/contactus)

Fax: 01242 282595

By Post: Mira Customer Services  
Dept, Cromwell Road, Cheltenham,  
Gloucestershire GL52 5EP

### To Contact Us: Eire Only

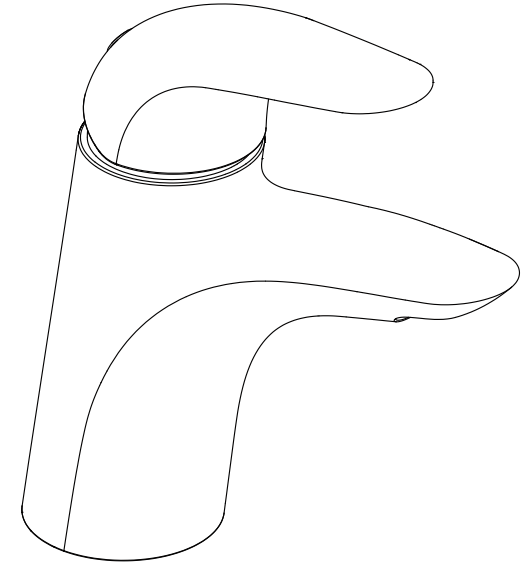
Telephone: 01 459 1344

Fax: Dublin 01 459 2329

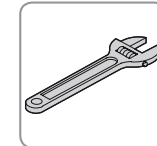
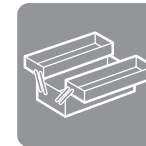
E-mail: [sales@modernplant.ie](mailto:sales@modernplant.ie)

Modern Plant Ltd (Dublin),  
Otter House, Naas Road, Clondalkin,  
Dublin 22

## Mira Comfort Taps



## TOOLS REQUIRED



## GENERAL

Make sure that the item is installed by a competent installer. Shut off the main water supply.

The installation must comply with the "Water Supply Regulations 1999 (Water Fittings)" or any particular regulations and practices specified by the local water company or water undertakers.

These instructions must be left with the user

Mira is a registered trade mark of Kohler Mira Limited.

The company reserves the right to alter product specifications without notice.

[www.mirashowers.co.uk](http://www.mirashowers.co.uk)

**mira**  
SHOWERS

Installation and User Guide

*Showering perfection*

**mira**  
SHOWERS

## PATENTS

Patent Application:	GB 12116602.1
Design Registration:	001352462

## GUARANTEE

### Guarantee

The Mira Comfort has been designed for domestic use only, Mira Showers guarantee the Mira Comfort against any defect in materials or workmanship for a period of **five** years from the date of purchase.

For non-domestic installations, Mira Showers guarantee the Mira Comfort against any defect in materials or workmanship for a period of **one** year from the date of purchase.

For terms and conditions, refer to the back cover of this guide.

Recommended Usage	
Domestic	✓
Light Commercial	✓
Heavy Commercial	✗
Healthcare	✗

## INSTALLATION

### Basin Monobloc

Water supplies shall be at reasonably balanced pressures from a common source (e.g. hot and cold supplies both from the same storage or both from a supply pipe). Where the fitting is supplied from unbalanced supplies (e.g. hot and cold supplies from separate sources) an **'Approved' single check valve** or some other no less effective backflow prevention device shall be fitted immediately upstream of both hot and cold water inlets.

