

## Wall frame with 3/6L cistern

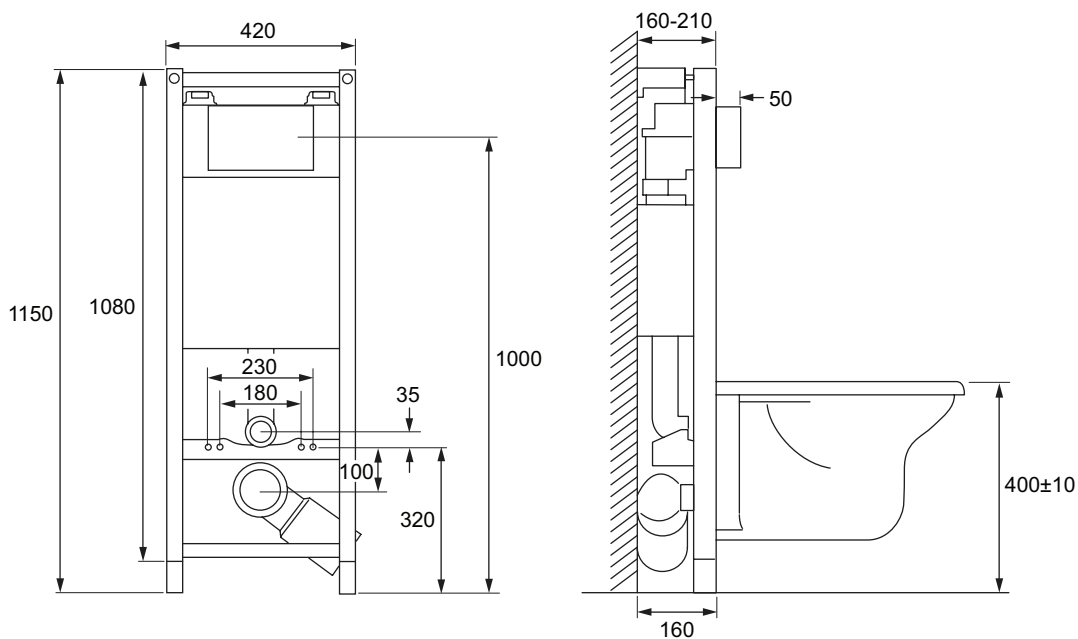
E4313

<b>Product Description:</b>	Wall frame with 3/6L cistern
<b>Required Items:</b>	8848K-CP Flush plate Wall hung WC
<b>Product Dimensions:</b>	W420 x H1150 x D160-210 mm
<b>Material:</b>	Painted tubular
<b>Product Weight (kg):</b>	13
<b>Guarantee (Years):</b>	10
<b>Fixings Included:</b>	Yes



**Additional Information:** Installation in masonry or plasterboard walls.

## Dimensions (mm)



Further information on page 2

## Kohler UK

Sales and Technical: +44 (0) 844 571 0048

info@kohler.co.uk

www.KOHLER.co.uk

THE BOLD LOOK  
OF **KOHLER**®

Wall frame with 3/6L cistern

E4313

**CISTERN:**

- Dual flush mechanical actuated
- Polyethylene (PEHD) cistern highly resistant and inalterable to thermal stress
- 120 mm thickness
- Easy installation
- Easy access for maintenance
- Volume adjustment with ring on the outlet valve
- Anti-condensation EPS - Polysterene cover plate
- CE EN 14055 marking CL1
- Flushes volumes 3 litres (half flush) and 6 litres (full flush)
- Working pressure from 0.2 up to 20 bar
- Resistance to atmospheric humidity (Hr <90%)

**PROPERTIES:**

- Height regulation of the adjustable floor brackets (0-200 mm)
- Depth regulation of the adjustable discharge pipe bend
- Easy fastening system

**FIXING ACCESSORIES****for toilet bowl mounting on the structure:**

- 2 Threaded rods M12 with 200mm length
- 2 Nuts M12
- 2 Protection for threaded rod
- 2 Protection cover
- 2 Toilet centering washer
- 2 Washers Zn ø 34

**Kohler UK**

Sales and Technical: +44 (0) 844 571 0048

info@kohler.co.uk

www.KOHLER.co.uk

THE BOLD LOOK  
OF **KOHLER**®