

Features

- Fits in the small bowl of the K-6625 Iron/Tones Smart Divide® kitchen sink.
- Helps protect sink surface from daily wear.
- Innovative wheels around the perimeter provide a secure fit and reduce debris buildup.
- Dishwasher safe.

Material

- Durable stainless steel construction.



Codes/Standards

None Applicable


KOHLER® One-Year Limited Warranty

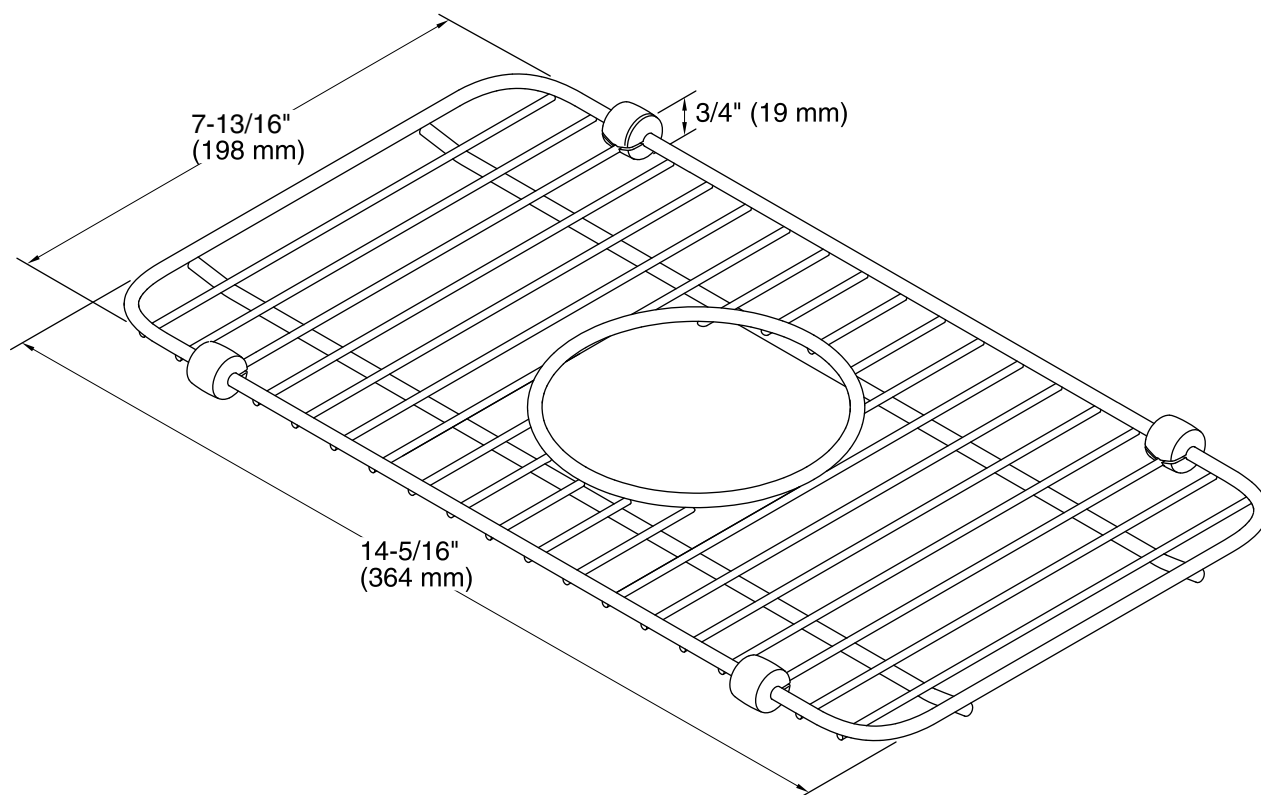
See website for detailed warranty information.

Available Color/Finishes

Color tiles intended for reference only.

Color	Code	Description
-------	------	-------------

	ST	Stainless Steel
--	----	-----------------



Technical Information

All product dimensions are nominal.