

## Features

- Textured glass basin in an elevated plate shape.
- No faucet holes; requires wall- or counter-mount faucet.
- Vessel installation
- Ample area allows for ease of use; creates a sense of grandeur in a bath or powder room

## Material

- Glass

## Installation

- Above-counter

## Required Accessories

K-7108 Decorative Drain

or

K-7107 Decorative Drain

or

K-7129 Drain

## Components

Additional included component/s: Drain Gasket Kit - 1070246.



ADA

CSA B651

OBC

## Codes/Standards

CSA B45.11/IAPMO Z401

CSA B45.5/IAPMO Z124

ADA

ICC/ANSI A117.1

CSA B651








OBC

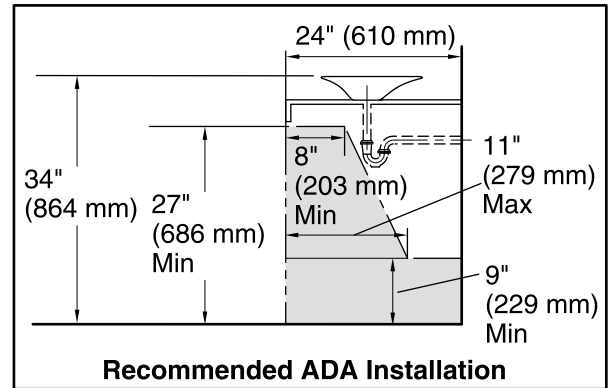
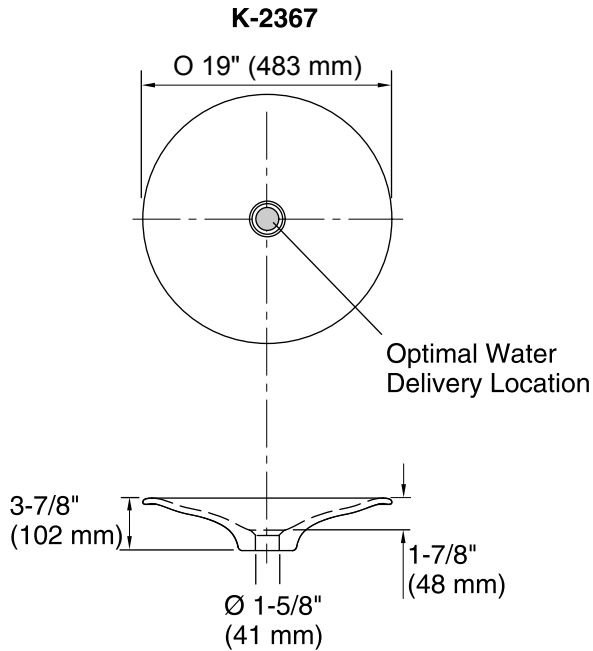
## KOHLER® One-Year Limited Warranty

See website for detailed warranty information.

## Available Color/Finishes

*Color tiles intended for reference only.*

Color	Code	Description
	B11	Ice
	TG1	Translucent Dusk
	TG2	Translucent Dew
	TG3	Translucent Doe
	TG6	Translucent Sapphire
	TG7	Translucent Sandalwood
	TG8	Translucent Stone



## Technical Information

All product dimensions are nominal.

Bowl configuration: Single

Installation: Above-counter

Bowl area  
Diameter: 18-7/8" (479 mm)  
Bowl depth: 1-13/16" (46 mm)  
Water depth: 1-13/16" (46 mm)

## Notes

Install this product according to the installation instructions.

ADA, OBC, CSA B651 compliant when installed to the specific requirements of these regulations.