

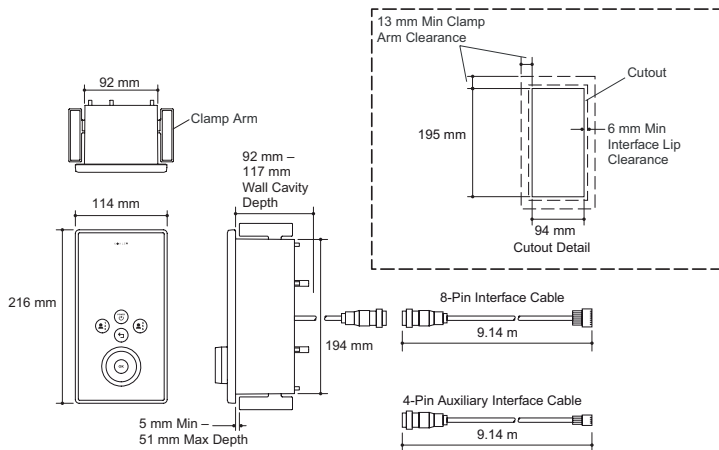
DTV™ Digital Interface

Utilising cutting edge technology to control up to eight showerheads, hand showers and bodyjets, the DTV offers a truly unique and simple to use home-spa showering experience. With pre-defined massage and temperature programmes and six personalised memory settings, it can also be configured to personal preferences. The streamlined digital interface can be installed inside or outside of the showering space using either a portrait or landscape orientated Digital Interface for maximum installation possibilities. An auxiliary Digital Interface enables the user to activate the programme before entering the shower from a different location outside of the showering space.



<b>Product</b>	683W DTV™ Digital Interface, landscape 684W DTV™ Digital Interface, portrait
<b>Colours/finishes</b>	Satin Chrome with polished chrome accents (-1CP)
<b>Material</b>	Polycarbonate
<b>Required Accessories</b>	682W-K DTV™ Thermostatic mixer valve
<b>Optional Accessories</b>	685W DTV™ Auxiliary Digital Interface Landscape - Satin Chrome with polished chrome accents (-1 CP)  686W DTV™ Auxiliary Digital Interface Portrait - Satin Chrome with polished chrome accents (-1 CP)
<b>Complimentary Items</b>	8002W WaterTile™ 54 nozzle Bodyspray - Chrome (-CP) 8002W WaterTile™ 54 nozzle Bodyspray - Brushed Chrome (-G) 8003W WaterTile™ 22 nozzle Bodyspray - Chrome (-CP) 8003W WaterTile™ 22 nozzle Bodyspray - Brushed Chrome (-G) 8022W WaterTile™ 54 nozzle Showerhead - Chrome (-CP) 8022W WaterTile™ 54 nozzle Showerhead - Brushed Chrome (-G) 8023W WaterTile™ 22 nozzle Showerhead - Chrome (-CP) 8023W WaterTile™ 22 nozzle Showerhead - Brushed Chrome (-G)
<b>Electrical Connections</b>	Plug-in to mixer valve using cable provided with 682W-K
<b>IP Rating</b>	IP47
<b>Approvals</b>	BEAB
	To order, please use the product code and add the colour/finish reference, eg. -1CP for Chrome

Dimensions



Install this product according to the Installation Guide.

Wall sleeve will accommodate finished wall thickness of 0.5 - 5 cm.

End wall installation requires a 2 x 6 wall construction.

All measurements shown are in millimetres. Sizes are approximate.

P5725

DTV™ Digital Interface



**Performance Showering**

Up to 8 water outlets (6 separate circuits) with no need for additional divertors. Massage and temperature based programs easily selectable by user.

Standard shower configurations:

- Surround
- Envelop
- Unwind
- Frontage
- Downpour
- Linear
- Full customisation also available

**Easy to Use**

Touch sensitive controls, magnetic dial control and display screen allow simple access to all features.

Up to 6 user presets give simple touch access to favourite experiences (combinations of outlets and programmes).

Optional auxiliary interface gives full control from remote location, allowing user to select desired experience prior to entry into the showering area.

**Safety and Hygiene**

High-temperature limit setting for added safety.

Removable Magnetic Control allows user to easily clean one-piece interface.