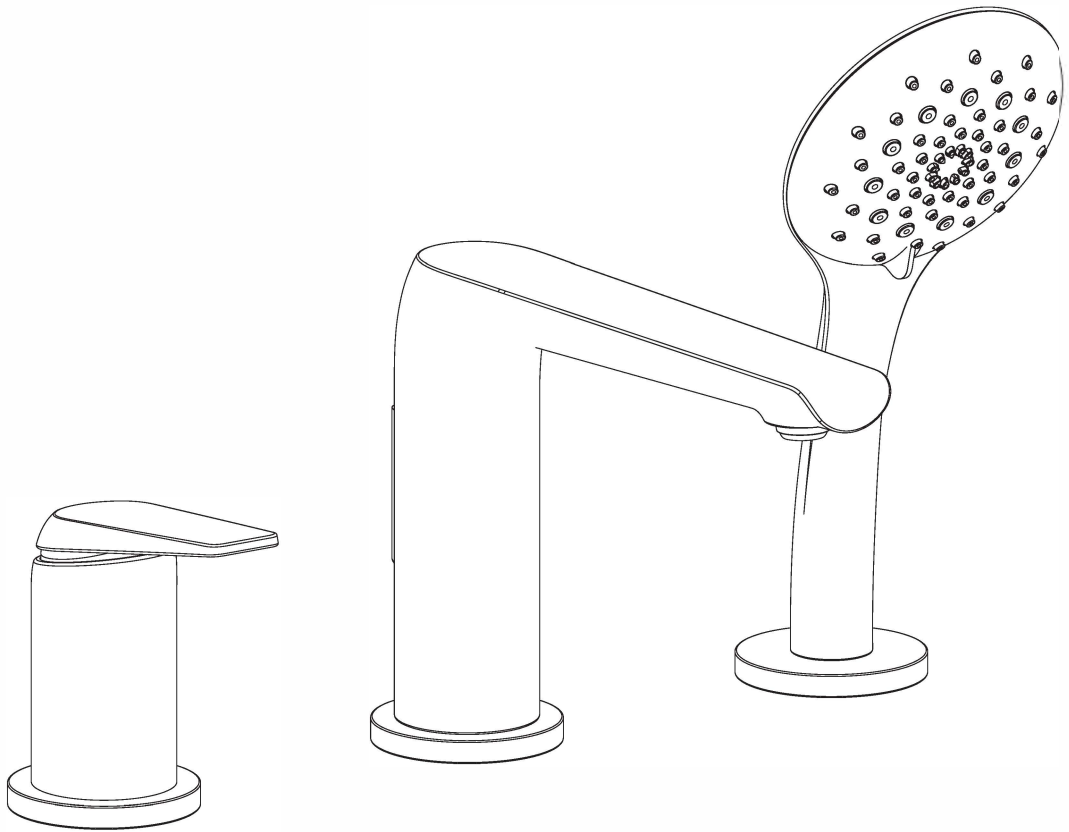
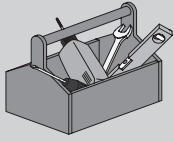


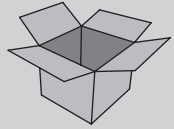
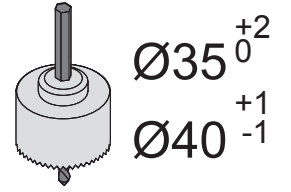
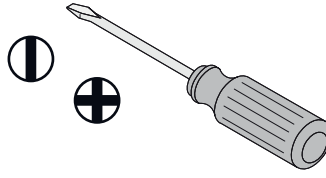
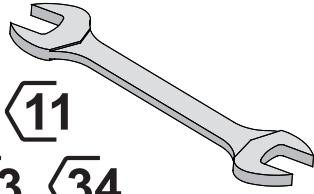
KOHLER®



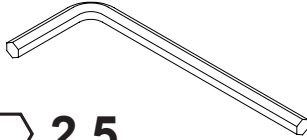
AVID



10 11
13 23 34



2.5



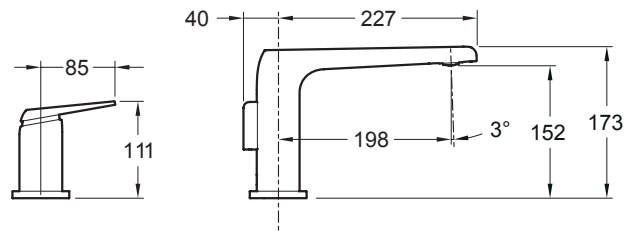
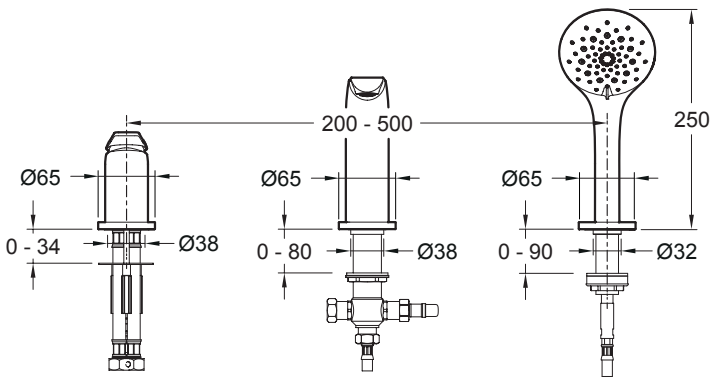
Bar

0.5 < 3 < 6



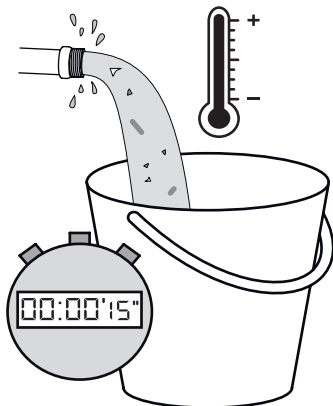
°C

55 < 60 < 65

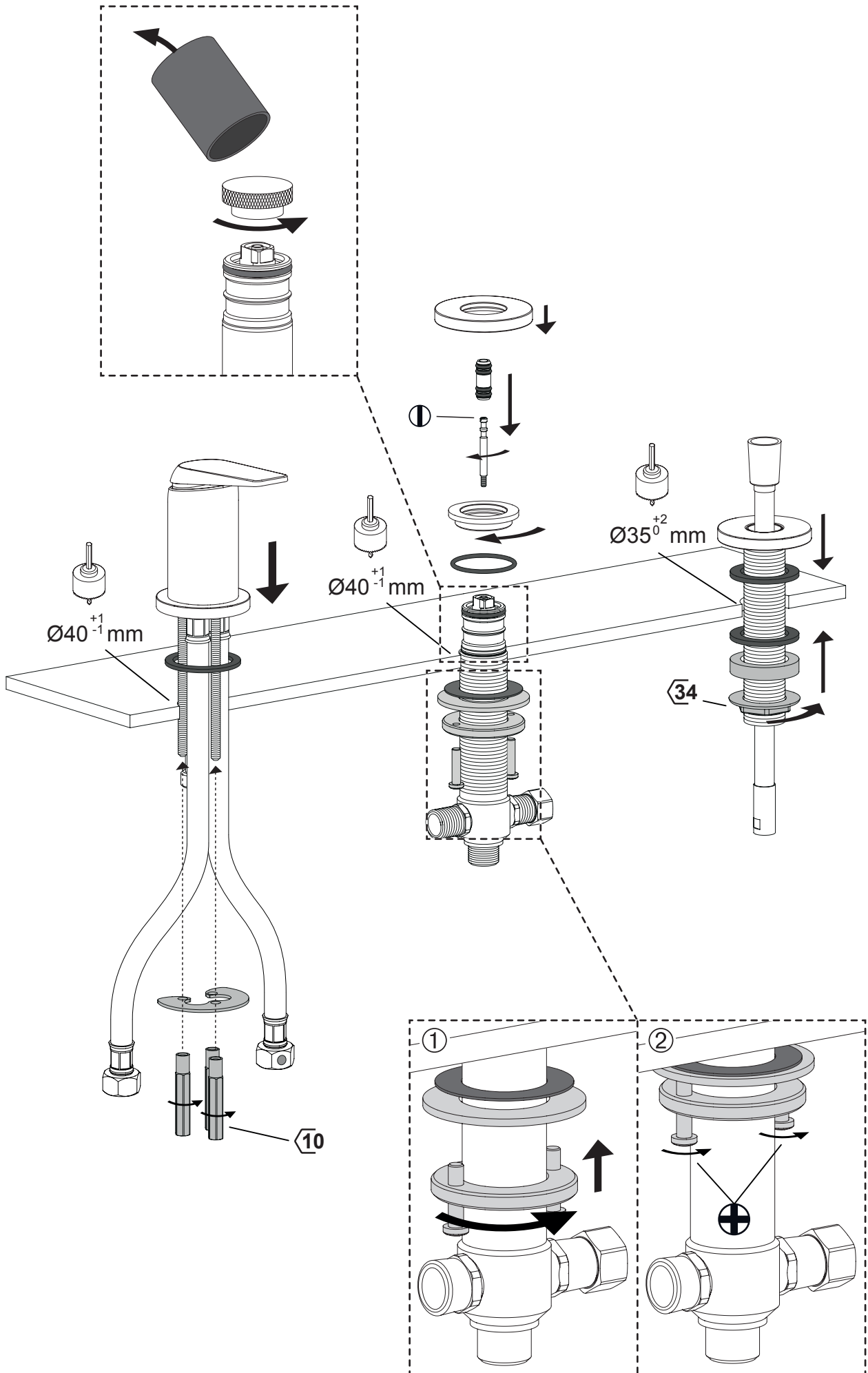


97360D-**

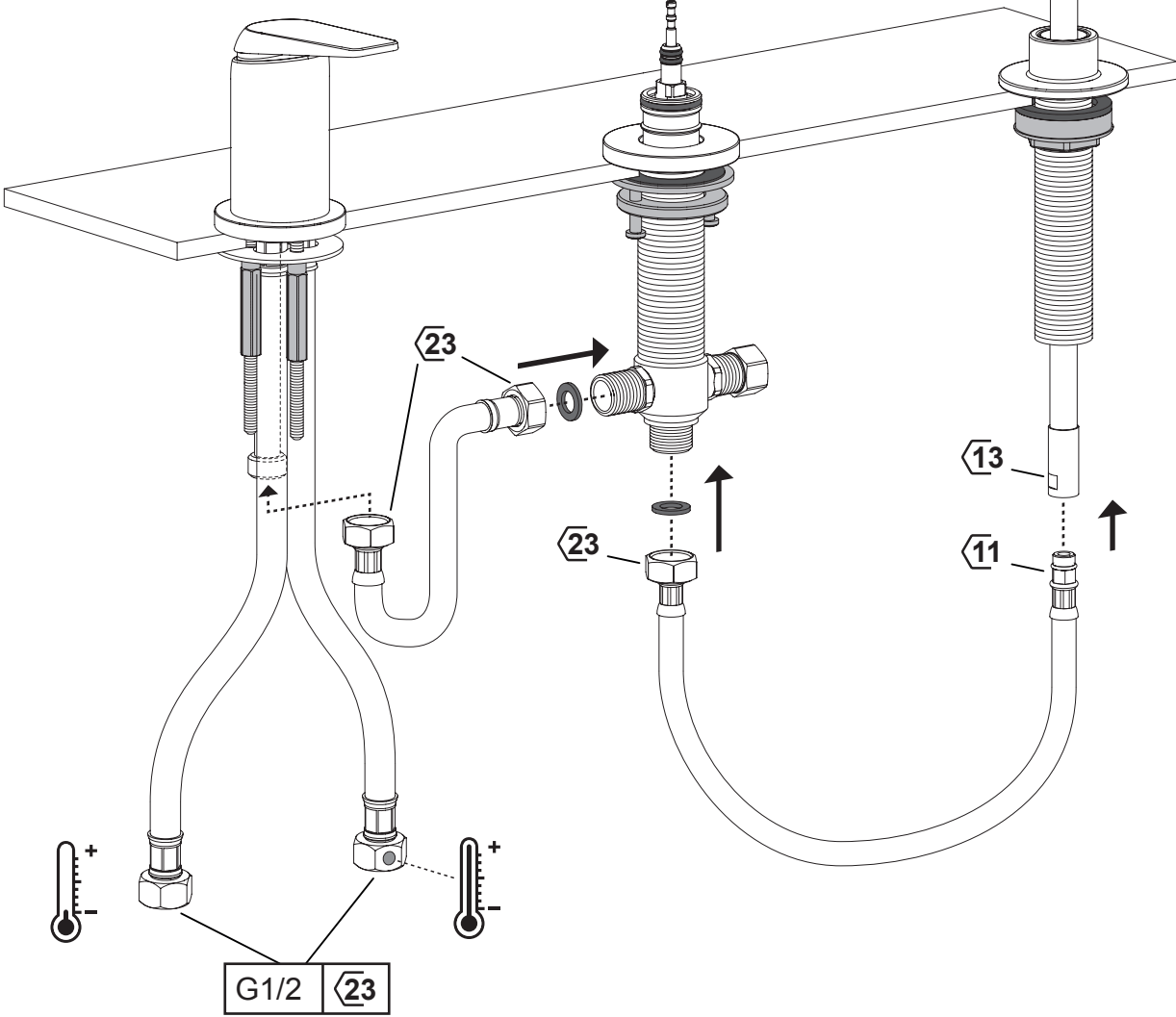
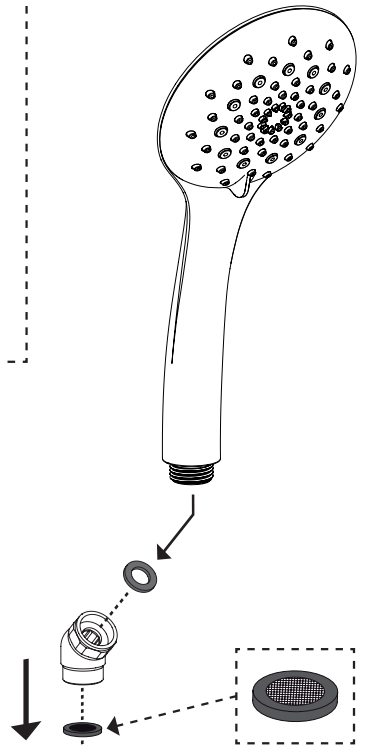
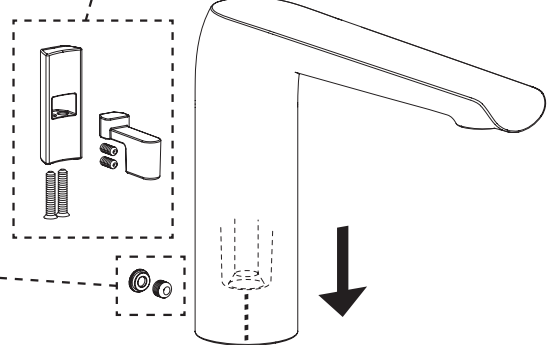
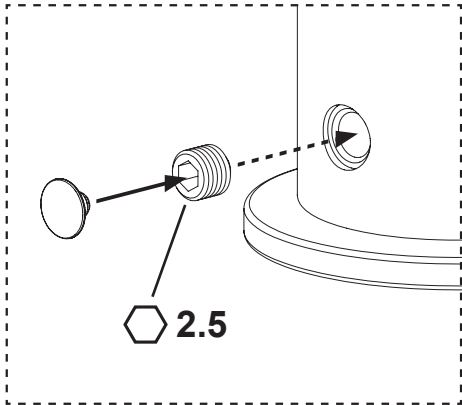
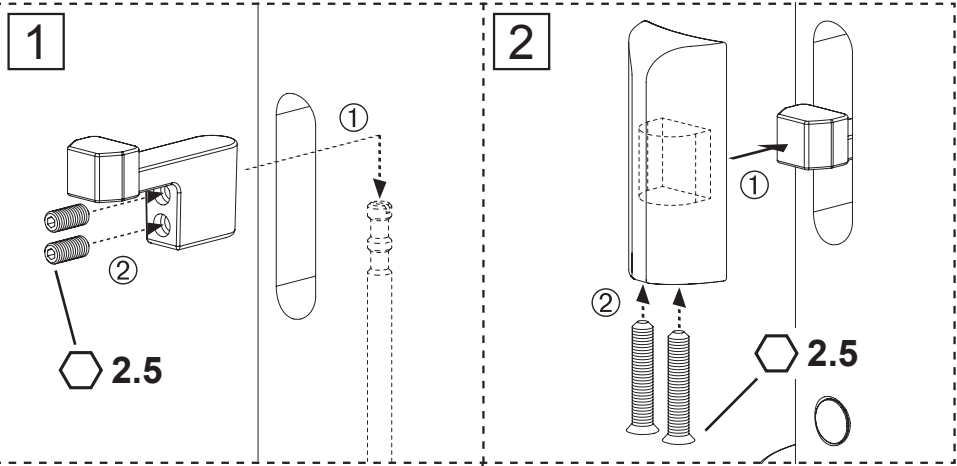
1



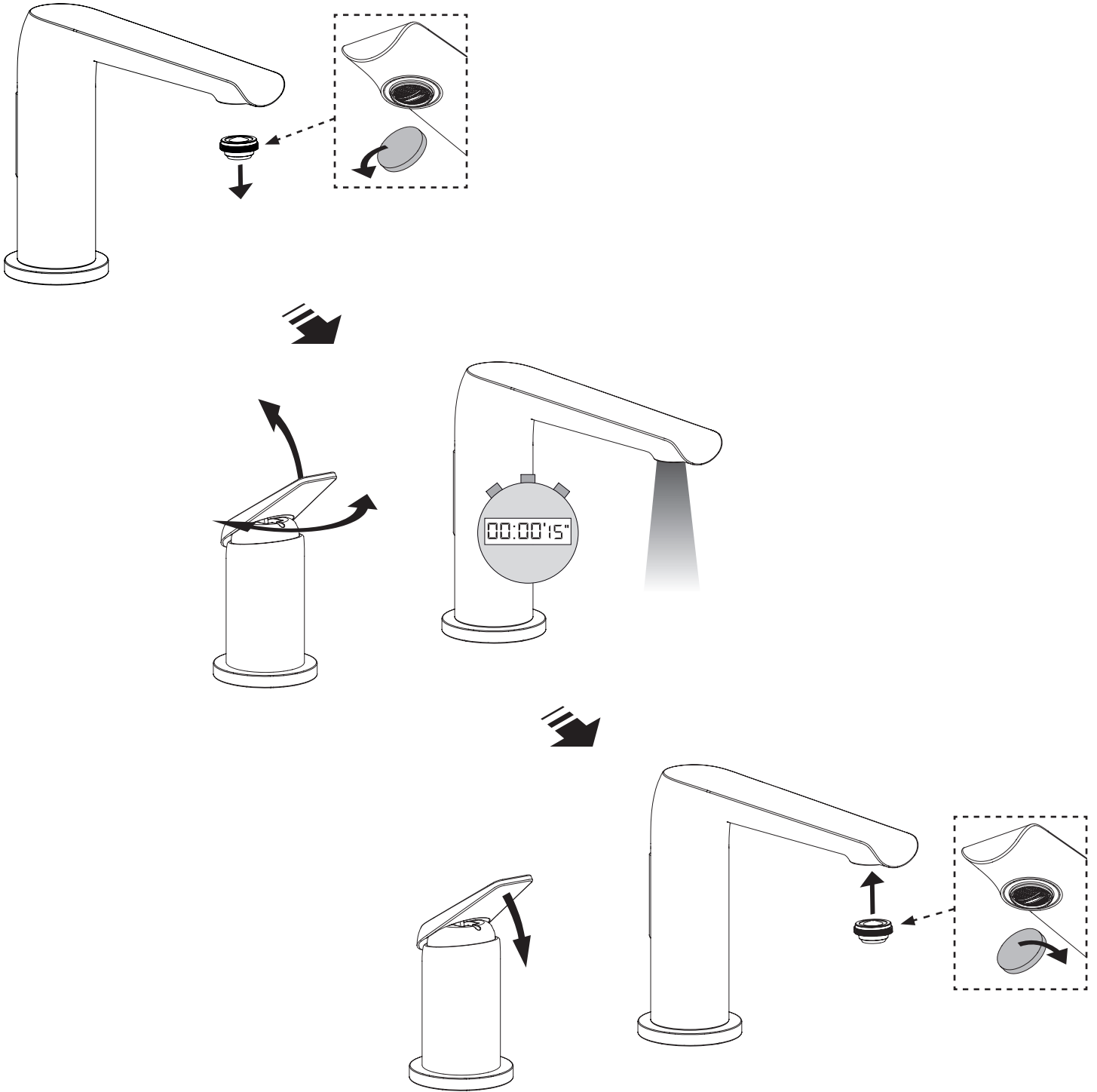
2

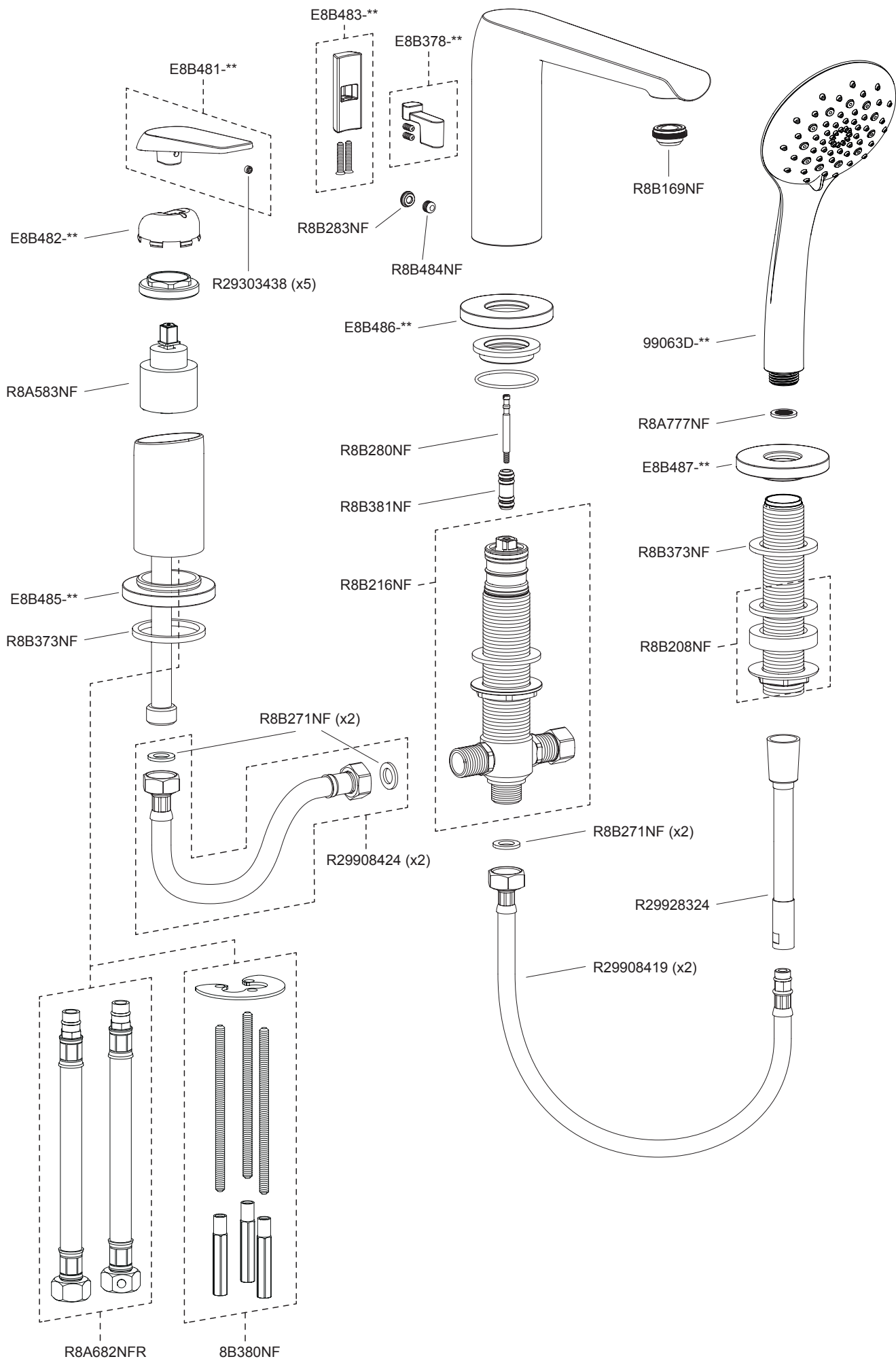


3



4





KOHLER®