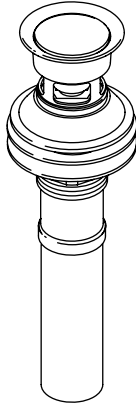


KOHLER®



Pop-up Clicker Drain Installation and User Guide

MODEL NUMBERS

7124W-A

Important! Please quote the above model number(s) when ordering spares

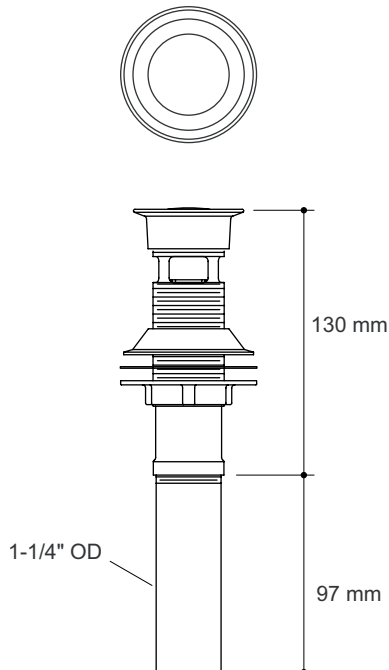
IMPORTANT

INSTALLER: THIS MANUAL IS THE PROPERTY OF THE CUSTOMER AND MUST BE RETAINED WITH THE PRODUCT FOR MAINTENANCE AND OPERATIONAL PURPOSES.

CONTENTS

Dimensions	2
Installation	3
Before you Begin	3
Install the Drain	3
Install the Adaptor or Tailpiece	4
User Maintenance	5
Cleaning	5
Service Your Drain.....	5
Spare Parts	6
Notes	7
Customer Care	Back Page

DIMENSIONS



All dimensions in mm

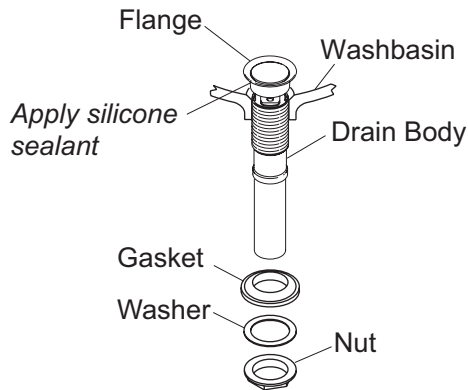
1074769-W2-A

INSTALLATION

Before you Begin

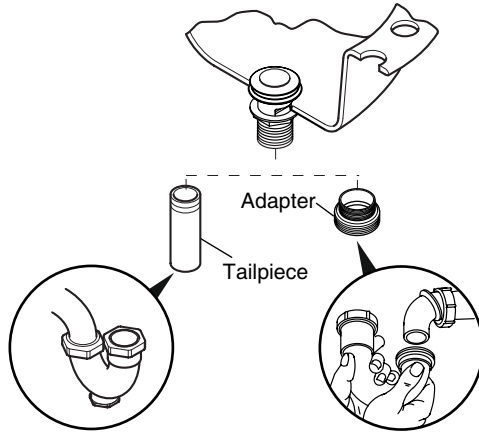
1. Make sure that the mixer is installed by a competent installer.
2. Turn off the water supply.
3. The plumbing installation must comply with Building Regulations or any particular regulations and practices, specified by the local water company or water undertakers.
4. Install the mixer before installing the basin.

Install the Drain



1. If present, remove the protective plastic cap from the drain and discard.
2. Remove the nut, washer and gasket from the drain body.
3. Apply a bead of plumbers putty or other sealant around the underside of the flange according to the sealant manufacturer's instructions.
4. Close the drain and rotate the drain body until the "KOHLER" logo is positioned horizontally.
5. Insert the drain into the drain hole and press into place.
6. Slide the gasket (tapered side up) onto the drain body.
7. Slide the washer over the threads on the drain body.
8. Thread the nut up the drain body until snug against the underside of the washbasin. Make sure that you do not rotate the drain when tightening the nut.
9. Using a suitable spanner, tighten the nut.
10. Install the adaptor or tailpiece, refer to section: '**Install the Adaptor or Tailpiece**'.
11. Remove any excess putty or sealant.

Install the Adaptor or Tailpiece



Note! For certain configurations of drains, you will not be able to use the tailpiece to connect to your pipework. An adapter is packed with the product to enable you to connect to your waste pipe.

1. Depending on your configuration apply a suitable sealant to the adapter or tailpiece and thread it into the drain body.
2. Make the plumbing connections.

USER MAINTENANCE

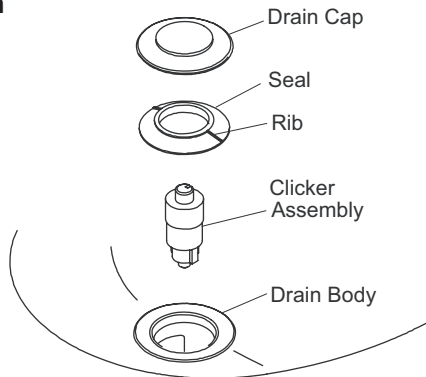
Cleaning

Caution! Risk of product damage.

Many cleaners contain abrasive and chemical substances, and should not be used for cleaning stainless steel, enamel, plated or plastic fittings.

These finishes should be cleaned using a mild washing up detergent or soap solution, rinsed and then wiped dry with a soft clean cloth.

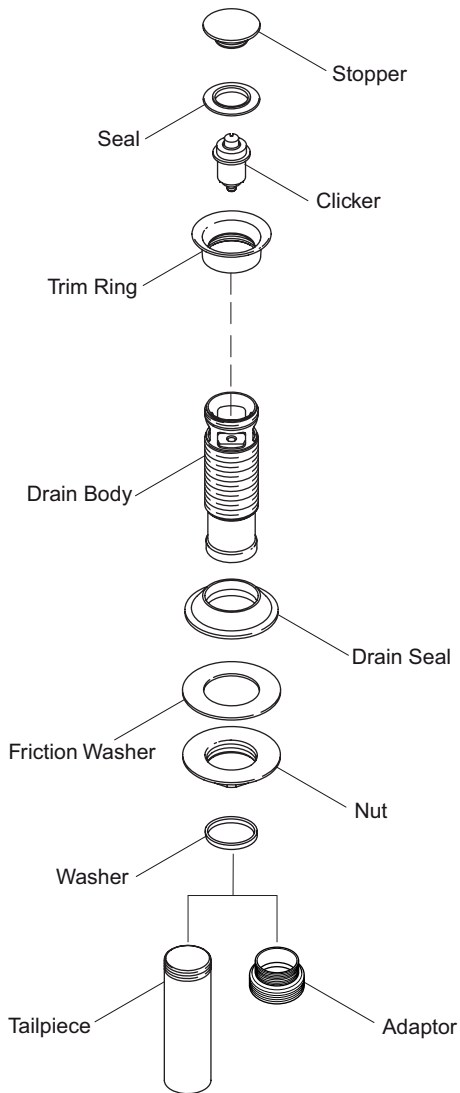
Service Your Drain



Caution! Risk of product damage. Never pull on the drain cap to open the drain. Press and release the drain cap once to close the drain, and press and release the drain cap a second time to open it.

1. With the drain cap in the open position, turn the drain counterclockwise to remove the drain cap and seal.
2. The clicker assembly may come off with the drain cap and seal, or it may remain on the body. If the clicker assembly remains in the drain assembly, remove it by turning it counterclockwise.
3. Separate the cap from the seal.
4. Remove dirt and debris from all exposed surfaces, including those of the drain body.
5. Carefully inspect the seal for excessive wear or damage, and replace it if necessary.
6. The clicker assembly should click open and closed when pressed together. Inspect the clicker assembly for proper operation, and replace it if necessary.
7. Thread the clicker assembly into the drain body.
8. Securely finger tighten. Do not tighten with a spanner.

SPARE PARTS



NOTES

CUSTOMER CARE

Guarantee of Quality

Kohler UK guarantee products against any defect of materials or workmanship for the following periods

25 Years

Ceramic Ware and Cast Products

10 Years

Stainless Steel Products and, Acrylic Baths

5 Years

Shower Valves, Taps, Cistern
Fittings, Toilet Seats and Bath
Panels

2 Years

Bathroom Furniture and
Accessories

1 Year

Whirlpool / Spa Baths

Our confidence in the quality and reliability of our superior products enables us to offer a comprehensive guarantee for all products.

To register and fully benefit from this guarantee you must return the enclosed product registration card indicating the Kohler items you have purchased.

Within the guarantee period we will undertake to resolve any material defects, by providing replacement parts, modules or complete product, as we deem appropriate. To be free of charge, work must only be undertaken by Kohler UK approved personnel.

To ensure that any problems can be promptly resolved you must contact Kohler UK directly.

Proof of purchase must be provided with any claims.

This guarantee covers products in domestic use, installed and maintained in accordance with the instructions. It covers the purchaser only and is not transferable.

Commercial / Business Use

Any Kohler Bathroom product used within a commercial / business premise is guaranteed for **1 Year** against any defect of materials or workmanship.

Not Covered by this Guarantee

Damage or defects arising from incorrect installation, improper use or lack of maintenance.

Installed product damaged in transit Consequential loss, damage or product removal and installation costs.

General wear and tear.

This guarantee is in addition to your statutory and other legal rights.

To Contact Us

Kitchen and Bathroom Taps and Accessories

Tel: 0870 240 7896

Fax: 01242 282 595

Email: technical@mirashowers.com

Website: www.kohleruk.com

Showers and Fittings

Tel: 0870 241 0888

Fax: 01242 282 595

Email: technical@mirashowers.com

Website: www.kohleruk.com

All other Kohler Products

Tel: 0870 850 5551

Fax: 0870 850 5552

Email: info@kohleruk.com

Website: www.kohleruk.com

Kohler Mira Ltd
Cromwell Road,
Cheltenham GL52 5EP.

The company reserves the right to alter
product specifications without notice.

KOHLER.