

## Veil Intelligent Wall-hung WC

5402W-0

**Product Description:** Wall-hung WC with integrated cleansing functionality

**Product Dimensions:** 675 mm Projection

**Colour/Finish:** White

**Material:** Vitreous china

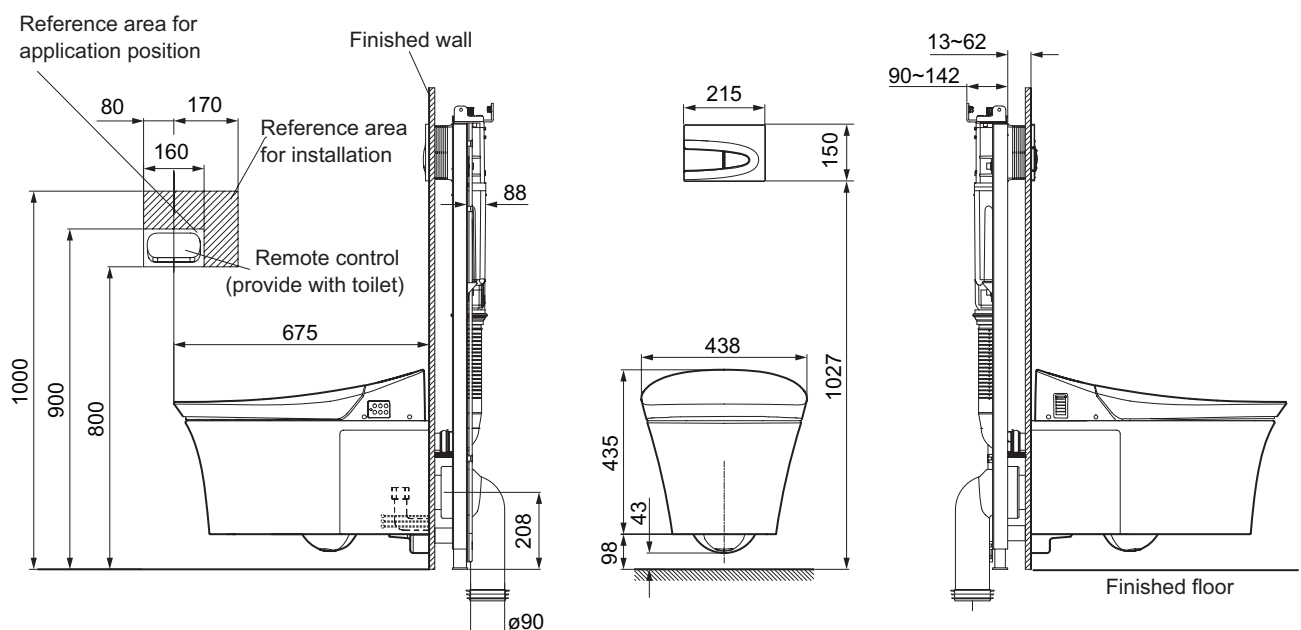
**Product Weight (kg):** 60

**Fixings Included:** In wall tank and flush plate

**Guarantee (Years):** 1 Commercial Use  
3 Domestic Use

**Additional Information:** Most toilet bowl cleaners are safe to use on vitreous china. Follow label directions and use toilet bowl cleaners on the inside of the bowl only.

**Dimensions (mm):**



Wall Hung WC

More information on next page

**Kohler UK**

Sales and Technical:

+44 (0) 844 571 0048 (Calls cost 7p per minute plus your phone company's access charge)

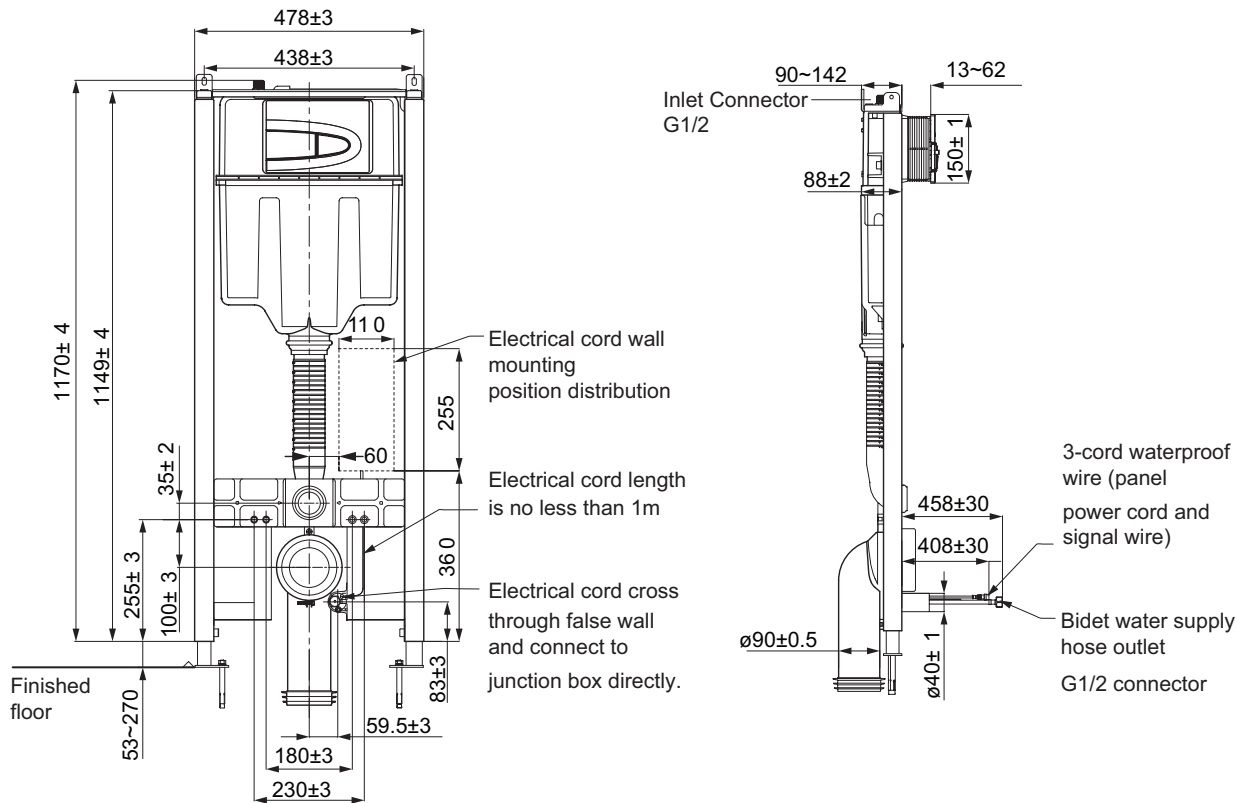
info@kohler.co.uk

www.KOHLER.co.uk

THE BOLD LOOK  
OF **KOHLER**®

Veil Intelligent Wall-hung WC 5402W-0

Dimensions (mm):



In-wall tank

Specification:

The Amount of Flush	4.5L / 3.0L
Minimum Water Supply (recommended)	70kPa (Dynamic Pressure)
Maximum Water Supply	5000kPa (Static Pressure)
Specification	50Hz 230V
Rated Power	1000W
Maximum Instant Power	1600W
Product Overall Dimension	675mm x 438mm x 545mm (Height from floor to top of product)
Product Weight (exclusive in-wall tank)	approx 36kg
Ambient Temperature	1 - 40°C

