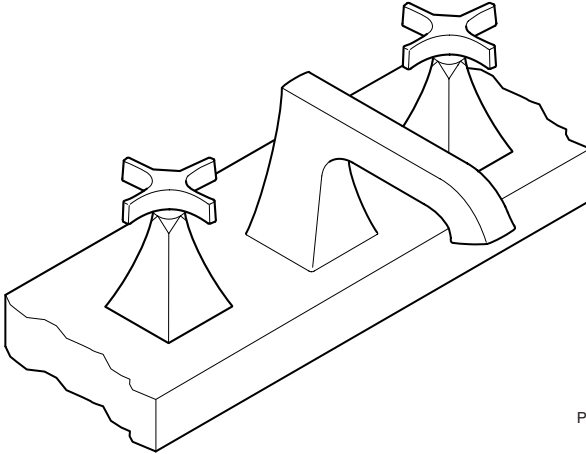


# KOHLER®



P3908005

## Memoirs Stately 3 Hole Bath Mixer

### Installation and User Guide

#### MODEL NUMBERS

469W-3S 469W-4S 469W-4V

**Important :- Please quote the above model number(s) when ordering spares.**

#### **IMPORTANT!**

**Installer:** This manual is the property of the customer and must be retained with the product for maintenance and operational purposes.

1023013-2-A

**CONTENTS**

DESCRIPTION ..... 4

SAFETY : WARNINGS ..... 4

DIMENSIONS ..... 5

SPECIFICATION ..... 5

    Pressures ..... 5

    Plumbing Connections ..... 6

INSTALLATION ..... 7

    Before You Begin ..... 7

    Preparation ..... 8

    Install the Spout Supply Tube (Rough Deck Mount) ..... 9

    Install the Spout Supply Tube (Finished Deck/Bath Rim Mount) ..... 10

    Prepare the Valves ..... 11

    Install the Valves (Rough Deck Mount) ..... 12

    Install the Valves (Finished Deck/Bath Rim Mount) ..... 16

    Testing the Valve Installation ..... 18

    Install the Finished Tile (Rough Deck Mount) ..... 20

    Install the Spout ..... 20

    Install the Stem Extensions ..... 21

    Install the Valve Trim ..... 22

    Finish the Installation ..... 24

USER MAINTENANCE ..... 25

    Cleaning ..... 25

SPARE PARTS ..... 26

NOTES ..... 30

CUSTOMER SERVICE ..... 32

Guarantee of Quality ..... 32  
Commercial / Business Use ..... 32  
Not Covered by this Guarantee ..... 32  
To Contact Us ..... 32

## DESCRIPTION

The Memoirs Stately Bath mixer is a mixer for baths with three holes at 200mm minimum valve centres. It has lever or cross handles and a separate spout with an aerator.

## SAFETY : WARNINGS

Kohler products are precision-engineered and should give continued superior and safe performance, provided:

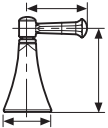
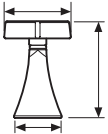
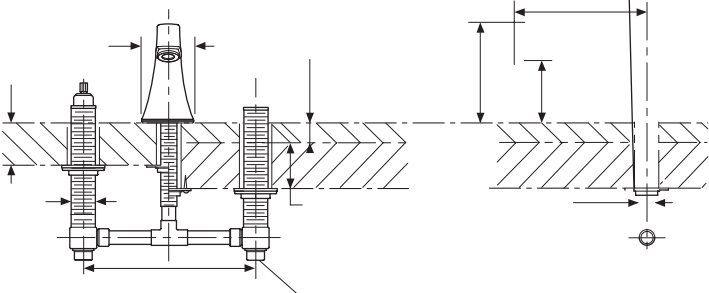
1. They are installed, commissioned, operated and maintained in accordance with the recommendations given in this Manual.
2. Periodic attention is given, as necessary, to maintain the product in good functional order. Recommended guidelines are given in the **MAINTENANCE** section.

**Caution!** Be very careful when working with vitreous china products. Vitreous china can break or chip if the nuts and bolts are overtightened, or if carelessly handled.

Before installation carefully inspect the new fixture for any signs of damage.

When installing Kohler Products, manufacturers guidelines for power tool safety should be followed.

# DIMENSIONS



## **Plumbing Connections**

Hot (H) and Cold (C) inlets must be connected to the correct inlet supplies.

# INSTALLATION

## Before You Begin

1. Turn off the water supply.
2. The plumbing installation must comply with Water Supply Regulations/Bye-laws (Scotland), Building Regulations or any particular regulations and practices, specified by the local water company or water undertakers. The installation should be carried out by a plumber or contractor who is registered with, or is a member of an association such as:

Institute of Plumbing (IOP), throughout the UK.

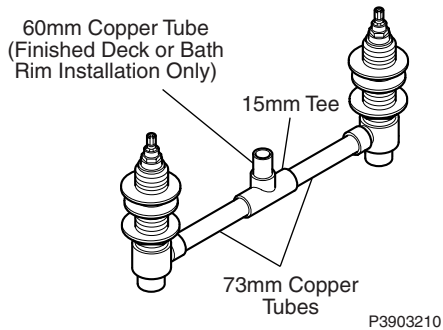
National Association of Plumbing, Heating and Mechanical Services Contractors (NAPH & MSC), England and Wales.

Scottish and Northern Ireland Plumbing Employers' Federation (SNIPEF), Scotland and Northern Ireland.

3. Kohler Co. reserves the right to make revisions in the design of taps without notice.

## Preparation

1. Determine which installation type is required.



### For installations with 200mm centres

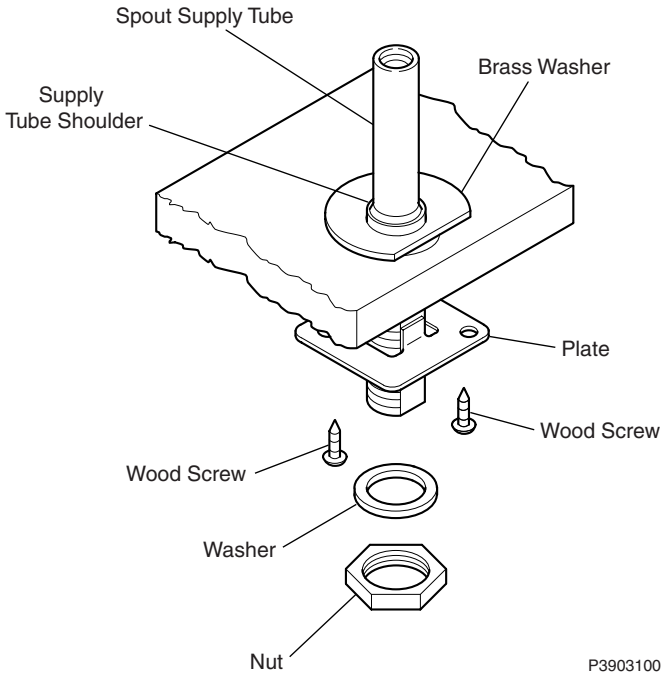
2. Cut two pieces of 15mm copper tubing to 73mm length.

### For installations with more than 200mm centres

3. Adjust the tubing length as necessary.
4. For finished deck or bath mount installations, cut one piece of 15mm copper tubing to 60mm length.



## Install the Spout Supply Tube (Rough Deck Mount)



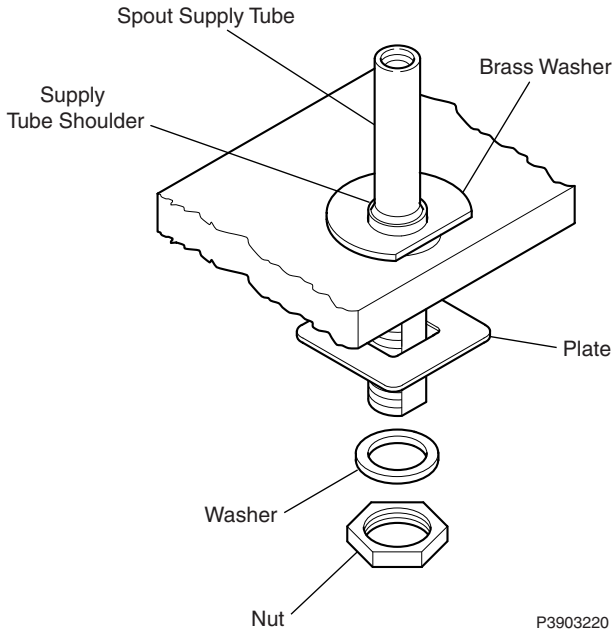
P3903100

**Caution! Risk of product damage.** Leave the protective sleeve on the spout supply tube until the spout installation.

1. Slide the brass washer from the bottom of the spout supply tube over the threads until the washer reaches the supply tube shoulder.
2. Insert the spout supply tube through the mounting hole from the top of the deck. Make sure the flat of the washer faces forward. The spout supply tube should now be suspended by the washer.
3. Slide the plate (with the tabs pointing towards the deck) and washer onto the spout supply tube from the bottom. Secure in place with the mounting nut.

- Secure the plate to the deck with two wood screws.

## Install the Spout Supply Tube (Finished Deck/Bath Rim Mount)



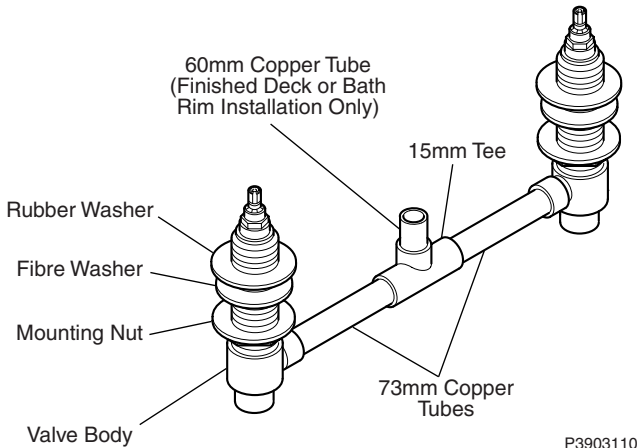
P3903220

**Caution! Risk of product damage.** Leave the protective sleeve on the spout supply tube until the spout installation.

- Slide the brass washer from the bottom of the spout supply tube over the threads until the washer reaches the supply tube shoulder.
- Insert the spout supply tube through the mounting hole from the top of the deck/bath. Make sure the flat of the washer faces forward. The spout supply tube should now be suspended by the washer.

- Slide the plate (with the tabs pointing towards the deck) and washer onto the spout supply tube from the bottom. Secure in place with the mounting nut.

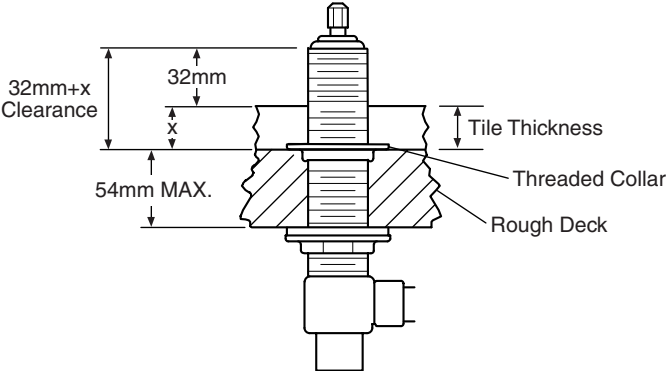
## Prepare the Valves



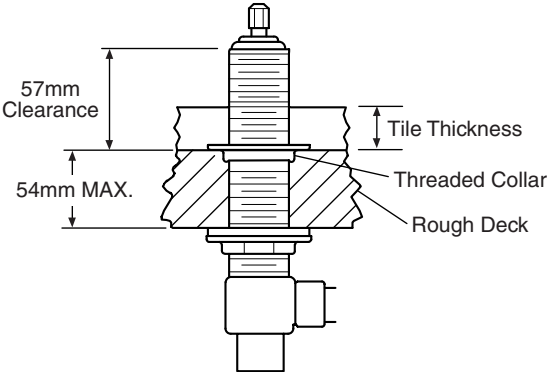
**Note!** Do not solder the connections until told to do so.

- Attach the mounting nut (flange side up), fibre washer and rubber washer onto each valve body.
- Insert the copper tubes between the valve bodies and tee.
- For a finished deck or bath rim installations, insert the 60mm copper tube into the top of the tee.

### Install the Valves (Rough Deck Mount)



Tile Thickness Less Than 25mm



Tile Thickness Between 25mm and 32mm

P3903140

**Note!** Make sure the valve body marked “COLD” is on the right hand side when facing the front of the bath mixer.

1. Determine the finish tile thickness.

**For tile thickness less than 25mm**

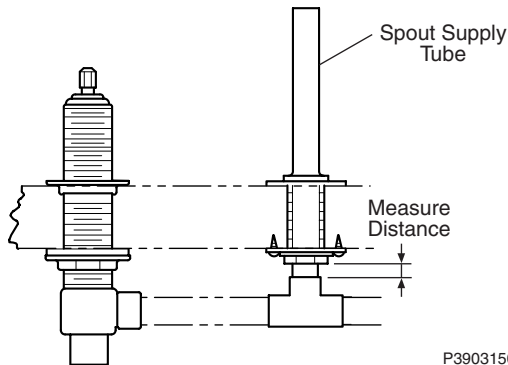
2. Add 32mm to the tile thickness to calculate the valve clearance.

**For tile thickness between 25mm and 32mm**

3. The valve clearance height required is 57mm.

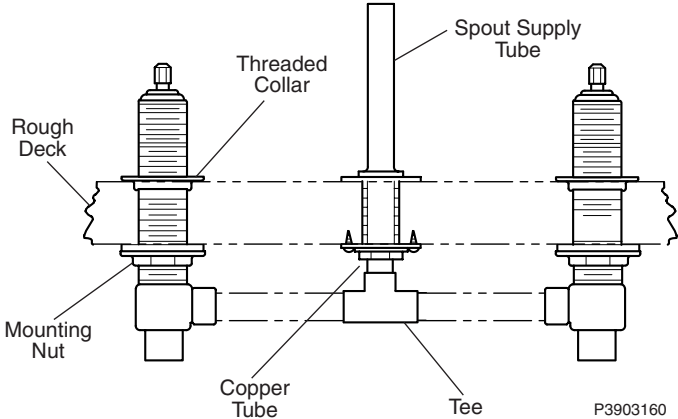
**Note!** Make sure the valve clearance is recorded for later use.

4. Install the valve and attach the threaded collar.
5. Adjust the threaded collar until the dimension from the top of the valve sleeve to the top of the rough deck surface equals the calculated valve clearance.



P3903150

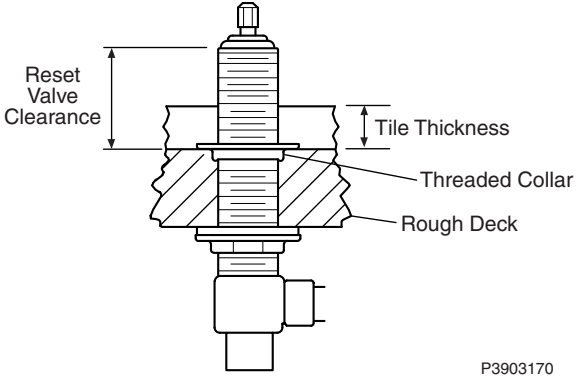
6. Measure the distance from the underside of the spout nut to the top of the tee (as shown).
7. Add 25mm to this measurement and cut one piece of 15mm copper tubing to this calculated tee tube length .



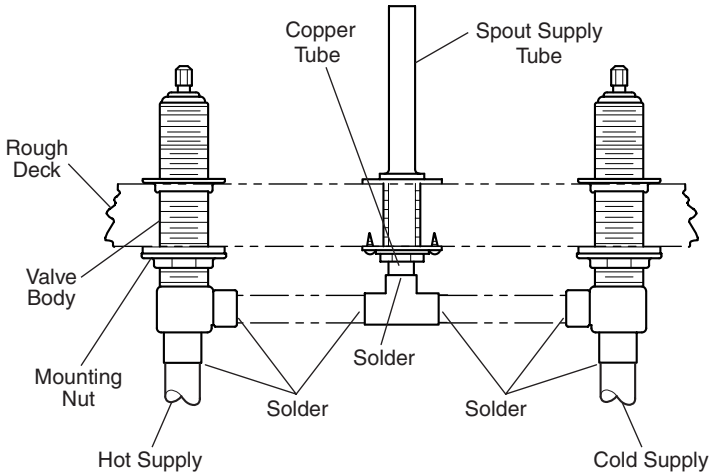
- 8. Unscrew the threaded collars as far as possible without removing them and pivot the valve bodies enough to remove the tee and the two pieces of tubing.

**Note!** It may be necessary to remove the entire valve body assembly if the valve body holes are smaller than recommended.

- 9. Install the copper tube into the tee, and into the spout supply tube
- 10. Pivot the valve bodies onto the two pieces of copper tubing.



11. Reset the valve clearance as previously calculated and recorded.



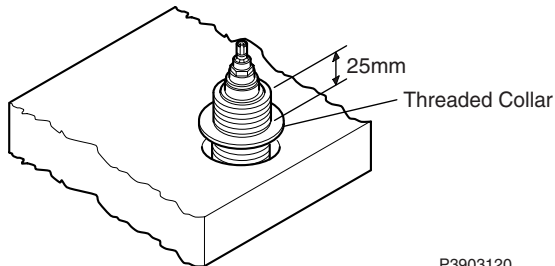
P3903180

12. Tighten the mounting nuts on each valve body underneath the deck.

**Caution!** Ensure any surfaces that may be heat damaged are protected when soldering.

13. Solder all copper tubes to the valve bodies, tee and spout supply tube.  
 14. Solder the valve bodies to the hot and cold water supplies.

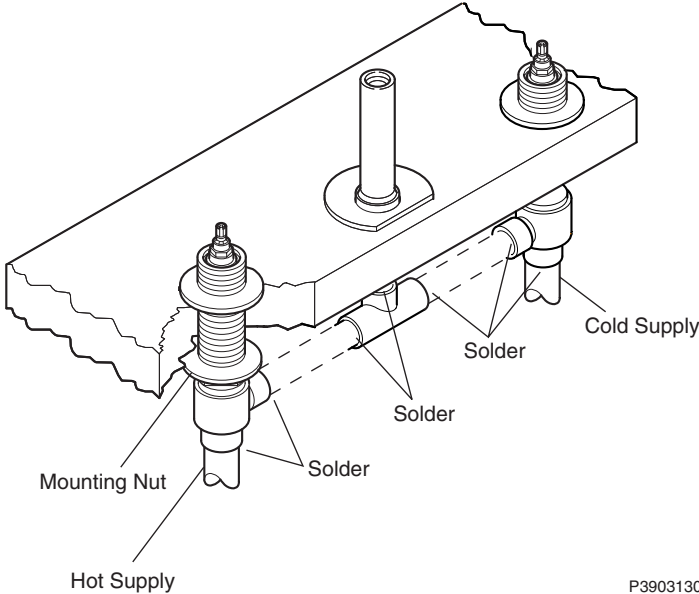
## Install the Valves (Finished Deck/Bath Rim Mount)



**Note!** Make sure the valve body marked “COLD” is on the right hand side when facing the front of the bath mixer.

1. Insert the valve bodies through the mounting holes from the bottom of the deck rim.
2. Attach the copper tube from the tee to the spout supply tube and hold in position.
3. Place the threaded collar with the flange facing upwards onto each valve body and screw downwards until it is positioned 25mm from the top of the valve body thread.





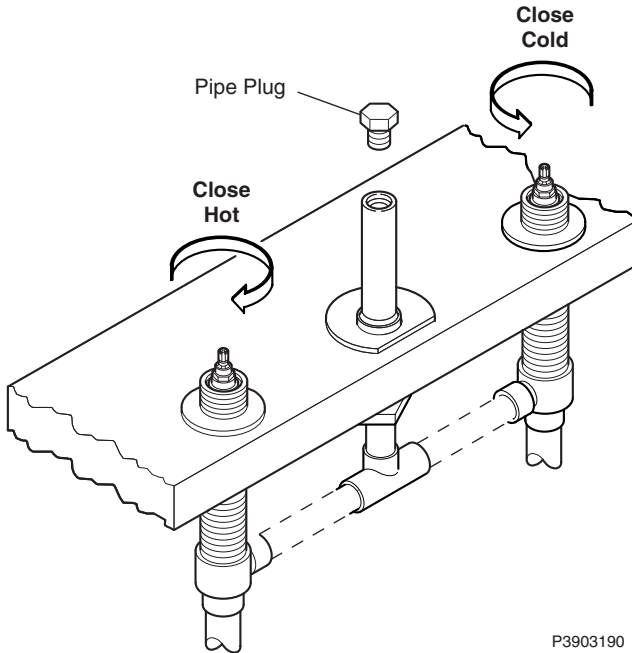
P3903130

- 4. Tighten the mounting nuts on each valve body underneath the deck.

**Caution!** Ensure any surfaces that may be heat damaged are protected when soldering.

- 5. Solder all copper tubes to the valve bodies, tee and spout supply tube.
- 6. Solder the valve bodies to the hot and cold water supplies.

## Testing the Valve Installation



P3903190

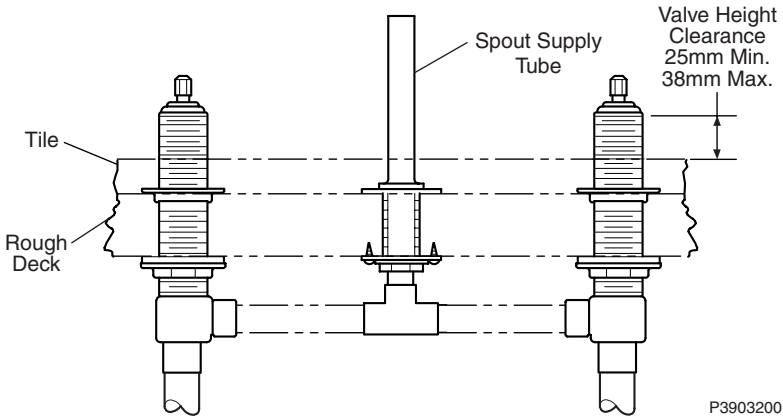
1. Make sure that both valves are in the closed (HOT = clockwise, COLD = anti-clockwise) position.
2. Turn on the water supply and check for leaks.
3. Open the valves and check for leaks.
4. Close both valves and turn off the water supply.

**Warning! Risk of personal injury.** Lines may be pressurised. Do not lean over the pipe plug when turning or removing the plug.

5. Wrap a towel around the pipe plug to avoid spray. Remove the pipe plug from the spout supply tube to relieve the pressure.
6. Re-install the pipe plug into the spout supply tube. Leave the pipe plug installed until the spout installation.

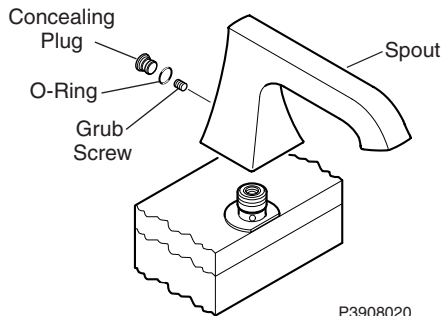
7. Install cardboard plaster guards around the spout supply tube and valve sleeves. Leave the plaster guards installed until spout and handle installation.

## Install the Finished Tile (Rough Deck Mount)



1. Place a tile on the rough deck and measure the valve height from the top of the valve sleeve to the top of the finished tile.
2. Verify the valve height is between 25mm and 38mm.
3. Install the finished tiles.

## Install the Spout



1. Remove the plaster guard from the spout supply tube.

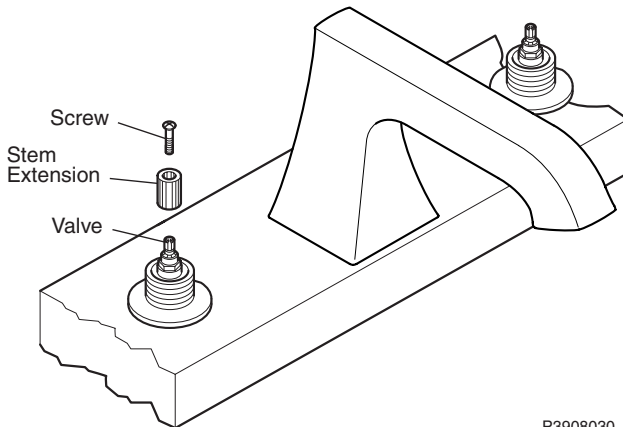
**Warning! Risk of personal injury.** Lines may be pressurised. Do not lean over the pipe plug when turning or removing the plug.

2. Wrap a towel around the pipe plug to avoid spray. Remove the pipe plug from the spout supply tube.
3. Loosen the setscrew at the base of the spout far enough so that they will not interfere with the spout supply tube.

**Caution! Risk of product damage.** Use care when installing the spout assembly to prevent damage to the O-ring seal outside of the sleeve.

4. Apply a ring of sealant around the underside of the spout.
5. Install the spout over the spout supply tube, set orientation, and tighten the setscrew.
6. Insert the O-ring and concealing plug.
7. Remove any excess sealant.

## Install the Stem Extensions

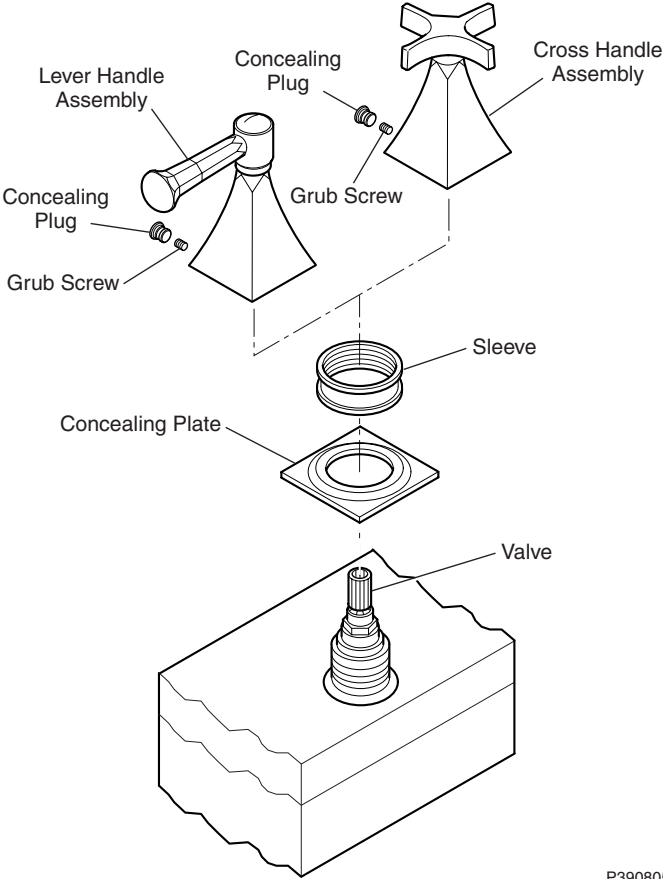


P3908030

1. Remove the cardboard plaster guard from the hot and cold valves.
2. Install the stem extension onto each valve stem. Make sure the splines are properly aligned.

- 3. Make sure that both valves are in the closed (HOT = clockwise, COLD = anti-clockwise) position.

### Install the Valve Trim

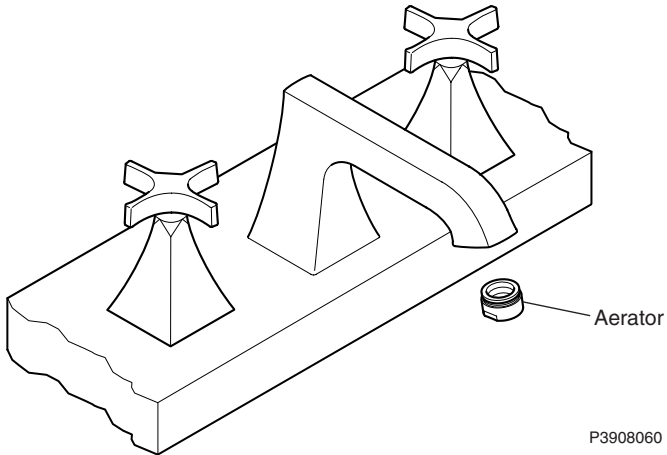


P3908050

- 1. Position the concealing plate over the valves.
- 2. Install the threaded sleeves into the concealing plate.

3. Install the handle assembly onto the valve sleeve. Take care that the splines inside the skirt and stem extensions are engaged. Orientate the handles so that they point to the outside. Adjust as required.
4. If the handle assembly bottoms out on the stem extension before the base of the assembly contacts the sealing plate, replace the long extension kit with the short plastic extension.
5. Adjust the handle so that the lever points away from the spout at a 90° angle when closed. To refine the alignment, remove the handle assembly and reposition the stem extension on the valve stem. Re-install the handle assembly and check the handle alignment. Repeat until the alignment is satisfactory.
6. Tighten the setscrew at the rear of the tap assembly and install the concealing plug.

## Finish the Installation



P3908060

1. Make sure that both of the tap handles are turned off (HOT= clockwise, COLD = anti-clockwise).
2. Turn on the main water supply and check for leaks.
3. Remove the aerator from the spout. Turn on both hot and cold valves and run water through the spout for one minute to remove any debris. Check for leaks.
4. Turn off the hot and cold valves.
5. Re-install the aerator.

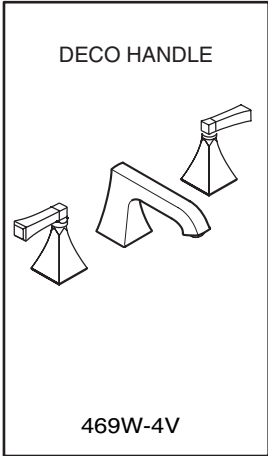
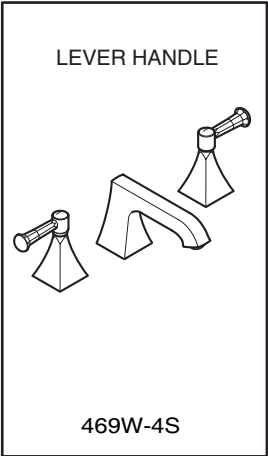
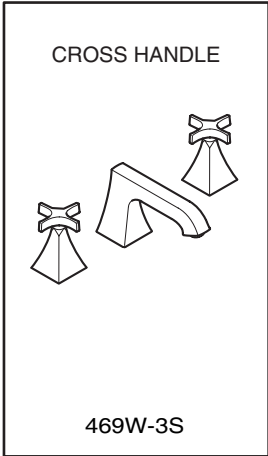


# USER MAINTENANCE

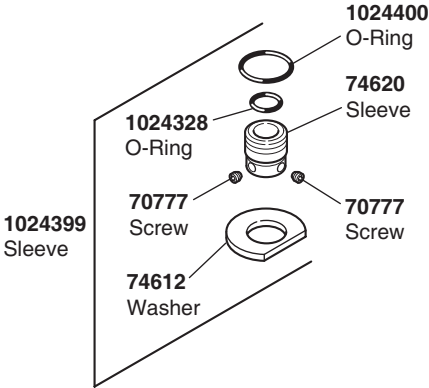
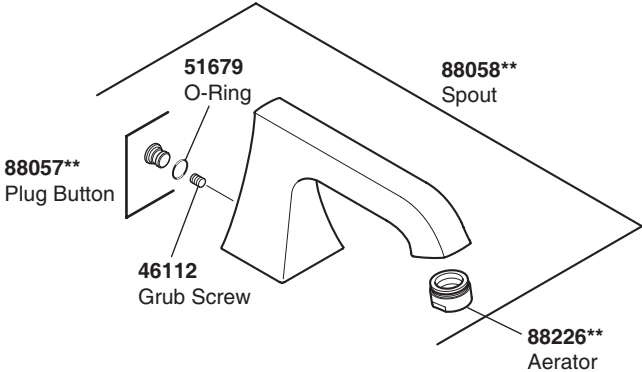
## Cleaning

**Caution! Risk of product damage.** Many cleaners contain abrasive and chemical substances, and should not be used for cleaning stainless steel, enamel, plated or plastic fittings. These finishes should be cleaned using a mild washing up detergent or soap solution, rinsed and then wiped dry with a soft clean cloth.

# SPARE PARTS

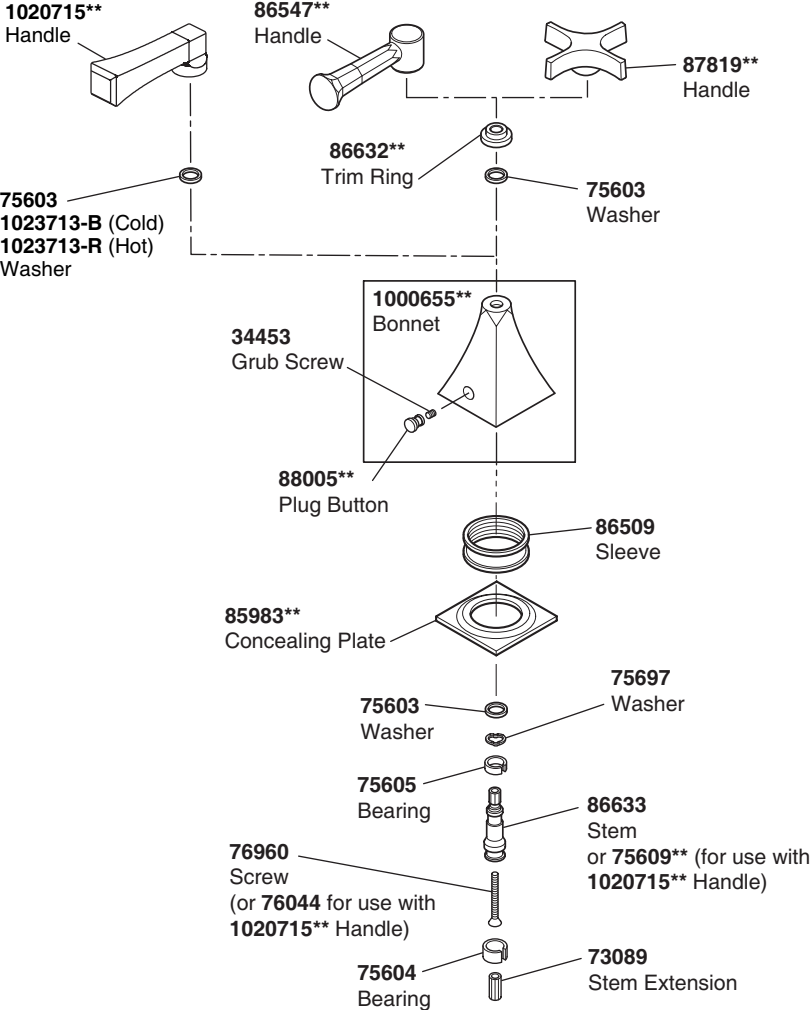


P3908090/1



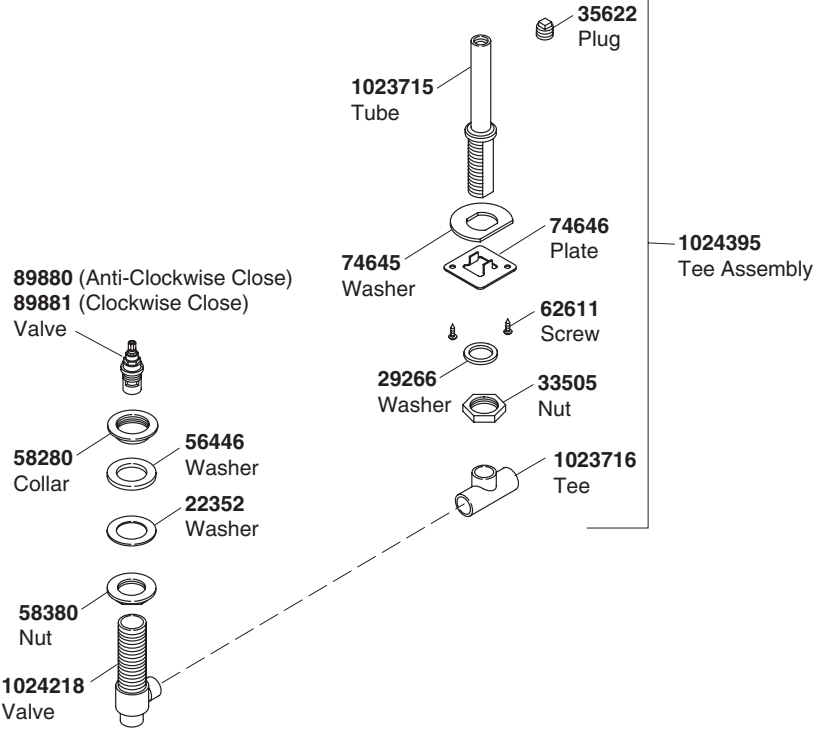
\*\* Variation and/or finish/colour code may be required when ordering.

P3908070/1



\*\* Variation and/or finish/colour code may be required when ordering.

P3908080/1



\*\* Variation and/or finish/colour code may be required when ordering.

P3908100

# NOTES

# NOTES

# CUSTOMER SERVICE

## Guarantee of Quality

Kohler UK guarantee products against any defect of materials or workmanship for the following periods

## 25 Years

Ceramic Ware and Cast Products

## 10 Years

Stainless Steel Products and, Acrylic Baths

## 5 Years

Shower Valves, Taps, Cistern  
Fittings, Toilet Seats and Bath  
Panels

## 2 Years

Bathroom Furniture and  
Accessories

## 1 Year

Whirlpool / Spa Baths

**Our confidence in the quality and reliability of our superior products enables us to offer a comprehensive guarantee for all products.**

To register and fully benefit from this guarantee you must return the enclosed product registration card indicating the Kohler items you have purchased.

Within the guarantee period we will undertake to resolve any material defects, by providing replacement parts, modules or complete product, as we deem appropriate. To be free of charge, work must only be undertaken by Kohler UK approved personnel.

To ensure that any problems can be promptly resolved you must contact Kohler UK directly.  
Proof of purchase must be provided with any claims.

This guarantee covers products in domestic use, installed, operated and maintained in accordance with the instructions. It covers the purchaser only and is not transferable.

### Commercial / Business Use

Any Kohler Bathroom product used within a commercial / business premise is guaranteed for **1 Year** against any defect of materials or workmanship

### Not Covered by this Guarantee

Damage or defects arising from incorrect installation, improper use or lack of maintenance.  
Installed product damaged in transit  
Consequential loss, damage or product removal and installation costs.  
General wear and tear.

This guarantee is in addition to your statutory and other legal rights.  
Applies to the UK only.

### To Contact Us

Tel: 0870 850551

Fax: 0870 850552

email: [info@kohleruk.com](mailto:info@kohleruk.com)

Website: [www.kohleruk.com](http://www.kohleruk.com)

**Kohler Mira Ltd**  
Cromwell Road,  
Cheltenham GL52 5EP.

The company reserves the right  
to alter product specifications  
without notice.

**KOHLER.**