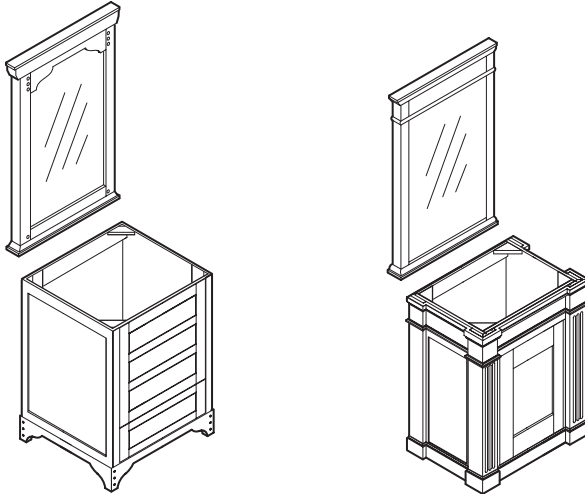


KOHLER®



Vanity Cabinets and Mirrors Installation and User Guide

MODEL NUMBERS

2451, 2452, 2454, 2455, 2457, 2459, 2453, 2456, 2458, 2460,
2470, 2473

Important :- Please quote the above model number(s) when ordering spares.

IMPORTANT!

Installer: This manual is the property of the customer and must be retained with the product for maintenance and operational purposes.

CONTENTS

DESCRIPTION	3
SAFETY : WARNINGS	3
INSTALLATION	4
Install the Mirrors	4
Install the Vanity Cabinet Legs	5
Install the Vanity Cabinet	7
Remove/Adjust the Quiet Close Assembly	9
Remove/Adjust the Doors	10
Remove/Replace the Hinges	11
Remove/Adjust the Drawer	12
Install the Knobs	14
USER MAINTENANCE	15
Cleaning	15
SPARE PARTS	16
NOTES	21
CUSTOMER SERVICE	24
Guarantee of Quality	24

DESCRIPTION

This installation and user guide covers the installation of a range of vanity cabinets and mirrors from the Kohler range.

SAFETY : WARNINGS

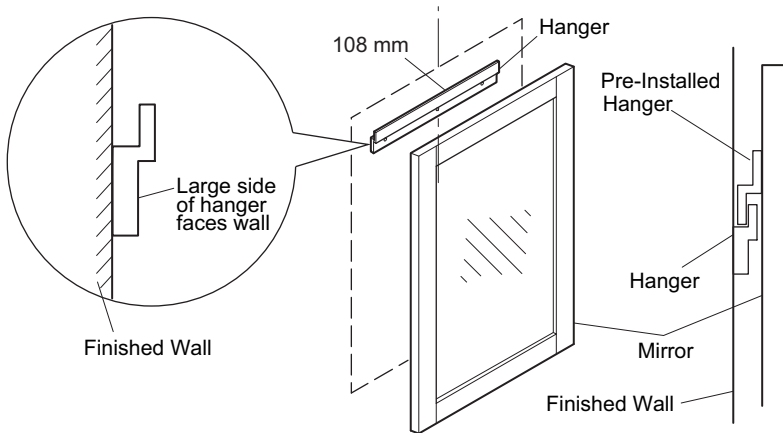
Kohler products are precision-engineered and should give continued superior and safe performance, provided:

1. They are installed and maintained in accordance with the recommendations given in this Manual.

Carefully inspect the new fixture for any signs of damage.

INSTALLATION

Install the Mirrors



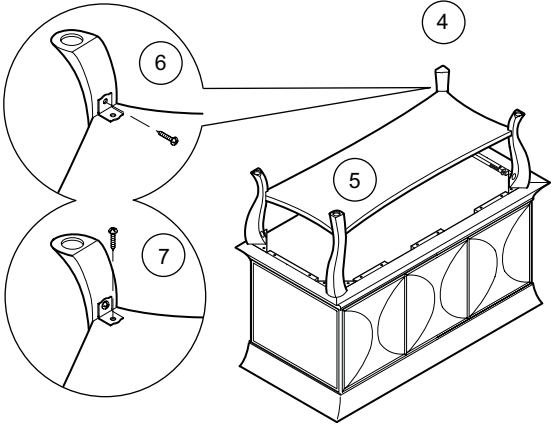
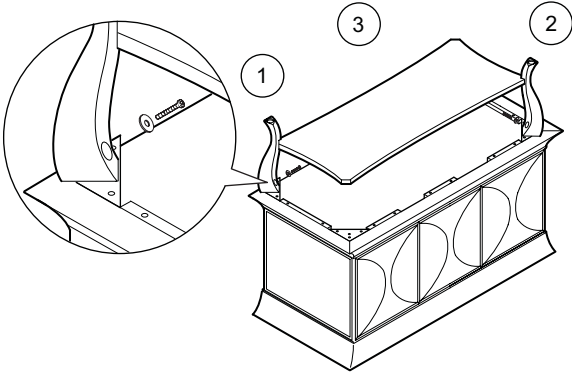
1067217-070

1. Decide on the location of the mirror and hold the mirror flush against the wall.
2. Mark the centre width of the mirror on the top edge of the mirror frame with a pencil. Set the mirror aside.
3. Measure and mark 108 mm down from the centre width mark. This mark is the centre for the hanger.
4. Hold the centre of the hanger at the marked point for the hanger. Make sure that the largest side of the hanger is facing against the wall, as illustrated.
5. Make sure that the hanger is level, then using a suitable drill, drill the holes for the fixing screws (not supplied). Fit suitable wall plugs.
6. Fit the hanger to the wall with the screws.
7. Carefully hang the mirror on the wall so the pre-installed mirror hanger is centred on the mounted hanger. Make sure that the hangers interlock correctly.

1067217-W2-B

Install the Vanity Cabinet Legs

K-2457 Only



1067217-040

1067217-W2-B

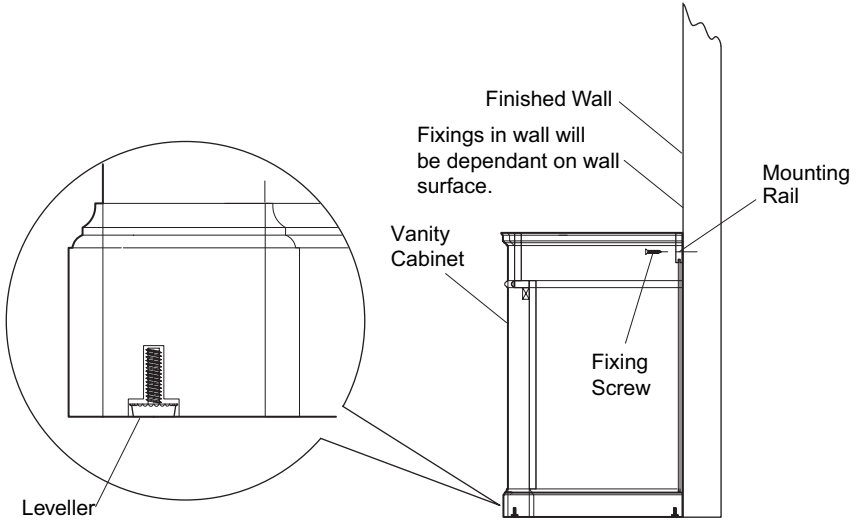
Note! Make sure that the drawer has been removed before turning the vanity cabinet over. Refer to the section **Remove and Adjust the Drawer** for more details.

1. Turn the vanity cabinet over so that the bottom faces up.

Note! The legs must be installed opposite one another. Begin with the back left corner, then to the front right corner.

2. Insert a screw and washer through the hole in the back left leg, then through the pre-drilled outer hole on the back left corner.
3. Tighten the screw until there is no movement of the leg.
4. Install the front right leg to the front right corner in the same manner.
5. Insert the shelf into the groove of each installed leg.
6. Install the two remaining legs in the same manner making sure that the shelf is positioned into the groove in each leg before securing the legs in position.
7. Secure an L-bracket at each leg location, as illustrated.
8. Turn the vanity cabinet back onto its legs and refit the drawer.

Install the Vanity Cabinet



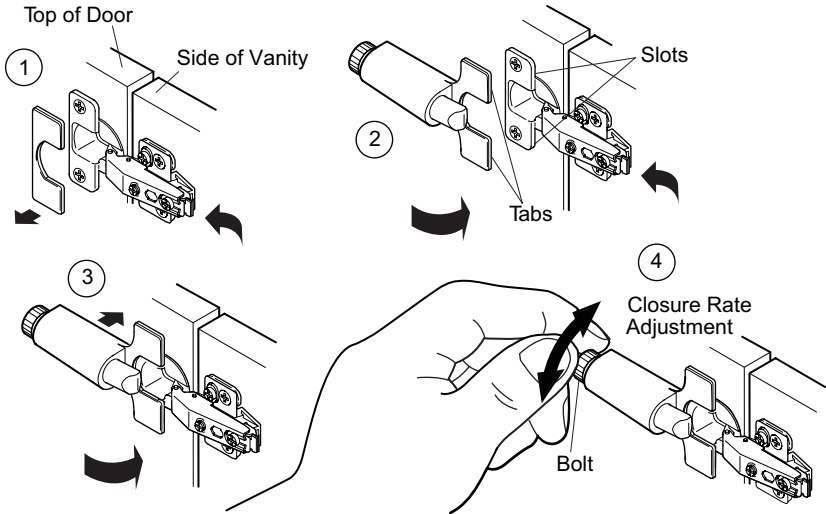
1067217-050

1. Remove the drawer, door(s) and shelf from the vanity cabinets. Refer to the appropriate section for more details.
2. Position the vanity cabinet against the finished wall.
3. Make sure that the vanity cabinet is level. If necessary, turn the levellers on the bottom of each vanity leg to achieve this.
4. Mark the supply and drain locations on the inside of the vanity cabinet back wall. Move the vanity cabinet away from the wall.
5. Using a suitable hole saw, cut out the marked supply and drain locations on the vanity cabinet wall.
6. Position the vanity cabinet against the wall, aligning the supply and drain locations with the cut-outs.
7. Drill two fixing holes through the mounting rail and into the finished wall on each side of the vanity cabinet. Make sure the fixing holes are spaced a minimum of 406 mm apart.

1067217-W2-B

8. If necessary, fit suitable fixings into the wall depending on the wall structure.
9. Secure the vanity cabinet flush against the wall by tightening the fixing screws. Additional screws may be used, if required.
10. If applicable to your model, cut the wood trim, then attach it around the bottom perimeter of the vanity cabinet using suitable finishing nails. Apply a suitable wood filler to the top of each nail hole.
11. If possible and applicable, install the tap to the vanity basin before installing the vanity basin to the vanity cabinet.
12. Install the vanity basin. Refer to the vanity basin manufacturer's instructions.
13. If applicable to your model, place a shelf pin into the mounting hole at each corner inside the vanity cabinet. Fit the shelf to rest on the pins.
14. Refit the drawers and doors.
15. Install the decorative cabinet hardware opposite the hinged side of the door(s). Refer to the decorative cabinet hardware manufacturer's installation instructions.
16. Make adjustments to the door(s), hinges and drawers as required. Refer to the applicable sections.

Remove/Adjust the Quiet Close Assembly



1067217-060

Removal

1. Apply a small amount of leverage to the door with one hand to keep the door in the fully open position. With the other hand, slide the hinge back towards you, then outward away from the door.

Replacement

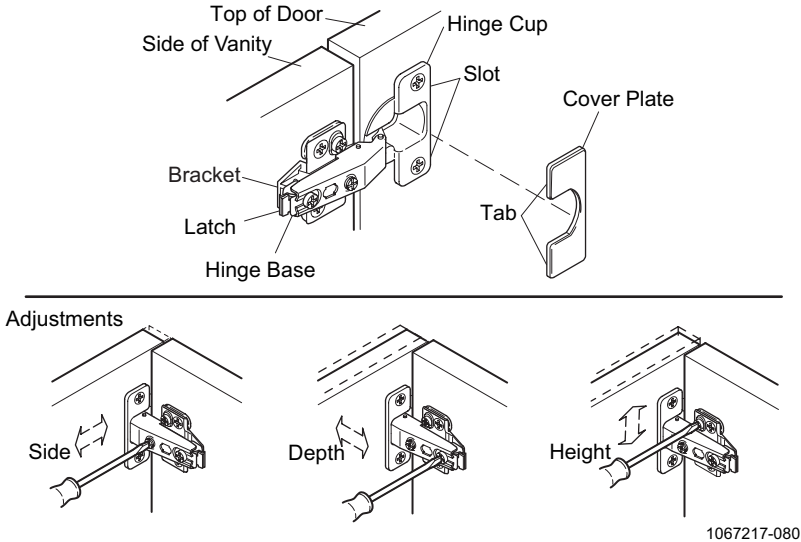
2. Apply a small amount of leverage to the door with one hand to keep the door in the fully open position. With the other hand, slide the tab on the quiet-close assembly over the slot on the hinge base, then snap into place over the hinge base.
3. Open and close the door to ensure correct operation.
4. Adjust the bolt on the quiet close assembly to achieve the proper rate of closure.

1067217-W2-B

Adjustment

5. Turn the bolt clockwise on the quiet close assembly to lengthen the closure rate. Turn the bolt anticlockwise to shorten the closure rate.

Remove/Adjust the Doors



Removal

1. Hold the door in place with one hand whilst releasing the latch from the bracket at each hinge assembly location on the door. The door will detach from the hinges.
2. If applicable, remove the remaining door.

Replacement

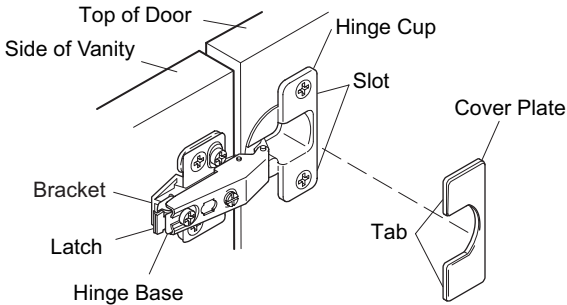
3. Line up the latch pin on the hinge cup with the groove on the hinge base, then snap into place.

4. Open and close the door to confirm smooth operation. Adjust the screws on the hinge assembly as needed.

Adjustment

5. **Height - to move the door up or down** -Turn the screw either way on the bottom and top hinge assembly until correct adjustment is achieved.
6. **Side - to move the door to the left or right** -Turn the screw either way on the bottom and top hinge assembly until correct adjustment is achieved.
7. **Depth - to move the door in or out** -Loosen the screw on the bottom and top hinge assembly, hold the door in the desired position, then retighten the screws.

Remove/Replace the Hinges



1067217-140

Removal

1. **For a bottom hinge** - Remove the cover plate from the hinge base by sliding the cover plate out towards you, then away from the hinge base.
2. **For a top hinge** - Refer to the section "Remove/Adjust the Quiet Close Assembly" then proceed with the removal procedure for both hinges.

1067217-W2-B

3. **For both hinges** - Remove the two screws from the hinge cup, then the two screws from the hinge base.

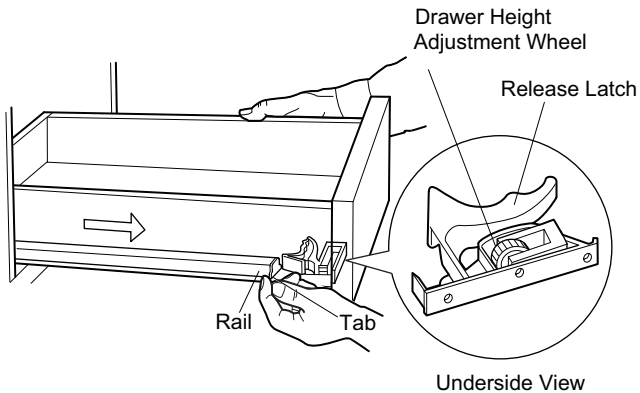
Relocate for left pivot

4. **For vanity cabinets with a single door only** -Install the hinges to the pre-drilled holes on the left side of the door opening on the vanity cabinet. Turn the door through one hundred and eighty degrees, then refit the door to the hinges on the vanity cabinet.

Replacement

5. Align the hinge base with the pre-drilled screw holes on the side of the vanity cabinet. Secure with two screws.
6. Align the hinge cup with the pre-drilled screw holes on the door. Secure with two screws.
7. Line up the latch pin on the hinge cup with the groove on the hinge base, then snap into place.
8. Refit the cover plate.

Remove/Adjust the Drawer



1067217-090

1067217-W2-B

Note! A drawer height adjustment wheel and release catch are located underneath the front of the drawer at each corner.

Removal

1. Slide the drawer out on the rails until fully extended.
2. Pull both release latches towards you, then pull the front of the drawer up off the rails.
3. Lift the drawer out from the vanity cabinet.

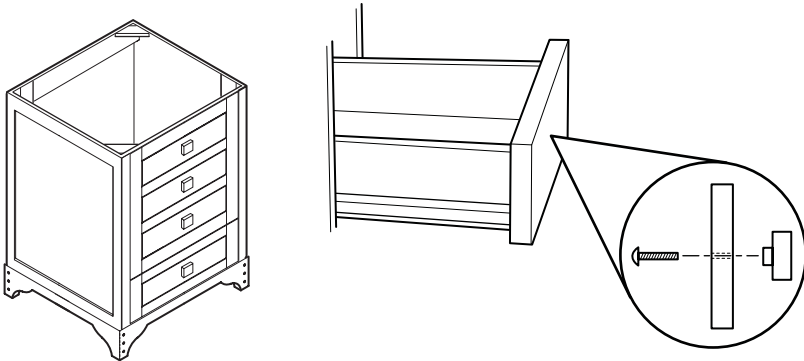
Reinstallation

4. Fully extend the rails.
5. Align the grooves on the underside of the drawer with the rails and set into place.
6. Hold the drawer in place on the rails with one hand. With your other hand, pull the tab on the bottom front of the rail towards you until you hear the rail “snap” into place. Repeat this step for the remaining rail.
7. Make sure the drawer is locked in place by gently lifting the front of the drawer upward. If the drawer does not lift up, it is engaged. If the drawer lifts up then repeat the above procedure.
8. Slide the drawer in and out to ensure smooth operation.

Adjustment

9. Slide the drawer out until it is fully extended.
10. Turn the drawer height adjustment wheels to adjust the drawer height. To lower the drawer, turn the wheel on the left hand side of the drawer clockwise and/or the wheel on the right hand side of the drawer anticlockwise. Turn the wheel(s) in the opposite direction to raise the drawer.

Install the Knobs



1067217-160

1. Decide on the location of the knob and mark the centre with a pencil.
2. Drill the hole a suitable size for the knob screw.
3. Secure the knob to the drawer/door with the knob screw.

USER MAINTENANCE

Cleaning

Caution! Risk of product damage. Many cleaners contain abrasive and chemical substances, and should not be used for cleaning stainless steel, wood, enamel, plated or plastic fittings. These finishes should be cleaned using a mild washing up detergent or soap solution, rinsed and then wiped dry with a soft clean cloth.

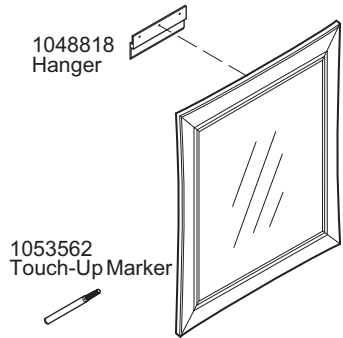
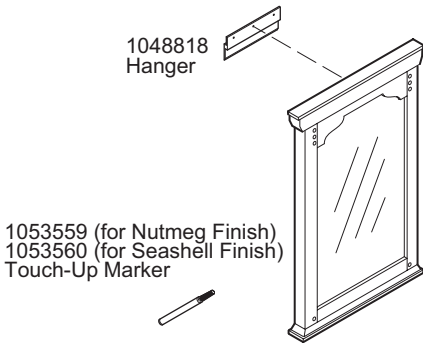
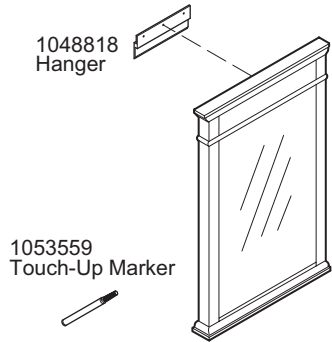
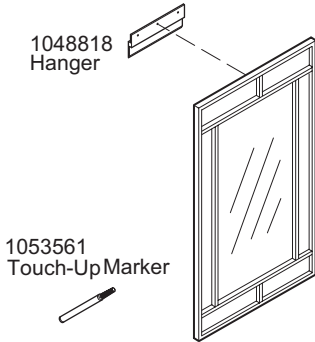
Door and Cabinet Care: Usually regular cleaning with a damp cloth is sufficient. Never use strong detergents or abrasive cleaners as this may damage the surface finish of your furniture.

Glass Care: When cleaning glass panels or mirrors, use a damp cloth or leather with washing-up liquid or soft soap. Do not use washing powders or any other substance containing abrasives, as these will scratch the glass.

Bathroom furniture may deteriorate if subjected to heavy water spillage or prolonged condensation. Any edges that may come into contact with water must be sealed.

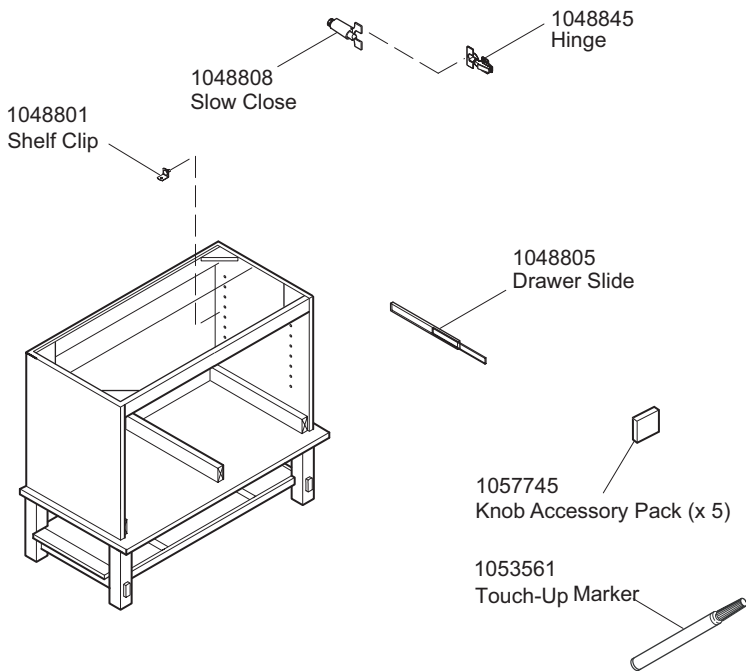
We strongly recommend that all installations are well ventilated, failure to do so may invalidate your guarantee.

SPARE PARTS



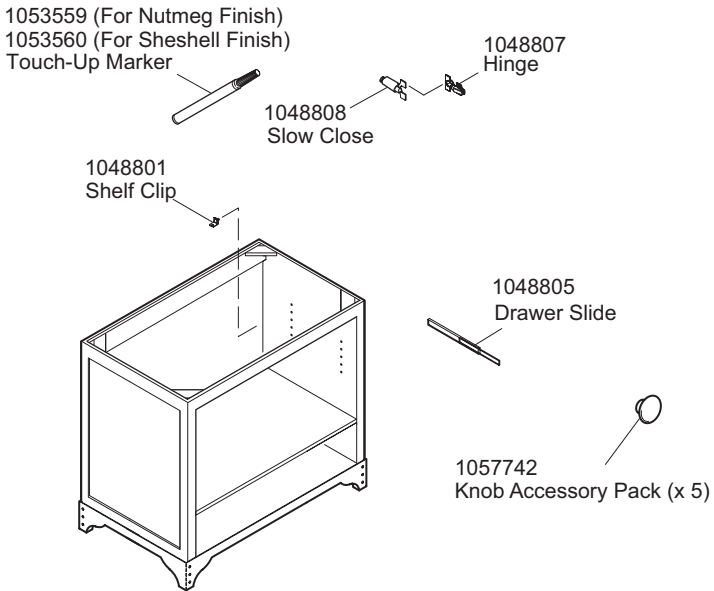
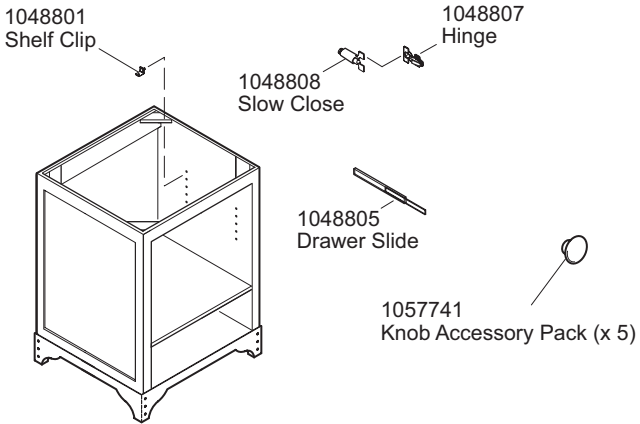
1067217-010

1067217-W2-B



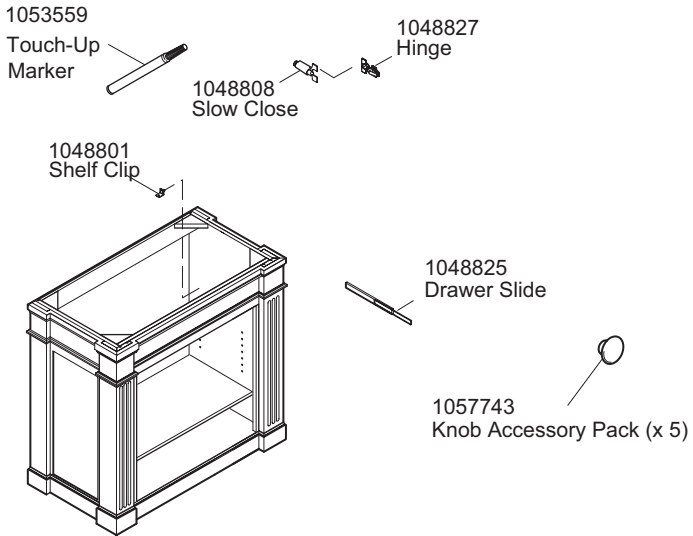
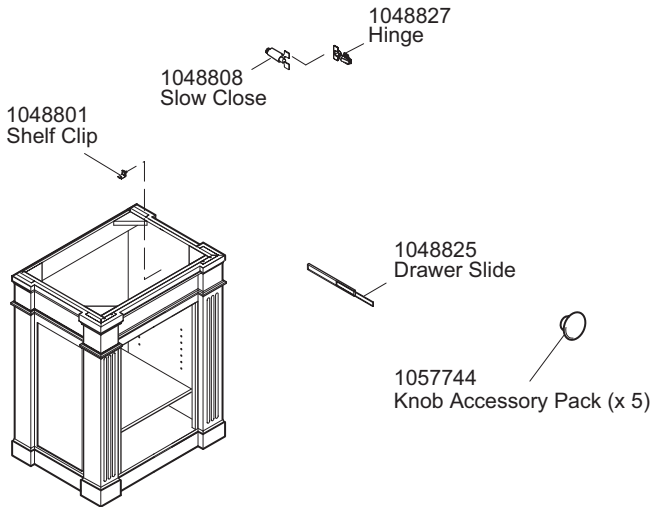
* Finish/colour code must be specified when ordering

1067217-100_1



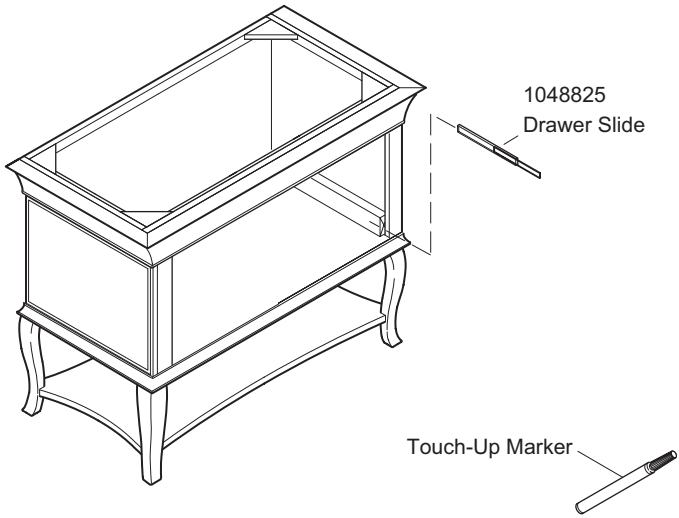
*Finish/color code must be specified when ordering.

1067217-110_1



* Finish/color code must be specified when ordering.

1067217-120_1



*Finish/color code must be specified when ordering.

1067217-130_1

NOTES

NOTES

NOTES

CUSTOMER SERVICE

Guarantee of Quality

Kohler UK guarantee products against any defect of materials or workmanship for the following periods

25 Years

Ceramic Ware and Cast Products

10 Years

Stainless Steel Products and, Acrylic Baths

5 Years

Shower Valves, Taps, Cistern
Fittings, Toilet Seats and Bath
Panels

2 Years

Bathroom Furniture and
Accessories

1 Year

Whirlpool / Spa Baths

Our confidence in the quality and reliability of our superior products enables us to offer a comprehensive guarantee for all products.

To register and fully benefit from this guarantee you must return the enclosed product registration card indicating the Kohler items you have purchased.

Within the guarantee period we will undertake to resolve any material defects, by providing replacement parts, modules or complete product, as we deem appropriate.

To be free of charge, work must only be undertaken by Kohler UK approved personnel.

To ensure that any problems can be promptly resolved you must contact Kohler UK directly.

Proof of purchase must be provided with any claims.

This guarantee covers products in domestic use, installed, operated and maintained in accordance with the instructions. It covers the purchaser only and is not transferable.

Commercial / Business Use

Any Kohler Bathroom product used within a commercial / business premise is guaranteed for **1 Year** against any defect of materials or workmanship

Not Covered by this Guarantee

Damage or defects arising from incorrect installation, improper use or lack of maintenance.

Installed product damaged in transit Consequential loss, damage or product removal and installation costs.

General wear and tear.

This guarantee is in addition to your statutory and other legal rights.

Applies to the UK only.

To Contact Us

Kitchen and Bathroom Taps and Accessories

Tel: 0870 240 7896

Fax: 01242 282 595

Email: technical@mirashowers.com

Website: www.kohleruk.com

Showers and Fittings

Tel: 0870 241 0888

Fax: 01242 282 595

Email: technical@mirashowers.com

Website: www.kohleruk.com

All other Kohler Products

Tel: 0870 850 5551

Fax: 0870 850 5552

Email: info@kohleruk.com

Website: www.kohleruk.com

Kohler Mira Ltd
Cromwell Road,
Cheltenham GL52 5EP.

The company reserves the right
to alter product specifications
without notice.

KOHLER.