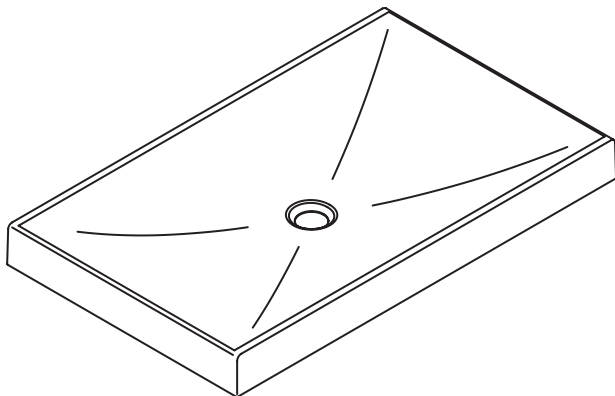


# KOHLER®



## Antilia Wading Pool Glass Countertop

### Installation and User Guide

#### MODEL NUMBERS

K-2369

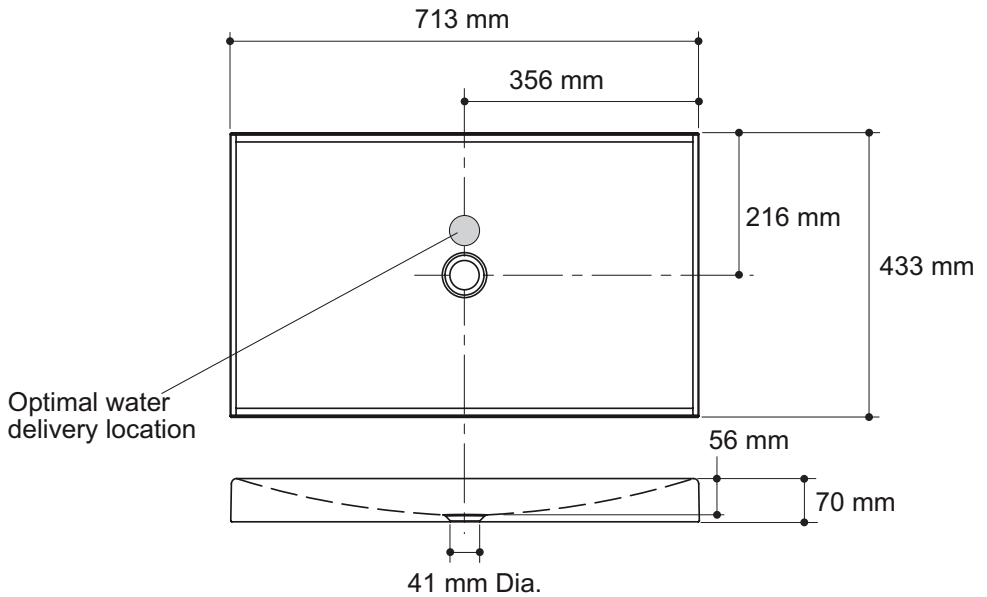
**Important!** Please quote the above model number(s) when ordering spares

#### IMPORTANT

**INSTALLER:** THIS MANUAL IS THE PROPERTY OF THE CUSTOMER AND MUST BE RETAINED WITH THE PRODUCT FOR MAINTENANCE AND OPERATIONAL PURPOSES.



# DIMENSIONS

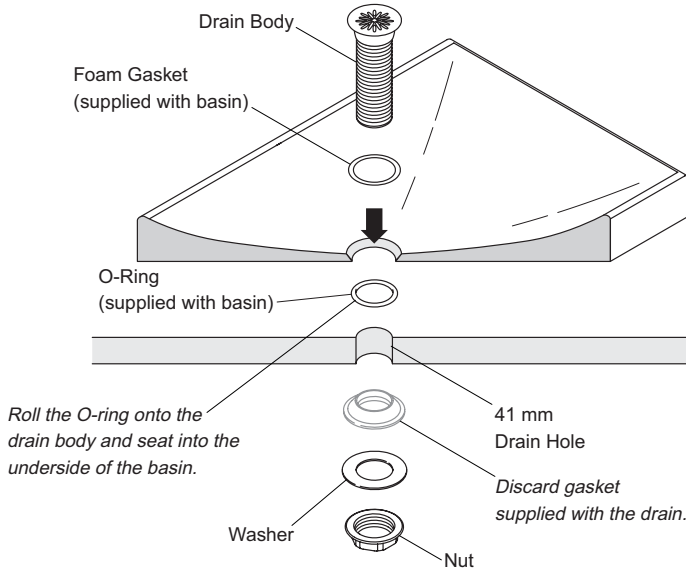


# INSTALLATION

## General

1. Make sure that the basin is installed by a competent installer.
2. Before installation carefully inspect the product for any signs of damage.

## Install the Basin



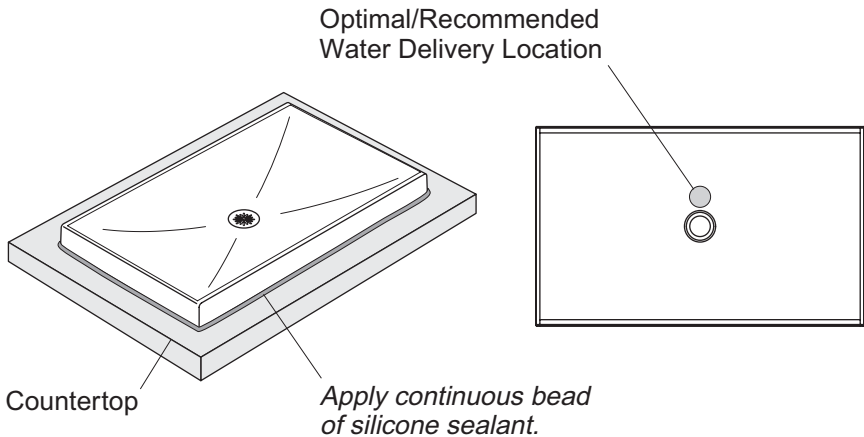
**Caution!** Risk of product damage. Do not overtighten connections.  
Position the white foam pad on the countertop at the installation location.

**Important!** The white foam pad provided may be placed on the countertop to enhance the colour of the basin. If you are planning to install your basin with the foam pad, use care to not damage or mark-up the pad when locating the drain hole location.

1. Trace the drain hole onto the countertop.
2. Remove the foam pad and set aside.
3. Drill a 41 mm (1-5/8") hole, at the marked location
4. Optional: Place the white foam pad on the countertop and line up the hole in the white foam pad with the drain hole.
5. Discard the gasket supplied with the drain.
6. Slide the foam gasket onto the drain body.
7. Insert the drain body into the basin drain hole.
8. Roll the O-ring onto the drain body. Roll the O-ring up the drain body until it is seated in the underside of the basin.

9. Align the basin and drain body assembly with the drain hole in the countertop. Lower the drain body through the countertop drain hole until the basin rests on the countertop.
10. Slide the washer onto the drain body.
11. Thread the nut onto the drain body.
12. Tighten the nut until secure, making sure the drain is properly centered in the basin. Do not overtighten.

### Complete the Installation



**Important!** When installing the tap, the water should contact the basin in the area shown in the diagram for best performance.

1. Apply a thin bead of clear silicone sealant where the basin meets the countertop.
2. Install the tap in accordance with the tap manufacturer's instructions.

# USER MAINTENANCE

## **Cleaning**

Many household cleaners contain abrasive and chemical substances, and should not be used for cleaning plated or plastic fittings.

These finishes should be cleaned with a mild washing up detergent or soap solution, and then wiped dry using a soft cloth.

# NOTES

# CUSTOMER CARE

## Guarantee of Quality

Kohler UK guarantee products against any defect of materials or workmanship for the following periods

# 25 Years

Ceramic Ware and Cast Products

# 10 Years

Stainless Steel Products and, Acrylic Baths

# 5 Years

Shower Valves, Taps, Cistern  
Fittings, Toilet Seats and Bath  
Panels

# 2 Years

Bathroom Furniture and  
Accessories

# 1 Year

Whirlpool / Spa Baths

**Our confidence in the quality and reliability of our superior products enables us to offer a comprehensive guarantee for all products.**

To register and fully benefit from this guarantee you must return the enclosed product registration card indicating the Kohler items you have purchased.

Within the guarantee period we will undertake to resolve any material defects, by providing replacement parts, modules or complete product, as we deem appropriate. To be free of charge, work must only be undertaken by Kohler UK approved personnel.

To ensure that any problems can be promptly resolved you must contact Kohler UK directly.

Proof of purchase must be provided with any claims.

This guarantee covers products in domestic use, installed and maintained in accordance with the instructions. It covers the purchaser only and is not transferable.

### Commercial / Business Use

Any Kohler Bathroom product used within a commercial / business premise is guaranteed for **1 Year** against any defect of materials or workmanship.

### Not Covered by this Guarantee

Damage or defects arising from incorrect installation, improper use or lack of maintenance.

Installed product damaged in transit Consequential loss, damage or product removal and installation costs.

General wear and tear.

This guarantee is in addition to your statutory and other legal rights.

### To Contact Us

#### Kitchen and Bathroom Taps and Accessories

Tel: 0870 240 7896

Fax: 01242 282 595

Email: [technical@mirashowers.com](mailto:technical@mirashowers.com)

Website: [www.kohler.co.uk](http://www.kohler.co.uk)

#### Showers and Fittings

Tel: 0870 241 0888

Fax: 01242 282 595

Email: [technical@mirashowers.com](mailto:technical@mirashowers.com)

Website: [www.kohler.co.uk](http://www.kohler.co.uk)

#### All other Kohler Products

Tel: 0870 850 5551

Fax: 0870 850 5552

Email: [info@kohleruk.com](mailto:info@kohleruk.com)

Website: [www.kohler.co.uk](http://www.kohler.co.uk)

Kohler Mira Ltd  
Cromwell Road,  
Cheltenham GL52 5EP.

The company reserves the right to alter  
product specifications without notice.

# KOHLER.