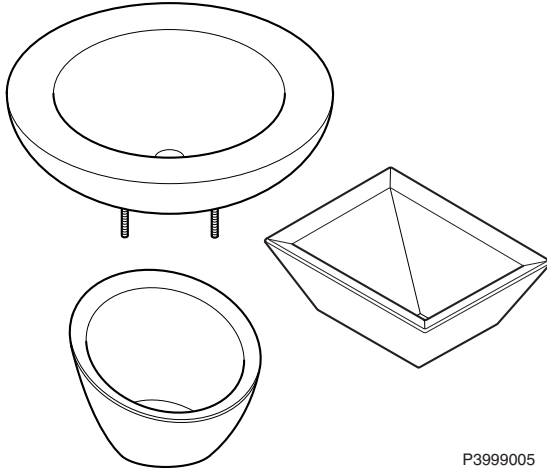


KOHLER®



P3999005

Bateau, Crucible and Timpani Vessels

Installation and User Guide

MODEL NUMBERS

2273W 2271D 2277D

Important :- Please quote the above model number(s) when ordering spares.

IMPORTANT!

Installer: This manual is the property of the customer and must be retained with the product for maintenance and operational purposes.

CONTENTS

DESCRIPTION	3
SAFETY : WARNINGS	3
DIMENSIONS	4
SPECIFICATION	7
Plumbing Connections	7
INSTALLATION	7
Before You Begin	7
Install the Vessel - All	8
Install the Vessel - Timpani	9
Install the Vessel - Bateau	11
Install the Vessel - Crucible	12
Install the Plumbing	13
USER MAINTENANCE	13
Cleaning	13
SPARE PARTS	15
CUSTOMER SERVICE	16
Guarantee of Quality	16
Commercial / Business Use	16
Not Covered by this Guarantee	16
To Contact Us	16

DESCRIPTION

The Bateau and crucible Vessels are vitreous china washbasins and the Timpani Vessel is a stainless steel washbasin.

SAFETY : WARNINGS

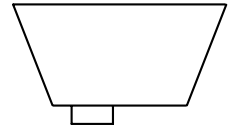
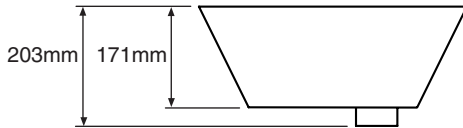
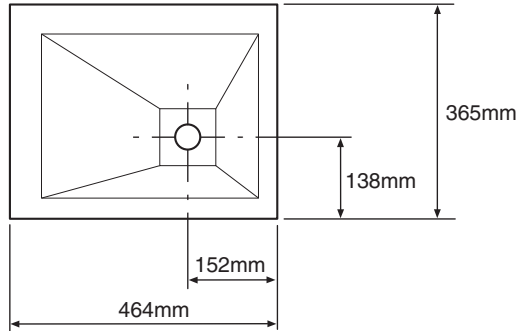
Kohler products are precision-engineered and should give continued superior and safe performance, provided:

1. They are installed, commissioned, operated and maintained in accordance with the recommendations given in this Manual.
2. Periodic attention is given, as necessary, to maintain the product in good functional order. Recommended guidelines are given in the **MAINTENANCE** section.

Carefully inspect the new fixture for any signs of damage.

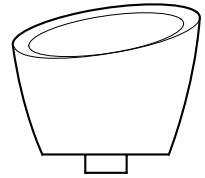
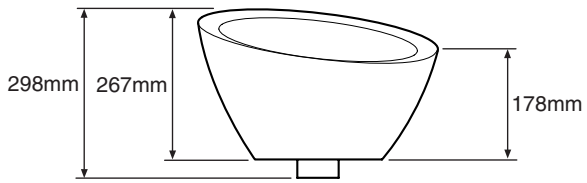
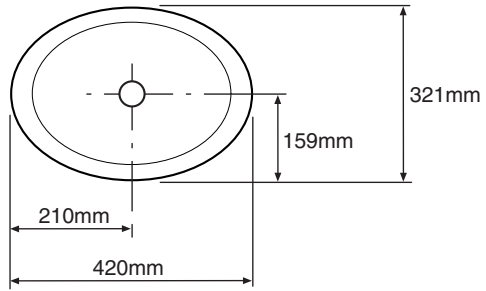
When installing Kohler Products, manufacturers guidelines for power tool safety should be followed.

DIMENSIONS



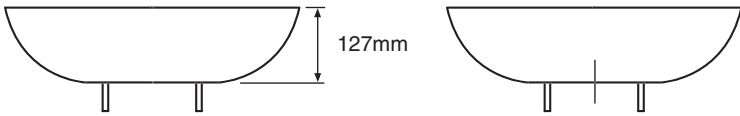
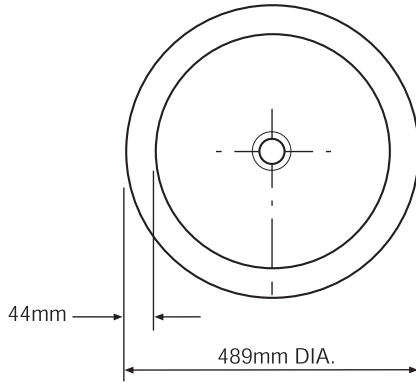
BATEAU

P3999010



CRUCIBLE

P3999020



TIMPANI

P3999030

SPECIFICATION

Plumbing Connections

Hot (H) and Cold (C) inlets must be connected to the correct inlet supplies.

INSTALLATION

Before You Begin

1. Turn off the water supply.
2. The plumbing installation must comply with Water Supply Regulations/Bye-laws (Scotland), Building Regulations or any particular regulations and practices, specified by the local water company or water undertakers. The installation should be carried out by a plumber or contractor who is registered with, or is a member of an association such as:

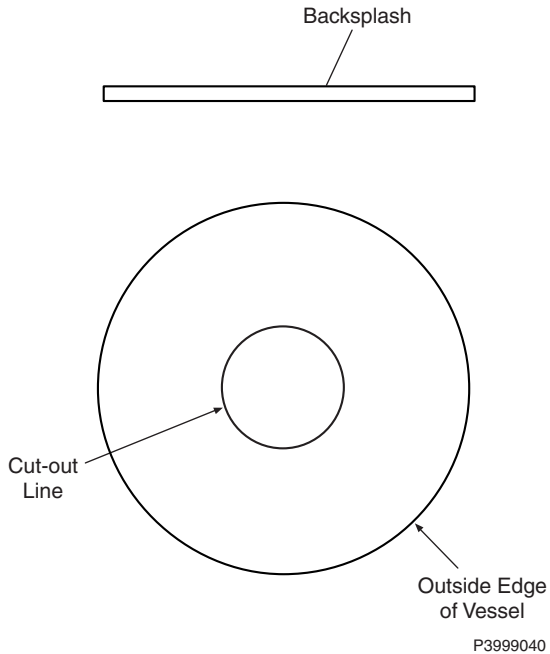
Institute of Plumbing (IOP), throughout the UK.

National Association of Plumbing, Heating and Mechanical Services Contractors (NAPH & MSC), England and Wales.

Scottish and Northern Ireland Plumbing Employers' Federation (SNIPEF), Scotland and Northern Ireland.

3. Before installation carefully inspect the new fixture for any signs of damage.

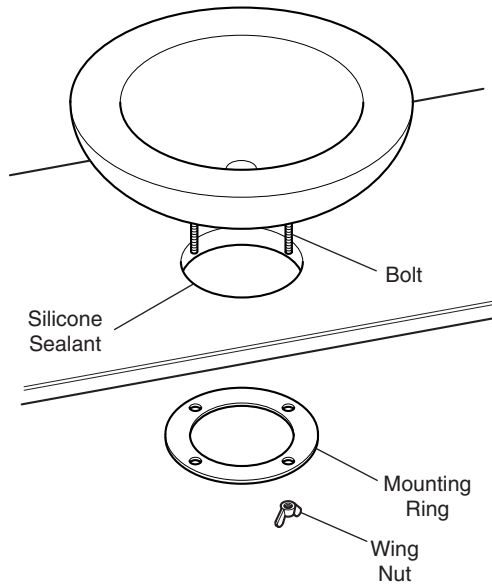
Install the Vessel - All



Note! The tap spout should be at least 205mm long for adequate clearance into the vessel.

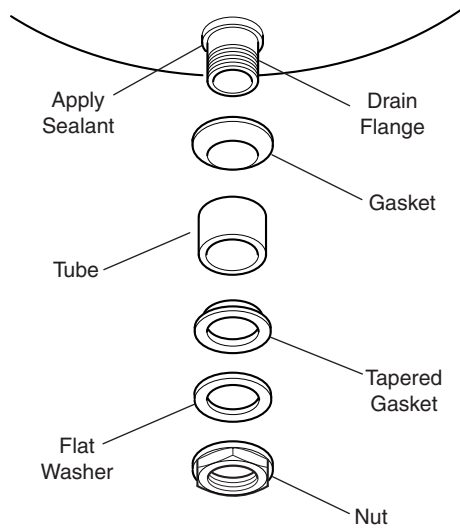
1. Use the installation template to mark the outline for cutting.
2. Position the template on the counter.
3. Use a pencil to trace the outline on the counter.
4. Using a suitable power tool, cut out the opening for the vessel.
5. Temporarily position the vessel into the counter cutout and check for fit.
6. Remove the vessel from the counter cutout and carefully set aside.
7. Install the taps in accordance with the manufacturer's instructions.

Install the Vessel - Timpani



P3999050

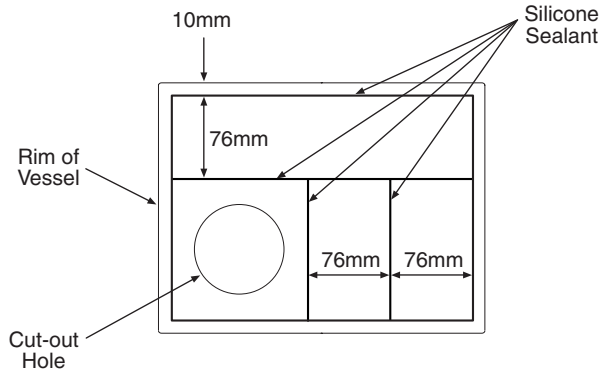
1. Apply silicone sealant around the counter cutout hole.
2. Carefully position the vessel into place over the counter cutout.
3. Position the vessel so the "Kohler" logo is clearly visible at the back.
4. Position the mounting ring holes over the vessel bolts.
5. Securely hand tighten the wing nuts to ensure the vessel is level, but do not overtighten.



P3999060

6. Install the drain in accordance with the manufacturer's instructions.
7. Clean the vessel and surround with a suitable non-abrasive cleaner.

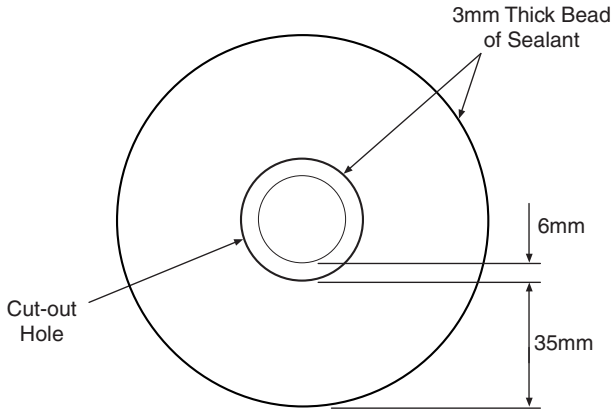
Install the Vessel - Bateau



P3999070

1. Apply silicone sealant to the counter top in the areas shown.
2. Carefully position the vessel into the counter cutout and press down gently.
3. Clean the vessel and surround with a suitable non-abrasive cleaner.

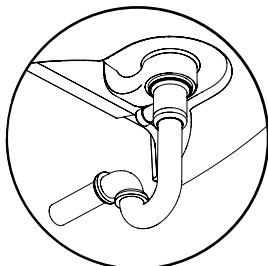
Install the Vessel - Crucible



P3999080

1. Apply a bead of silicone sealant approximately 6mm from the edge of the cutout hole.
2. Apply another bead of silicone sealant approximately 35mm from the first bead.
3. Position the vessel into the counter cutout and press down gently.
4. Clean the vessel and surround with a suitable non-abrasive cleaner.

Install the Plumbing



P3998170

1. Install the drain in accordance with the manufacturer's instructions.

Caution! Make sure a watertight seal exists on all basin drain connections.

Caution! Provide access to the plumbing connections for future plumbing maintenance.

2. Connect the hot and cold water supplies.
3. Open the hot and cold water valves, and check the supply connections for leaks.
4. Run water into the vessel, and check the drain connections for leaks.

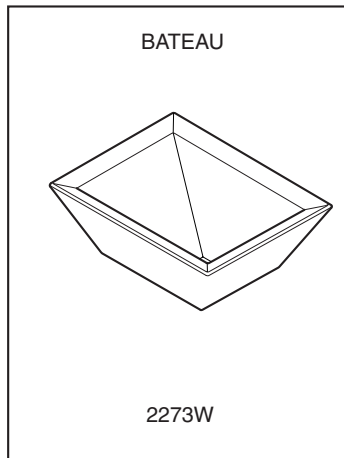
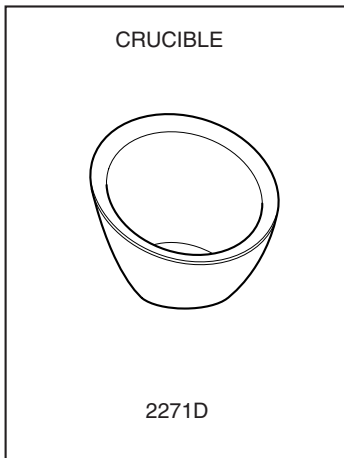
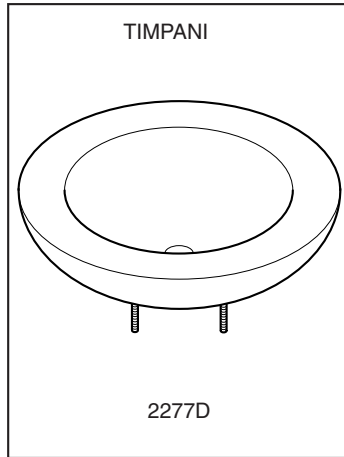
USER MAINTENANCE

Cleaning

Caution! Risk of product damage. Many cleaners contain abrasive and chemical substances, and should not be used for cleaning stainless steel, enamel, plated or plastic fittings. These finishes should be cleaned using

a mild washing up detergent or soap solution, rinsed and then wiped dry with a soft clean cloth.

SPARE PARTS



P3999090

CUSTOMER SERVICE

Guarantee of Quality

Kohler UK guarantee products against any defect of materials or workmanship for the following periods

25 Years

Ceramic ware and cast products

10 Years

Stainless steel products, Acrylic baths and shower trays

5 Years

Shower valves, shower enclosures, taps, cistern fittings, toilet seats, bath panels, bathroom furniture and accessories

2 Years

Bathroom Furniture

1 Year

Whirlpool / Spa baths

Our confidence in the quality and reliability of our superior products enables us to offer a comprehensive guarantee for all products.

To register and fully benefit from this guarantee you must return the enclosed product registration card indicating the Kohler items you have purchased.

Within the guarantee period we will undertake to resolve any material defects, by providing replacement parts, modules or complete product, as we deem appropriate. To be free of charge, work must only be undertaken by Kohler UK approved personnel.

To ensure that any problems can be promptly resolved you must contact Kohler UK directly.
Proof of purchase must be provided with any claims.

This guarantee covers products in domestic use, installed, operated and maintained in accordance with the instructions. It covers the purchaser only and is not transferable.

Commercial / Business Use

Any Kohler Bathroom product used within a commercial / business premise is guaranteed for **1 Year** against any defect of materials or workmanship

Not Covered by this Guarantee

Damage or defects arising from incorrect installation, improper use or lack of maintenance.
Installed product damaged in transit
Consequential loss, damage or product removal and installation costs.
General wear and tear.

This guarantee is in addition to your statutory and other legal rights.
Applies to the UK only.

To Contact Us

Tel: 0870 8505551

Fax: 0870 8505552

email: info@kohleruk.com

Website: www.kohleruk.com

Kohler Mira Ltd
Cromwell Road,
Cheltenham GL52 5EP.

The company reserves the right to alter product specifications without notice.

KOHLER.