

INSTALLATION

General

1. Make sure that the bidet is installed by a competent installer.
2. Before installation carefully inspect the new item for any signs of damage.

Install the Bidet

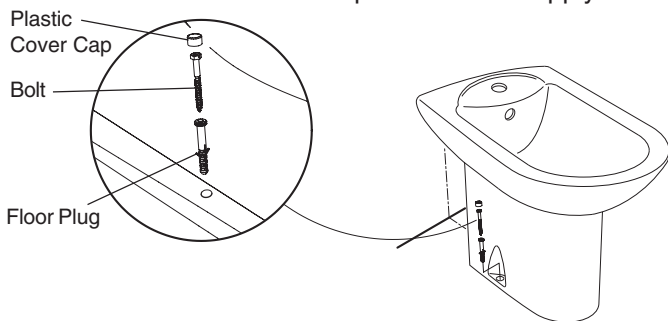
1. Install the services.
2. Make sure that the hot and cold water supply pipes and the waste are installed correctly.

Note! The hot and cold water supplies must be installed with isolating valves.
3. Fit the tap to the bidet in accordance with the manufacturer's instructions.
4. Fit the drain to the bidet in accordance with the manufacturer's instructions.

Install the Bidet (method 1)

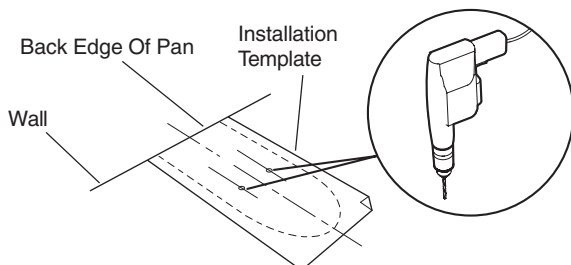
1. Position the bidet and mark through the position of the fixing holes in the base of the bidet.

Caution! Make sure that you avoid hidden cables and pipes when drilling holes in the floor.
2. Remove the bidet and drill the holes with an 8 mm drill.
3. Position the bidet and connect the bidet to the waste outlet and connect the tap to the water supply.

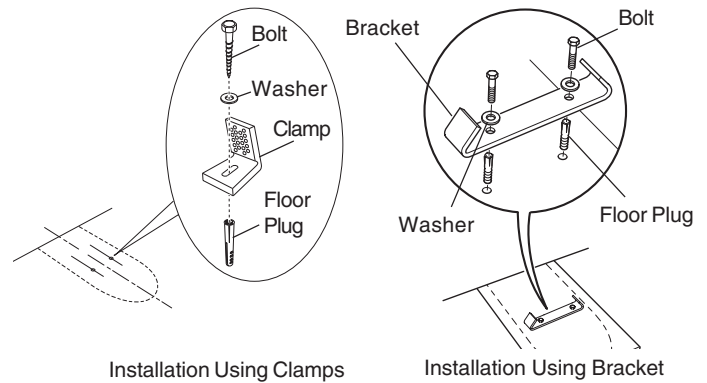


4. Secure the bidet in position with the floor plugs and the bolts. Fit the plastic cover caps over the heads of the bolts.

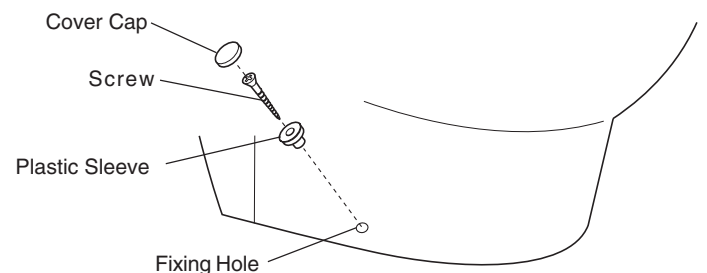
Install the Bidet (method 2)



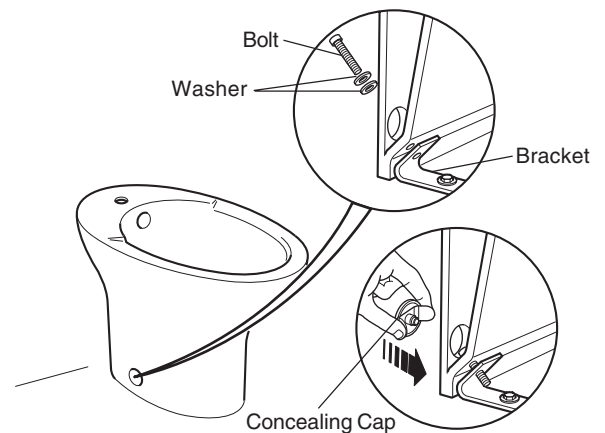
1. Place the template on the floor, align the back edge to the wall and secure the template in position. Drill the fixing holes with an 8 mm drill.



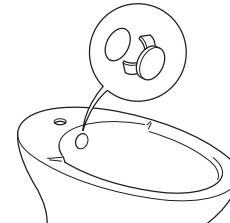
2. Fit the clamps or bracket to the floor and secure in position with the floor plugs, washers and the bolts.
3. Lift the bidet into position over the floor fixings and connect the waste outlet pipe and the water supply.



4. Secure the bidet to the clamps with the plastic sleeves and the screws. Fit the plastic cover caps over the heads of the screws.



5. Secure the bidet to the bracket with the bolts and the washers. Fit the concealing caps to cover the bolt heads.



6. Fit the plastic cap in the overflow hole of the bidet (if supplied).

Finish the Installation

1. Ensure that all the connections are tight.
2. Turn on the water supply and check for any leaks.