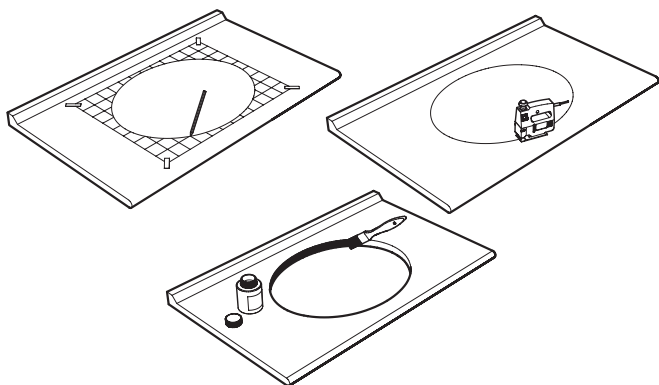


INSTALLATION

General

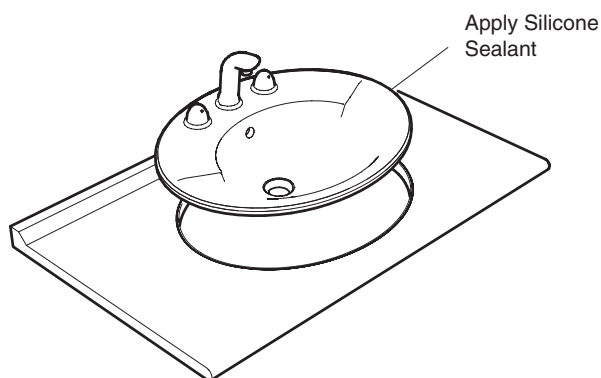
1. Make sure that the vanity washbasin is installed by a competent installer.
2. Before installation carefully inspect the new fixture for any signs of damage.

Install the Vanity Washbasin

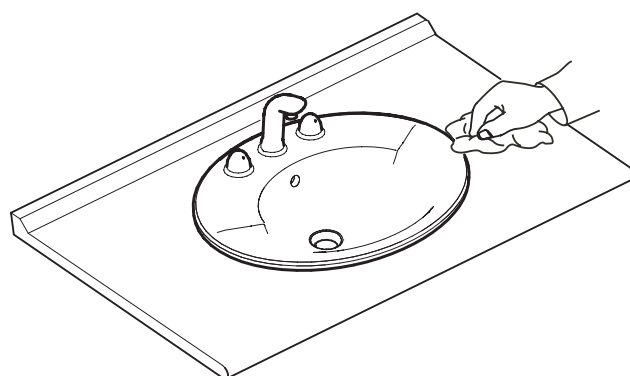


1. Secure the installation template to the counter and mark around the template with a pencil.
2. Cut a hole in the counter.
3. Coat the inside of the recess with a suitable varnish in accordance with the manufacturer's instructions.
4. Install the services.

Note! The hot and cold water supplies must be installed with isolating valves.
5. Fit the tap to the washbasin in accordance with the manufacturer's instructions.



6. Apply silicone sealant under the rim of the vanity washbasin in accordance with the manufacturer's instructions.
7. Carefully position the washbasin into the recess.



7. Remove any excess silicone sealant and fill any voids as required.
8. Allow the silicone sealant to cure for at least 30 minutes before proceeding with the installation.

Finish the Installation

1. Install the drain in accordance with the manufacturer's instructions.
2. Connect the hot and cold water supplies.
3. Ensure that all the connections are tight.
4. Turn on the water supply and check for any leaks.

USER MAINTENANCE

Cleaning

Caution! Risk of product damage.

Many cleaners contain abrasive and chemical substances, and should not be used for cleaning stainless steel, enamel, plated or plastic fittings.

These finishes should be cleaned using a mild washing up detergent or soap solution, rinsed and then wiped dry with a soft clean cloth.