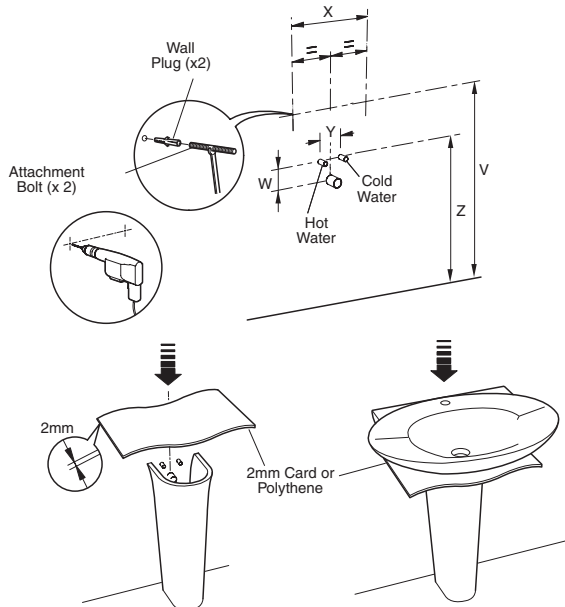


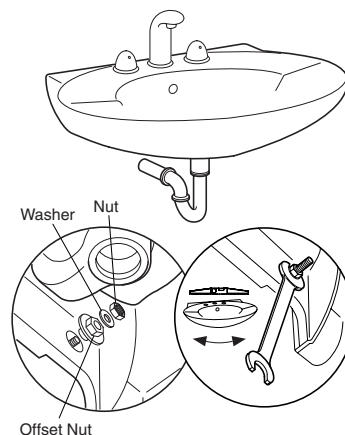
INSTALLATION

Install the Basin

1. Make sure that the basin is installed by a competent installer.
2. Before installation carefully inspect the new item for any signs of damage.

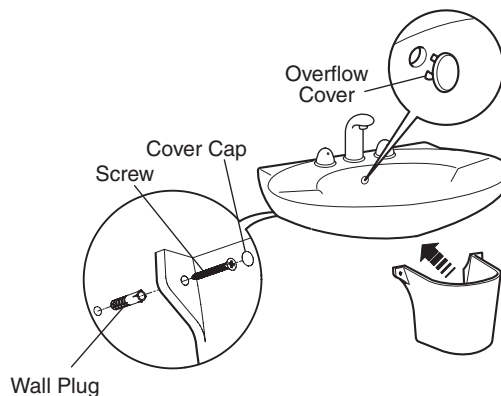


8. Fit the wall plugs and the attachment bolts.
9. Fit the tap and waste to the basin in accordance with the manufacturer's instructions.
10. Apply silicone sealant to the back of the basin (optional).



11. Fit the basin in position over the attachment bolts
12. Adjust the offset nut until the basin is level.
13. When the basin is level, fit the washers and the nuts and secure in place.
14. Remove any excess silicone sealant.
15. Reposition the full pedestal (if required).

Install the Semi-Pedestal



1. Hold the semi-pedestal in position and mark the position of the fixing holes.
2. Drill the holes and secure the semi-pedestal in position with wall plugs and screws (not supplied). Place cover caps over the heads of the screws.
3. Place the overflow cover over the overflow hole in the basin (if supplied).

	Basin	V	W	X	Y	Z
4152W	Patio	795	80	180	80	630
19490	Patio	795	80	280	80	630
19496	Patio	800	80	280	80	630
19082	Odela	795	80	280	80	635
19083	Odela	805	80	280	80	645
19499W	Odela	790	80	280	80	630
19953 & 5	Ove	790	80	280	80	630
19961	Ove	800	80	280	80	640
19072 & 3	Presquile	785	80	280	80	625
19023 & 34	Escale	835	130	280	80	720
2287W	Devonshire	745	110	375	80	595
19450	Freelance	805	80	280*	80	630
19451	Freelance	805	80	280*	80	630
19452	Freelance	805	80	280	80	630
19458	Freelance	805	80	200	80	630

Note! *All dimensions based on waste centreline except freelance. LH - only 50 mm on left, RH - only 50 mm on right

3. Install the services.
4. Make sure that the hot and cold water supply pipes and the waste are installed correctly.
5. Position the pedestal and place a 2 mm thick piece of card or polythene on top of it. Place the basin on top of this and ensure it is level (not required if using semi- pedestal).
6. Mark through the positions of the fixing holes.
7. Remove the basin and drill the fixing holes.

SPARE PARTS

Part Number	Description
5527-NF	Basin Fixings
E4061	Overflow Cover

Kohler Mira Limited
Cromwell Road,
Cheltenham GL52 5EP

Tel: 0870 8505551
Fax: 0870 8505552
email: info@kohleruk.com
Website: www.kohleruk.com

KOHLER®