

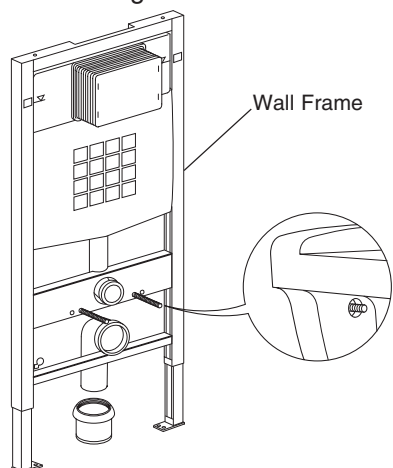
### INSTALLATION

#### General

Wall hung WC pans require a wall mount frame and cistern. Recommended frames are the Geberit Duofix II.

#### Install the Plumbing

1. Make sure that the wall hung WC pan is installed by a competent installer.
2. Before installation carefully inspect the new fixture for any signs of damage.

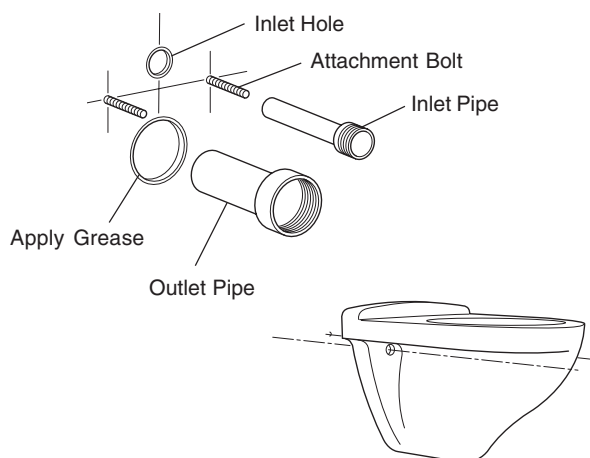


3. Install the wall frame in accordance with the manufacturer's instructions
4. Make sure that the services are installed to the dimensions specified for each particular wall hung pan.

**Caution!** Make sure that you avoid hidden cables and pipes when drilling holes in the wall.

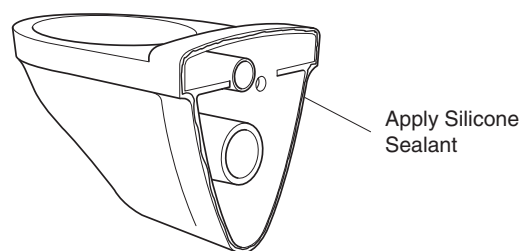
**Caution!** Make sure that a watertight seal exists on all WC drain connections.

**Caution!** Provide access to the plumbing connections for future plumbing maintenance.

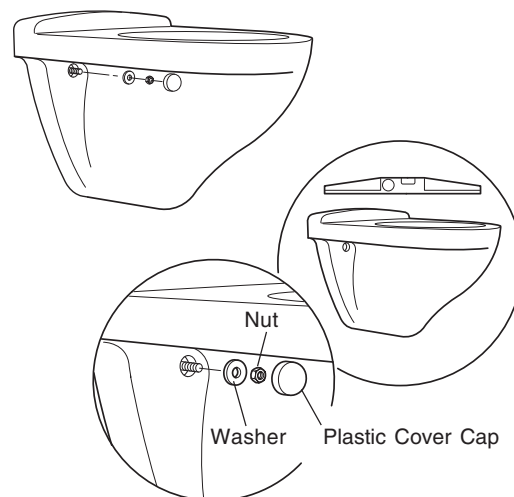


5. Apply a layer of grease to the inside of the inlet and outlet pipe holes.
6. Cut the inlet and outlet pipes to the correct length and fit securely in accordance with the manufacturer's instructions.

#### Install the WC Pan



1. Apply silicone sealant to the back of the pan.



2. Fit the pan over the attachment bolts.
3. Check that the pan is level. Fit the washer and the nut to secure in place.
4. Remove any excess silicone sealant.
5. Fit the plastic cover caps over the nuts.

#### Finish the Installation

1. Ensure that all the connections are tight.
2. Turn on the water supply and check for any leaks.

### USER MAINTENANCE

#### Cleaning

**Caution! Risk of product damage.**

Many cleaners contain abrasive and chemical substances, and should not be used for cleaning stainless steel, enamel, plated or plastic fittings.

These finishes should be cleaned using a mild washing up detergent or soap solution, rinsed and then wiped dry with a soft clean cloth.