

## Candide 600 mm washbasin

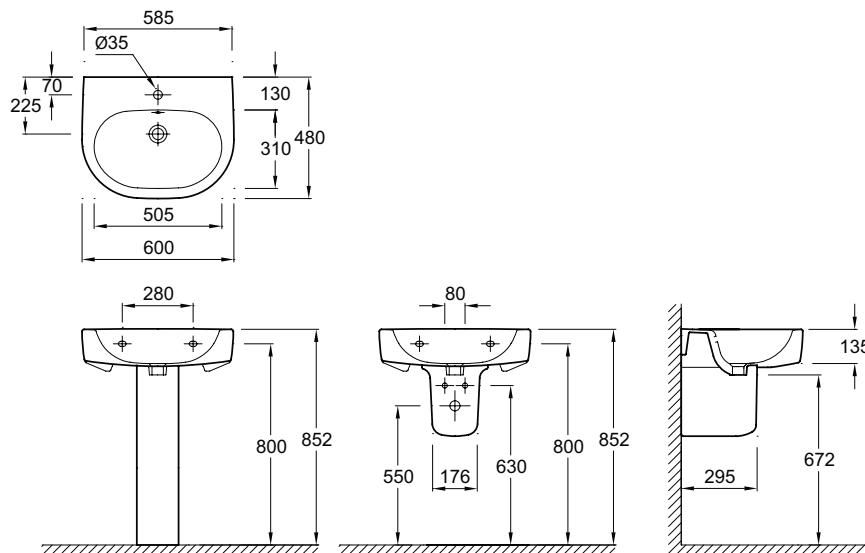
17151W

<b>Product Description:</b>	Candide washbasin, 600 mm, 1 tap hole
<b>Recommended Item:</b>	17153W-00 Full pedestal 17154W-00 Semi-pedestal
<b>Product Dimensions:</b>	W600 x D480 mm
<b>Colour/Finish:</b>	White
<b>Material:</b>	Vitreous China
<b>Product Weight (kg):</b>	16.2
<b>Fixings Included:</b>	Yes
<b>Guarantee (Years):</b>	25



**Additional Information:** Rinse thoroughly and use a soft cloth to wipe the product dry after use. Soft abrasive cleaners may be used when necessary to clean vitreous china products. Strong abrasive cleaners will scratch and dull the surface. Wipe any splashes of cleaning solutions from plastic or plated surfaces immediately.

## Dimensions (mm)



## Kohler UK

Sales and Technical: +44 (0) 844 571 0048  
Calls cost 7p per minute plus your phone company's access charge.  
info@kohler.co.uk  
www.KOHLER.co.uk

THE BOLD LOOK  
OF **KOHLER**®