

## Empress Bouquet™ Design on Conical Bell® Vessel Basin

14223

**Product Description:** Empress Bouquet design on Conical Bell vessel basin for countertop installation, no tap hole

**Required Items:** 7129B-CP Decorative waste

**Recommended Items:** 9655D-P5 Wrought iron wall-mount bracket

**Product Dimensions:** 413 mm diameter

**Material:** Vitreous China

**Product Weight (kg):** 7.3

**Fixings Included:** Yes

**Guarantee (Years):** 25

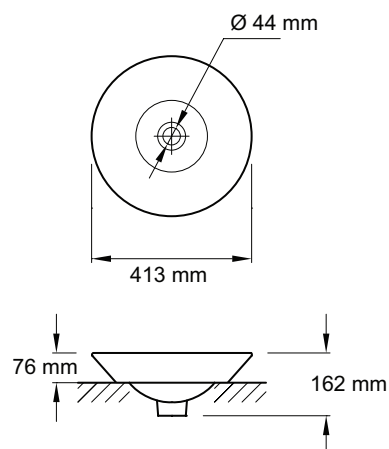
**Additional Information:** Rinse thoroughly and use a soft cloth to wipe the product dry after use. Soft abrasive cleaners and warm water may be used when necessary to clean your decorative products. Strong abrasive cleaners will scratch and dull the surface.

**Colours:**



Empress Bouquet

**Dimensions (mm)**



**Kohler UK**

Sales and Technical:

+44 (0) 844 571 0048 (Calls cost 7p per minute plus your phone company's access charge)

info@kohler.co.uk

www.KOHLER.co.uk

THE BOLD LOOK  
OF **KOHLER**®