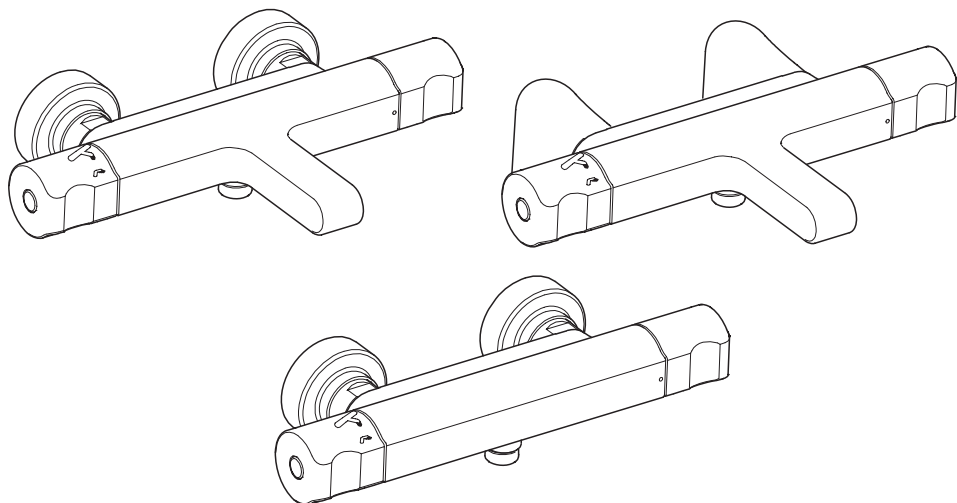


KOHLER®



Singulier Deck and Wall Mounted Bath/ Shower Mixers and Wall Mounted Thermostatic Shower Installation and User Guide

MODEL NUMBERS

10870W, 10871W, 10872W

Important! Please quote the above model number(s) when ordering spares

IMPORTANT

INSTALLER: THIS MANUAL IS THE PROPERTY OF THE CUSTOMER AND MUST BE RETAINED WITH THE PRODUCT FOR MAINTENANCE AND OPERATIONAL PURPOSES.

CONTENTS

Specification	2
Pressures	2
Temperatures	2
Installation	3
Before you Begin.....	3
Install the Wall Mounted Mixer	3
Install the Deck Mounted Mixer	4
Connect the Shower Fittings	5
Finish the Installation.....	5
Operation.....	5
Flow Handle - Diverter for Bath/Shower.....	5
User Maintenance	6
Cleaning	6
Spare Parts	6
Dimensions	7
Customer Care	8

SPECIFICATION

Pressures

Minimum water supply pressure: 0.5 bar.

Maximum water supply pressure: 5 bar.

Recommended water supply pressure: 3 bars on hot and cold water.

If the water supply pressure exceeds 5 bar install a pressure reducing valve.

Temperatures

Minimum hot water supply temperature: 50°C

Maximum hot water supply temperature:70°C

Recommended hot water supply temperature: 60°C

Temperature adjustment range (approximate): 20°C - 50°C

Safety button set at: 40°C

Maximum hot water temperature from mixer: 50°C

INSTALLATION

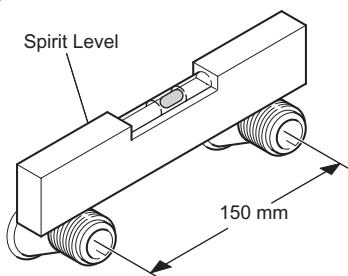
Before you Begin

1. Make sure that the tap is installed by a competent installer.
2. Turn off the water supply.
3. The plumbing installation must comply with Building Regulations or any particular regulations and practices, specified by the local water company or water undertakers.

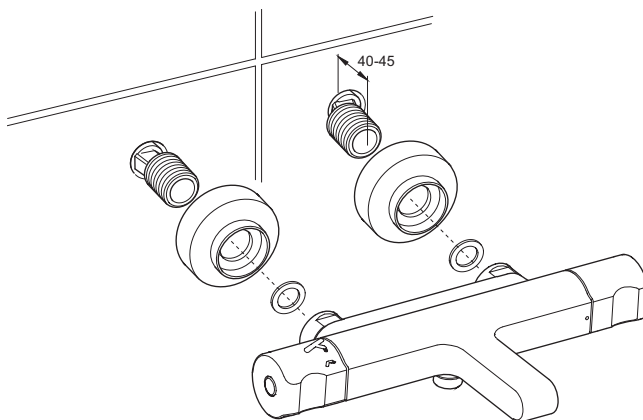
Install the Wall Mounted Mixer

1. Install the bath and drain (refer to the manufacturer's instructions).

Note! When wall mounting the mixer it should be noted that the product is supported by the pipework only.



2. Make sure that the connectors are level and set at the correct distance apart.

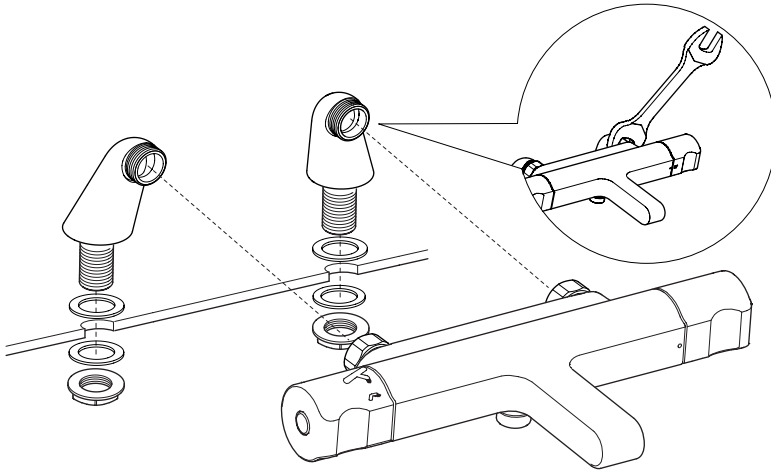


Note! Make sure that the connectors extend 40 - 45 mm from the finished wall.

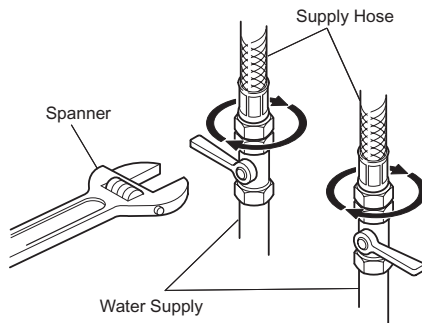
3. Screw on the concealing plates hand tight.
4. Position the washer on each of the nuts.
5. Align the mixer and connectors and tighten the nuts using the special tool supplied.

Note! Make sure that you do not damage the chrome plated surfaces when you tighten the nuts.

Install the Deck Mounted Mixer



1. Screw the two column connectors to the mixer hand tight.
2. Place the sealing plates over the threaded section of the column connectors.
3. Apply a ring of sealant in accordance with the manufacturer's instructions on the underside face of the column connector.
4. Fit the mixer through the top of the bath.
5. Install the washers and the locknuts. Use a tap spanner to tighten the nut.
6. Remove any excess sealant.
7. Align the mixer and connectors and tighten the nuts using a suitable spanner.

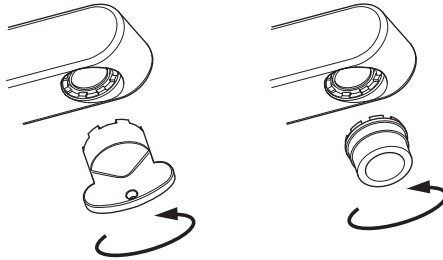


8. Install the bath (refer to the manufacturer's instructions).
9. Connect the supply hoses to the water supply.
10. Connect the bath waste to the outlet.

Connect the Shower Fittings

1. Install the shower fittings (refer to the manufacturer's instructions).
2. Connect the shower fittings to the mixer.

Finish the Installation



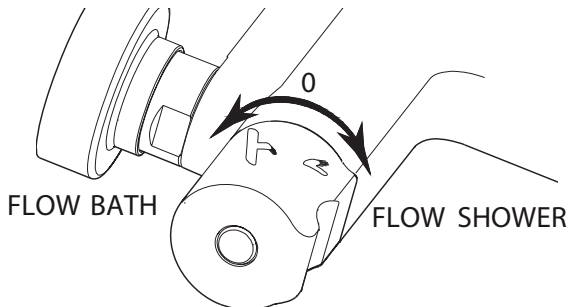
1. Make sure that the mixer knobs are in the off position.
2. Turn on the hot and cold water supplies and check for leaks from both the mixer and the drain.
3. Use the special key (provided) to unscrew and remove the aerator.
4. Turn on the hot and cold knobs and allow the water to run for approximately one minute to remove any debris.
5. Turn the hot and cold knobs to the off position and re-install the aerator using the special key.

Operation

Set the temperature by slowly turning the temperature selector (right handle).

For safety reasons there is a stop that limits the temperature to 40°C. To get a higher temperature, push the button and continue turning the temperature selector

Flow Handle - Diverter for Bath/Shower



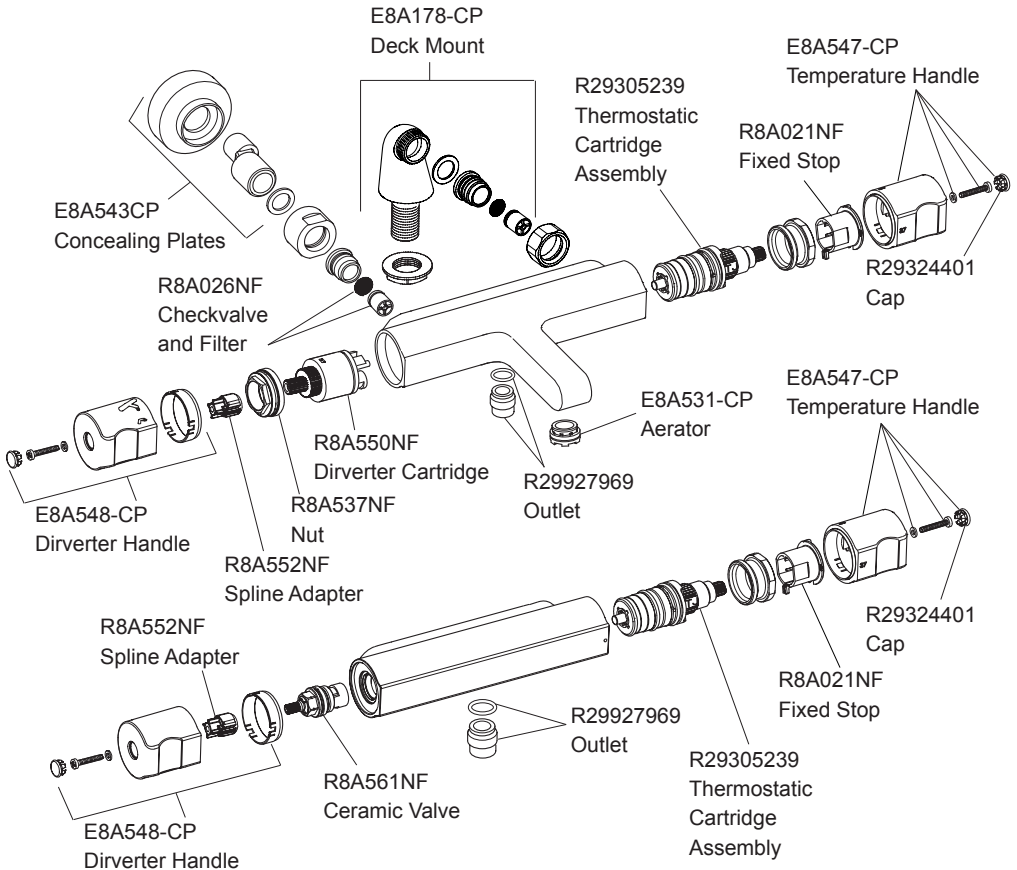
USER MAINTENANCE

Cleaning

Many household cleaners contain abrasive and chemical substances, and should not be used for cleaning plated or plastic fittings.

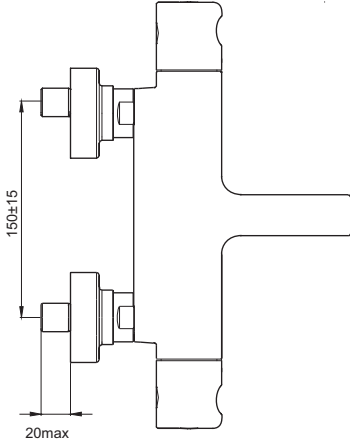
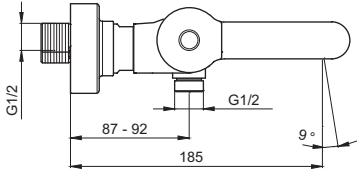
These finishes should be cleaned with a mild washing up detergent or soap solution, and then wiped dry using a soft cloth.

SPARE PARTS

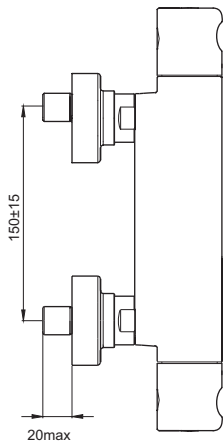
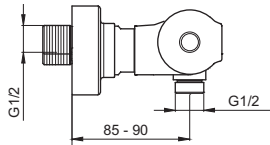


DIMENSIONS

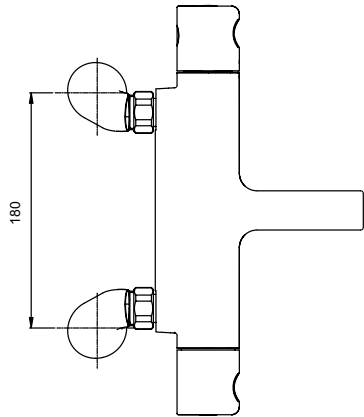
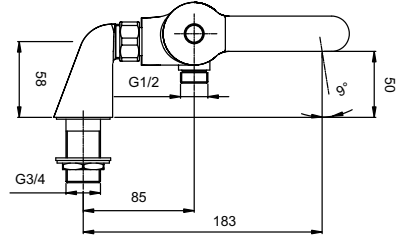
10870W



10872W



10871W



All dimensions in mm

CUSTOMER CARE

Guarantee of Quality

Kohler UK guarantee products against any defect of materials or workmanship for the following periods

25 Years

Ceramic Ware and Cast Products

10 Years

Stainless Steel Products and, Acrylic Baths

5 Years

Shower Valves, Taps, Cistern
Fittings, Toilet Seats and Bath
Panels

2 Years

Bathroom Furniture and
Accessories

1 Year

Whirlpool / Spa Baths

Our confidence in the quality and reliability of our superior products enables us to offer a comprehensive guarantee for all products.

To register and fully benefit from this guarantee you must return the enclosed product registration card indicating the Kohler items you have purchased.

Within the guarantee period we will undertake to resolve any material defects, by providing replacement parts, modules or complete product, as we deem appropriate.

To be free of charge, work must only be undertaken by Kohler UK approved personnel.

To ensure that any problems can be promptly resolved you must contact Kohler UK directly.

Proof of purchase must be provided with any claims.

This guarantee covers products in domestic use, installed and maintained in accordance with the instructions. It covers the purchaser only and is not transferable.

Commercial / Business Use

Any Kohler Bathroom product used within a commercial / business premise is guaranteed for **1 Year** against any defect of materials or workmanship.

Not Covered by this Guarantee

Damage or defects arising from incorrect installation, improper use or lack of maintenance.

Installed product damaged in transit Consequential loss, damage or product removal and installation costs.

General wear and tear.

This guarantee is in addition to your statutory and other legal rights.

To Contact Us

Kitchen and Bathroom Taps and Accessories

Tel: 0870 240 7896

Fax: 01242 282 595

Email: technical@mirashowers.com

Website: www.kohleruk.com

Showers and Fittings

Tel: 0870 241 0888

Fax: 01242 282 595

Email: technical@mirashowers.com

Website: www.kohleruk.com

All other Kohler Products

Tel: 0870 850 5551

Fax: 0870 850 5552

Email: info@kohleruk.com

Website: www.kohleruk.com

Kohler Mira Ltd
Cromwell Road,
Cheltenham GL52 5EP.

The company reserves the right to alter
product specifications without notice.

KOHLER.