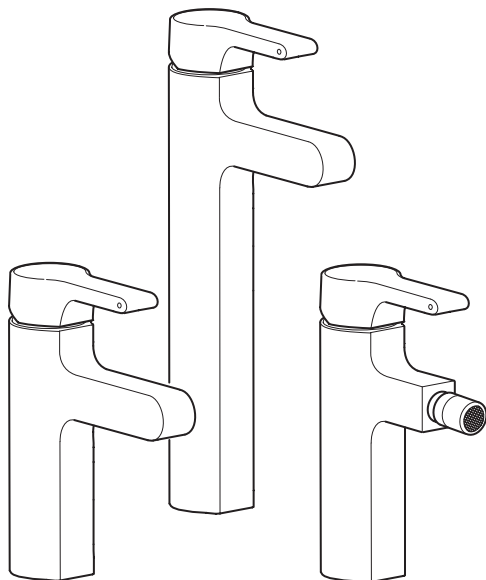


KOHLER®



Singulier Basin, Tall Basin and Bidet Monobloc Installation and User Guide

MODEL NUMBERS

10860W-CP, 10861W-CP, 10865W-CP

Important! Please quote the above model number(s) when ordering spares

IMPORTANT

INSTALLER: THIS MANUAL IS THE PROPERTY OF THE CUSTOMER AND MUST BE RETAINED WITH THE PRODUCT FOR MAINTENANCE AND OPERATIONAL PURPOSES.

CONTENTS

Specification	2
Pressures	2
Plumbing Connections	2
Installation	3
Install the Mixer	3
Install the Drain (10860W-CP and 10865W-CP only)	4
Finish the Installation.....	6
User Maintenance.....	6
Cleaning	6
Adjust the Temperature	6
Spare Parts	7
10860W-CP Basin Monobloc	7
10861W-CP Tall Basin Monobloc.....	8
10866W-CP Bidet Monobloc	9
Dimensions	10
10860W-CP Basin Monobloc	10
10866W-CP Bidet Monobloc	10
10861W-CP Tall Basin Monobloc.....	11
Customer Care.....	12

SPECIFICATION

Pressures

For optimum performance, a minimum operating pressure of 0.5 bar is recommended.

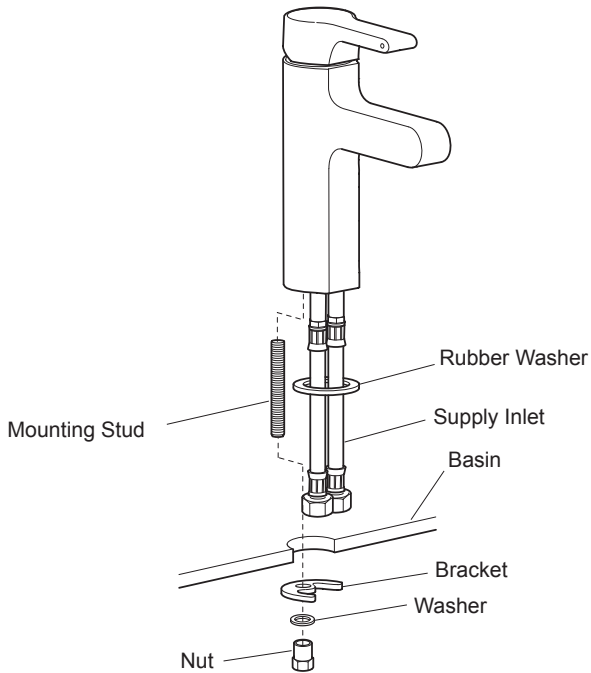
Plumbing Connections

½" Compression Fitting.

Hot (H) and Cold (C) inlets must be connected to the correct inlet supplies.

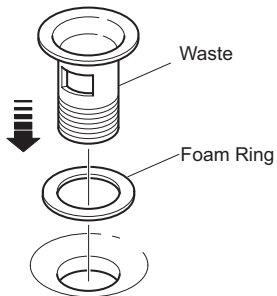
INSTALLATION

Install the Mixer

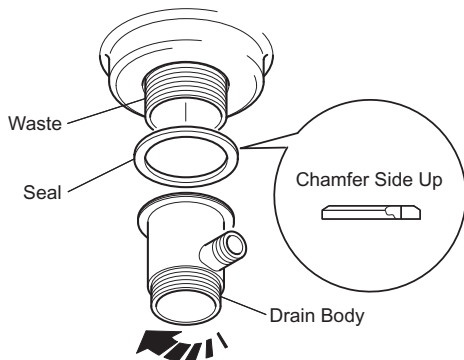


1. Install the mounting stud into the hole in the bottom of the mixer body.
2. Slide the rubber washer over the supply inlets up to the mixer base.
3. Feed the mixer supply inlets through the mixer hole of the basin, then position the mixer.
4. Slide the bracket and the washer over the mounting studs, then securely tighten the nut to the mounting stud. Make sure that the mixer is correctly aligned.

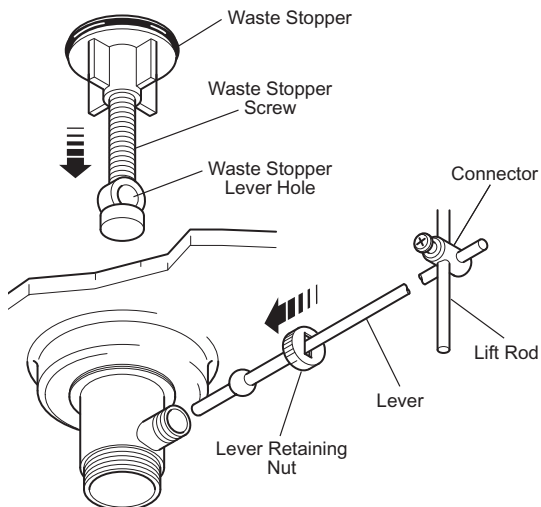
Install the Drain (10860W-CP and 10865W-CP only)



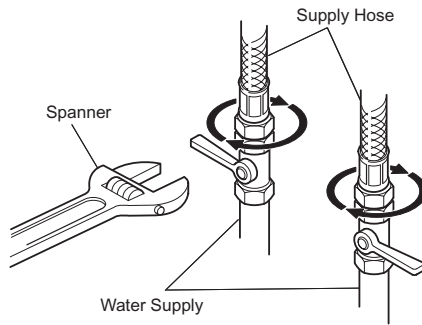
1. Install the waste and the foam ring into the drain hole.



2. Install the seal and secure the drain body to the waste hand tight.
3. Insert the lift rod through the top of the mixer.



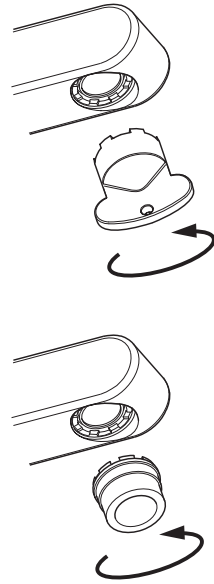
4. Align the drain body to enable the lever and lift rod to engage.
5. Insert the waste stopper into the waste.
6. Insert the lever into the drain body and waste stopper lever hole.
7. Make sure that the lever engages with the waste stopper and adjust the waste stopper screw if required.
8. Attach the lever in position with the lever retaining nut hand tight.
9. Attach the connector onto the lever and lift rod.
10. Tighten the connector retaining screw with a suitable screwdriver.



11. Install the basin/bidet (refer to the manufacturer's instructions).
12. Connect the supply hoses to the water supply.
13. Connect the drain body to the drain outlet.

Finish the Installation

1. Make sure that the mixer lever is in the off position.
2. Turn on the hot and cold water supplies and check for leaks from both the mixer and the drain.
3. Use the special key (provided) to unscrew and remove the aerator.
4. Turn on the tap and rotate the tap handle to the full hot and then the full cold position. Run water through the spout for one minute to remove any debris. Check for leaks.
5. Turn the mixer lever to the off position.
6. Re-install the aerator using the special key.



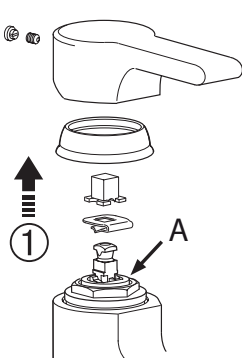
USER MAINTENANCE

Cleaning

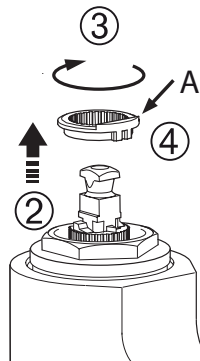
Many household cleaners contain abrasive and chemical substances, and should not be used for cleaning plated or plastic fittings.

These finishes should be cleaned with a mild washing up detergent or soap solution, and then wiped dry using a soft cloth.

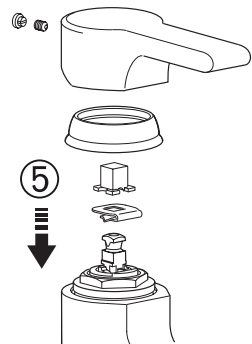
Adjust the Temperature



Remove the Handle



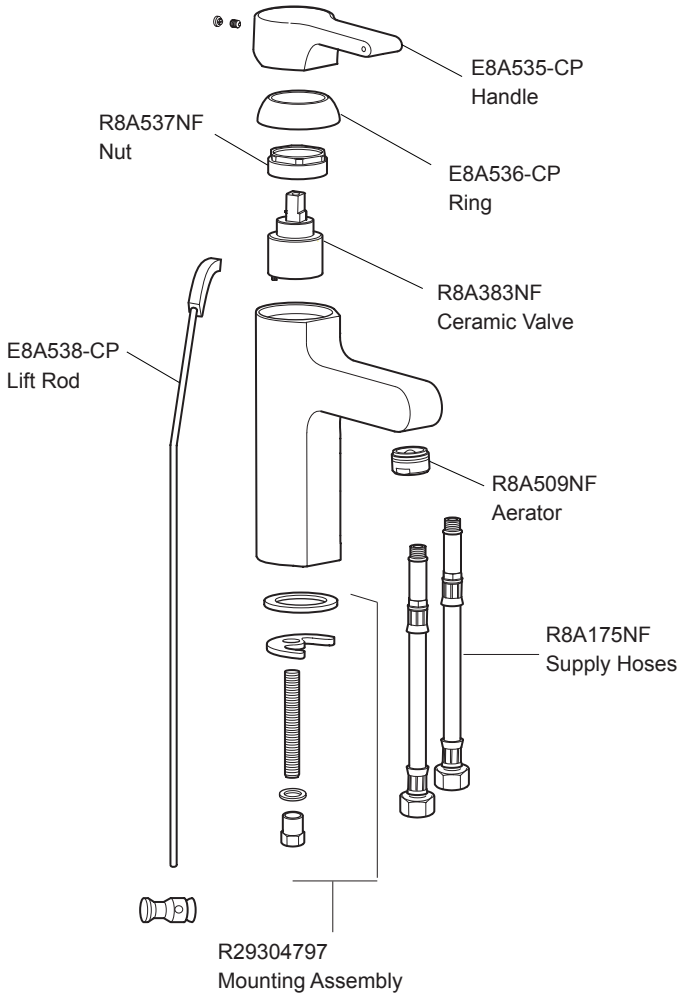
Turn the Temperature Control Ring Clockwise to increase the Temperature



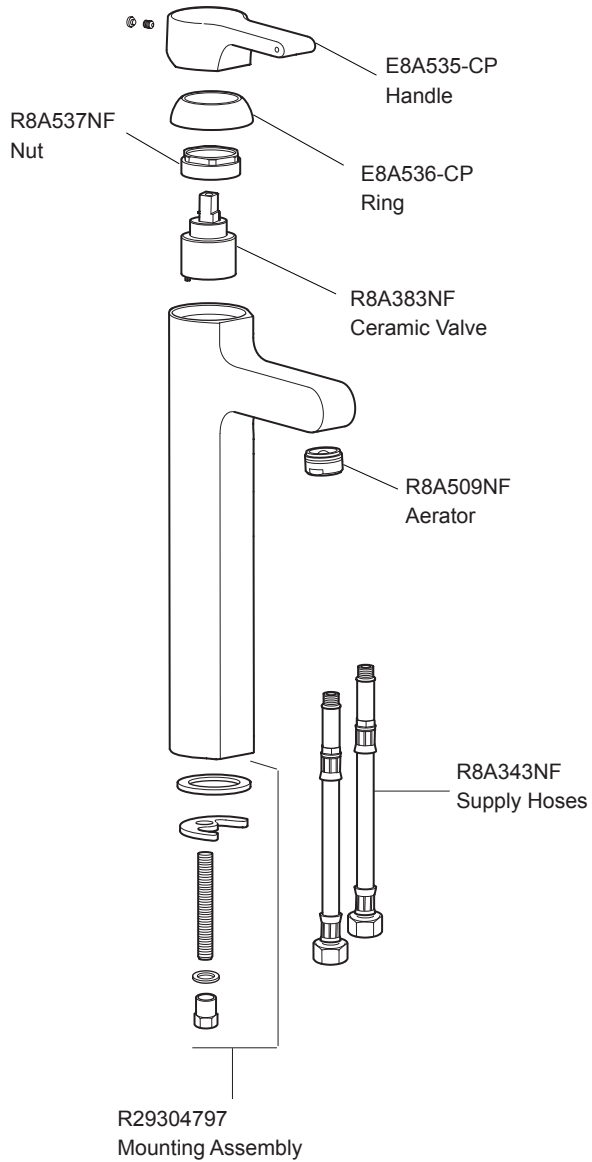
Refit the Components in Reverse Order

SPARE PARTS

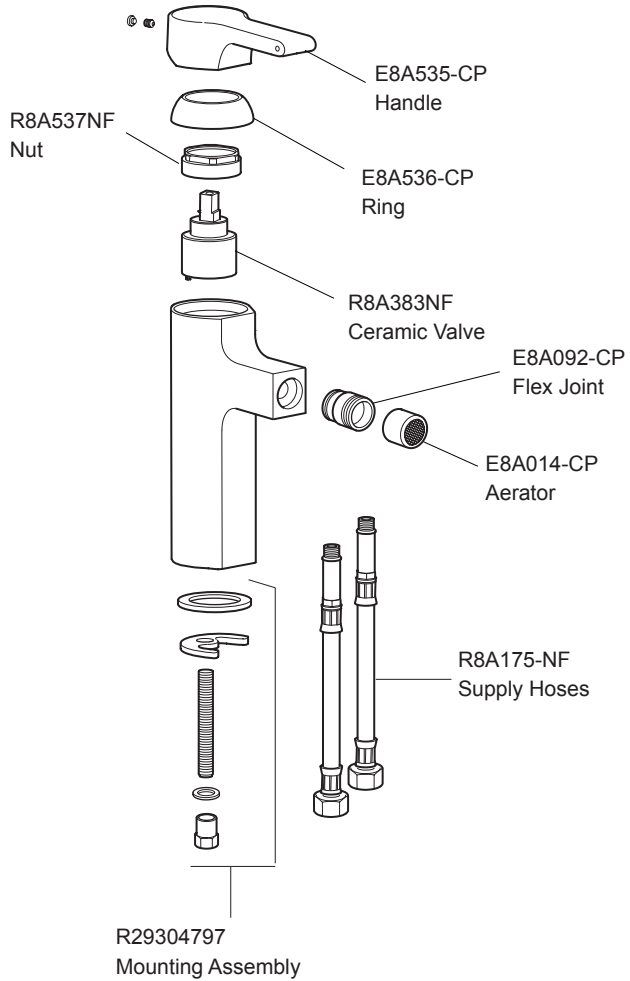
10860W-CP Basin Monobloc



10861W-CP Tall Basin Monobloc

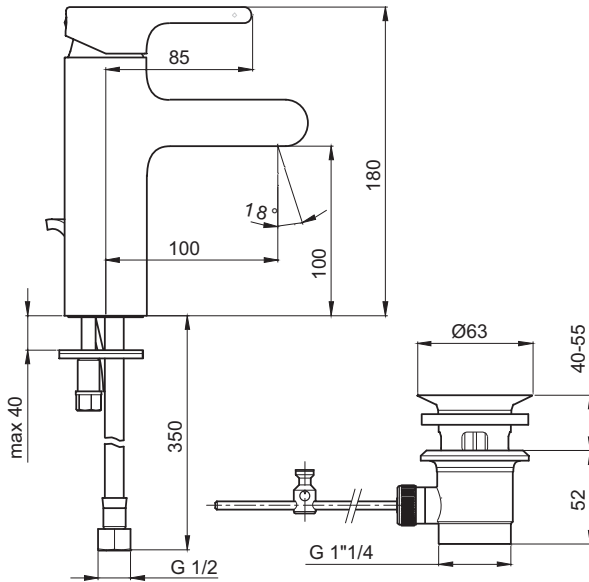


10866W-CP Bidet Monobloc

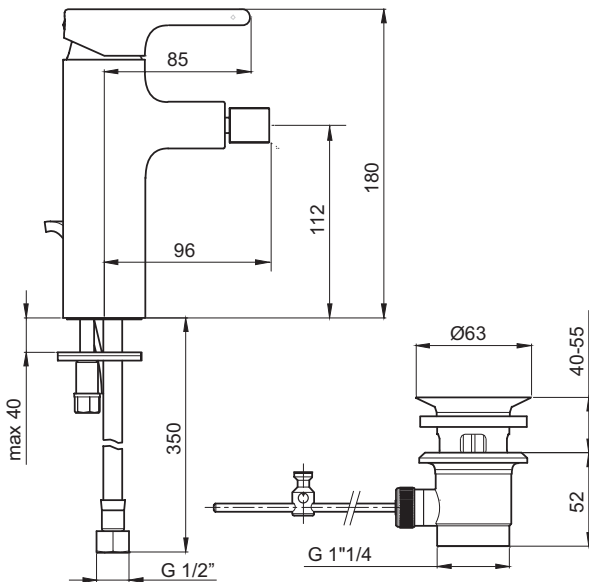


DIMENSIONS

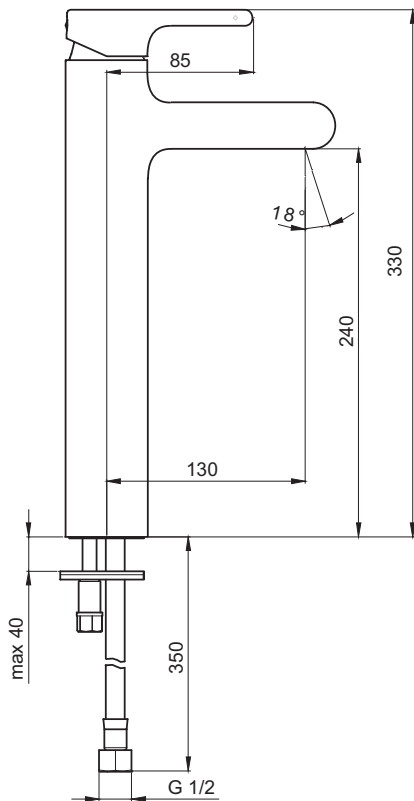
10860W-CP Basin Monobloc



10866W-CP Bidet Monobloc



10861W-CP Tall Basin Monobloc



All dimensions in mm

CUSTOMER CARE

Guarantee of Quality

Kohler UK guarantee products against any defect of materials or workmanship for the following periods

25 Years

Ceramic Ware and Cast Products

10 Years

Stainless Steel Products and, Acrylic Baths

5 Years

Shower Valves, Taps, Cistern
Fittings, Toilet Seats and Bath
Panels

2 Years

Bathroom Furniture and
Accessories

1 Year

Whirlpool / Spa Baths

Our confidence in the quality and reliability of our superior products enables us to offer a comprehensive guarantee for all products.

To register and fully benefit from this guarantee you must return the enclosed product registration card indicating the Kohler items you have purchased.

Within the guarantee period we will undertake to resolve any material defects, by providing replacement parts, modules or complete product, as we deem appropriate. To be free of charge, work must only be undertaken by Kohler UK approved personnel.

To ensure that any problems can be promptly resolved you must contact Kohler UK directly.

Proof of purchase must be provided with any claims.

This guarantee covers products in domestic use, installed and maintained in accordance with the instructions. It covers the purchaser only and is not transferable.

Commercial / Business Use

Any Kohler Bathroom product used within a commercial / business premise is guaranteed for **1 Year** against any defect of materials or workmanship.

Not Covered by this Guarantee

Damage or defects arising from incorrect installation, improper use or lack of maintenance.

Installed product damaged in transit Consequential loss, damage or product removal and installation costs.

General wear and tear.

This guarantee is in addition to your statutory and other legal rights.

To Contact Us

Kitchen and Bathroom Taps and Accessories

Tel: 0870 240 7896

Fax: 01242 282 595

Email: technical@mirashowers.com

Website: www.kohleruk.com

Showers and Fittings

Tel: 0870 241 0888

Fax: 01242 282 595

Email: technical@mirashowers.com

Website: www.kohleruk.com

All other Kohler Products

Tel: 0870 850 5551

Fax: 0870 850 5552

Email: info@kohleruk.com

Website: www.kohleruk.com

Kohler Mira Ltd
Cromwell Road,
Cheltenham GL52 5EP.

The company reserves the right to alter
product specifications without notice.

KOHLER.