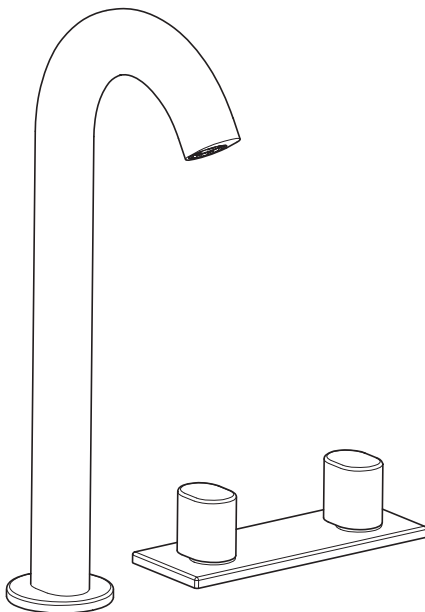


KOHLER®



Oblo Monobloc Washbasin Installation and User Guide

MODEL NUMBERS

10094W-CP

Important! Please quote the above model number(s) when ordering spares

IMPORTANT

INSTALLER: THIS MANUAL IS THE PROPERTY OF THE CUSTOMER AND MUST BE RETAINED WITH THE PRODUCT FOR MAINTENANCE AND OPERATIONAL PURPOSES.

CONTENTS

Specification	2
Pressures	2
Plumbing Connections	2
Installation	3
Install the Spout.....	3
Install the Side Bodies.....	4
Connect the Side Bodies to the Spout	6
Finish the Installation.....	7
User Maintenance.....	8
Cleaning	8
Spare Parts	9
Dimensions	10
Notes	11
Customer Care.....	12

SPECIFICATION

Pressures

The minimum operating pressure is 0.5 bar.

For optimum performance, a minimum operating pressure of 1.0 bar is recommended.

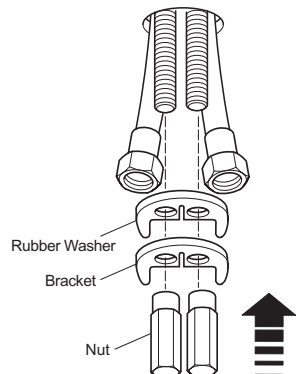
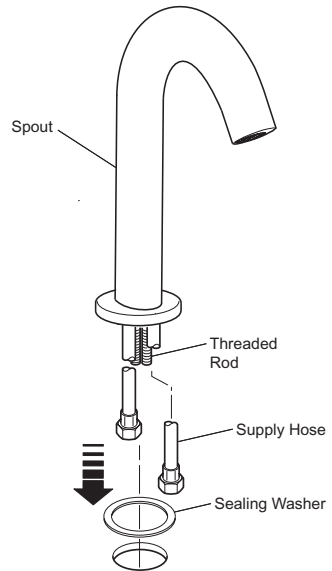
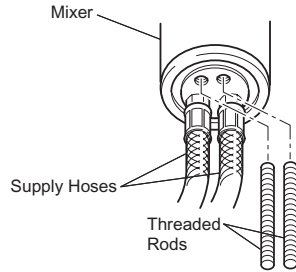
Plumbing Connections

Hot (H) and Cold (C) inlets must be connected to the correct inlet supplies.

INSTALLATION

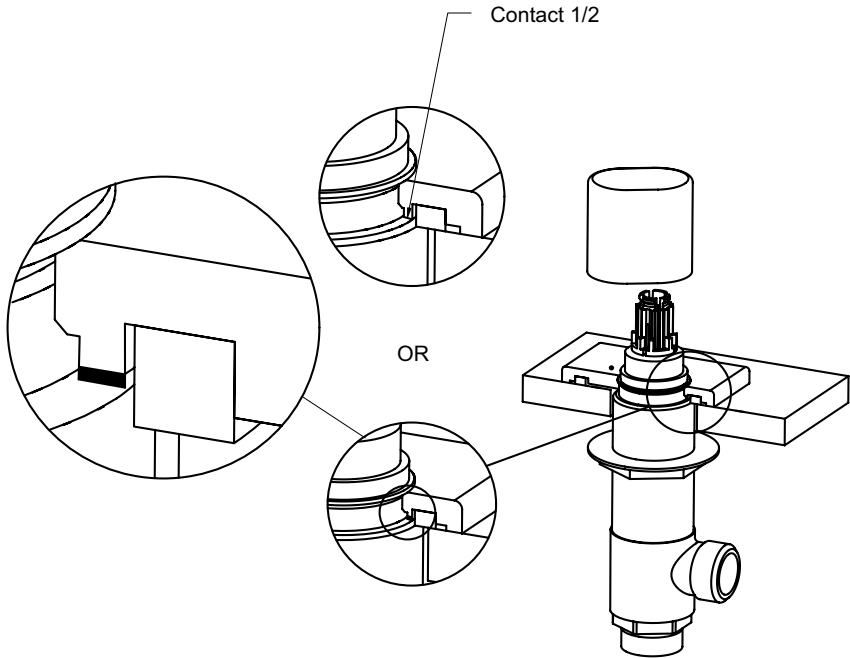
Install the Spout

1. Make sure that the O-ring is fitted over the threaded end of the supply hoses.
2. Screw the supply hoses into the base of the spout hand tight.
3. Screw the threaded rods into the base of the spout.
4. Make sure that the sealing washing is in position on the base of the spout.
5. Insert the supply hoses and the threaded rods through the spout hole located in the basin and position the spout.
6. Position the rubber washer and the bracket onto the threaded rods followed by the nuts.
7. Secure the spout in position by holding and tightening the nuts.

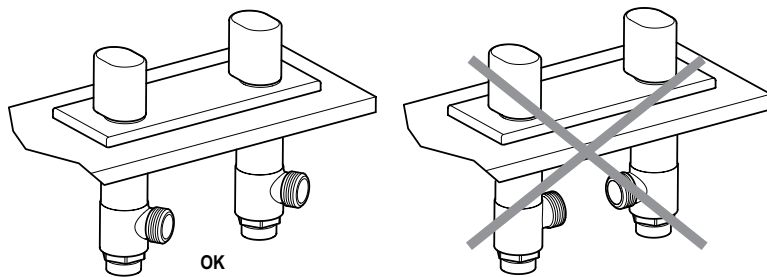


1082101-W2-A

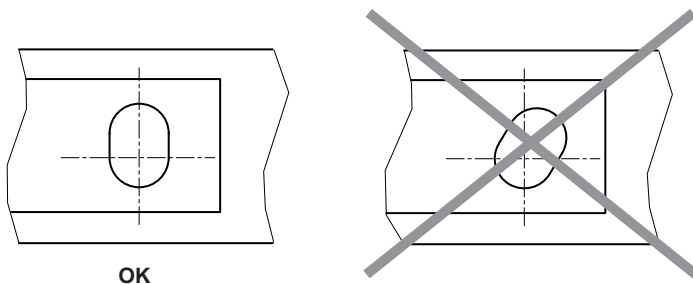
Install the Side Bodies



1. Thread the locknuts half way down the side bodies.
2. Slide the fibre washers over the side bodies.
3. Insert the side bodies into the mounting holes from the bottom of the basin.
4. Fit the sealing rings in position.
5. Apply a ring of sealant to the underside of the concealing plate in accordance with the manufacturer's instructions.
6. Fit the concealing plate in position and screw the side bodies into the concealing plate from beneath the basin.

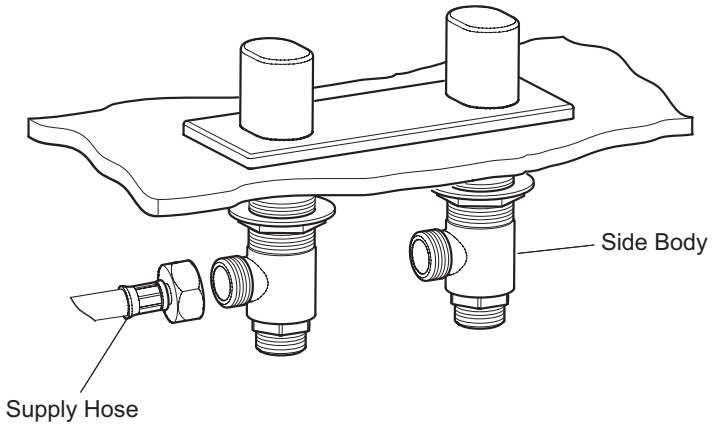


7. Make sure that the side bodies are correctly aligned. Remove any excess sealant.

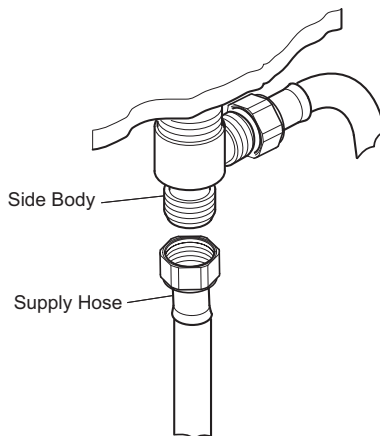


8. Install the handles and make sure that they are orientated correctly.

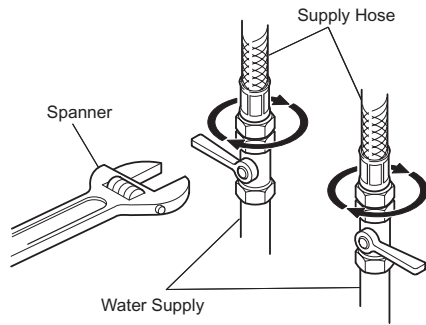
Connect the Side Bodies to the Spout



1. Make sure that the side bodies are in their correct orientation. Adjust the position to suit your installation.
2. Screw the supply hoses from the spout to the side bodies. Use a spanner to tighten the nuts, but do not overtighten.



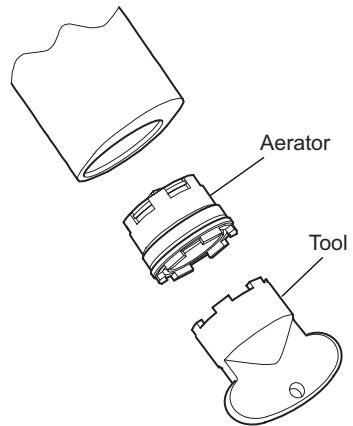
3. Screw the supply hoses that will connect to the water supply to the bottom of the side body. Use a spanner to tighten the nuts, but do not overtighten.



4. Connect the supply hoses to the water supply.

Finish the Installation

1. Make sure that the mixer knobs are in the off position.
2. Turn on the hot and cold water supplies and check for leaks from both the mixer and the drain.
3. Use the special key (provided) to unscrew and remove the aerator.
4. Turn on the hot and cold knobs and allow the water to run for approximately one minute to remove any debris.
5. Turn the hot and cold knobs to the off position.
6. Re-install the aerator using the special key.



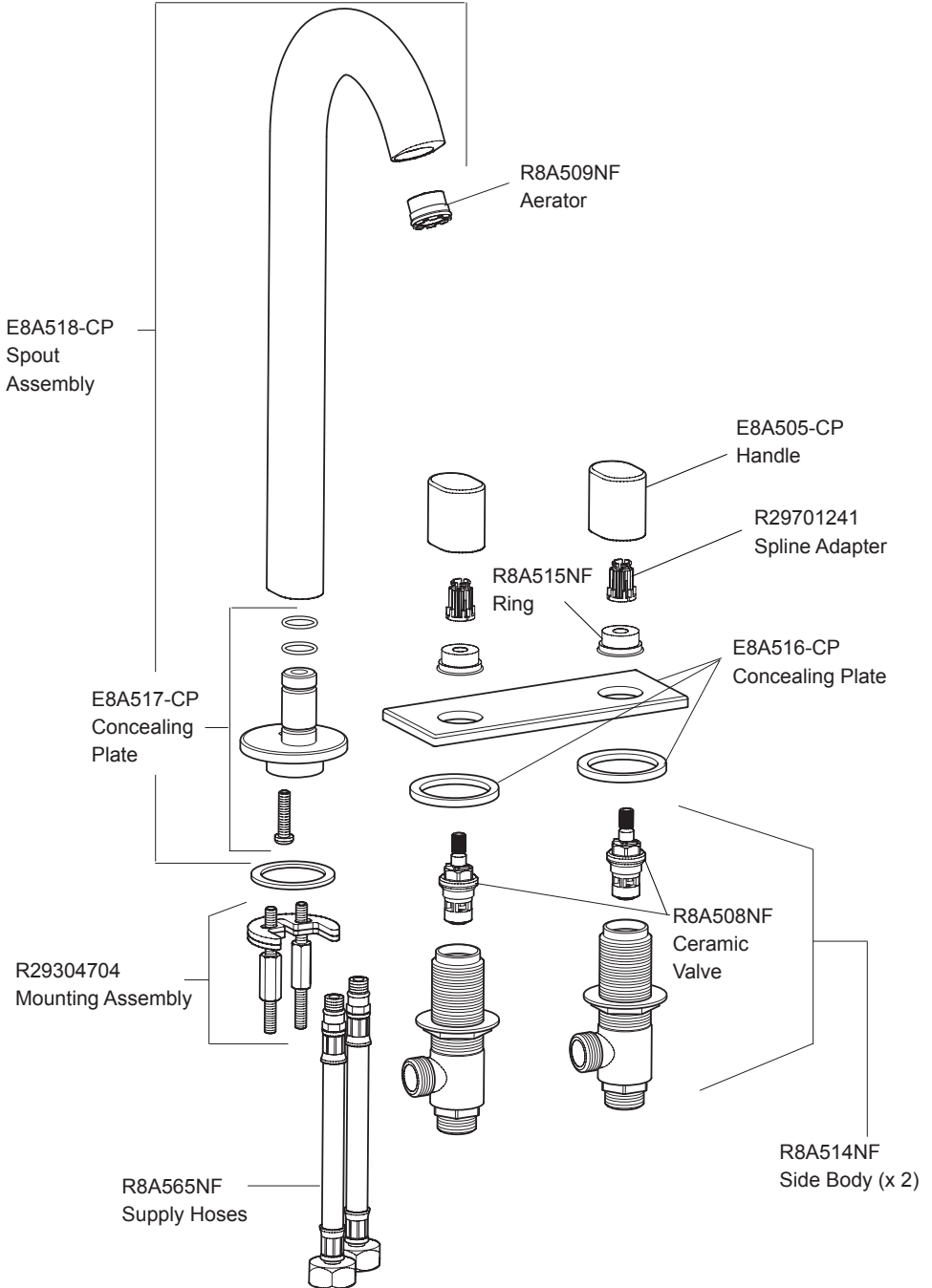
USER MAINTENANCE

Cleaning

Many household cleaners contain abrasive and chemical substances, and should not be used for cleaning plated or plastic fittings.

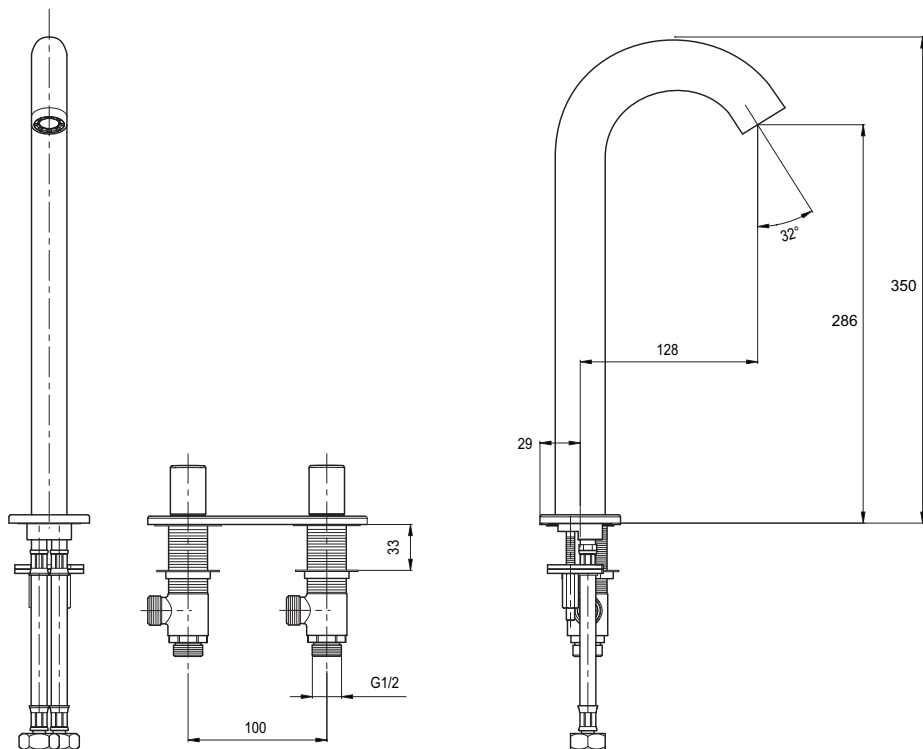
These finishes should be cleaned with a mild washing up detergent or soap solution, and then wiped dry using a soft cloth.

SPARE PARTS



DIMENSIONS

All dimensions in mm



NOTES

CUSTOMER CARE

Guarantee of Quality

Kohler UK guarantee products against any defect of materials or workmanship for the following periods

25 Years

Ceramic Ware and Cast Products

10 Years

Stainless Steel Products and, Acrylic Baths

5 Years

Shower Valves, Taps, Cistern
Fittings, Toilet Seats and Bath
Panels

2 Years

Bathroom Furniture and
Accessories

1 Year

Whirlpool / Spa Baths

Our confidence in the quality and reliability of our superior products enables us to offer a comprehensive guarantee for all products.

To register and fully benefit from this guarantee you must return the enclosed product registration card indicating the Kohler items you have purchased.

Within the guarantee period we will undertake to resolve any material defects, by providing replacement parts, modules or complete product, as we deem appropriate. To be free of charge, work must only be undertaken by Kohler UK approved personnel.

To ensure that any problems can be promptly resolved you must contact Kohler UK directly.

Proof of purchase must be provided with any claims.

This guarantee covers products in domestic use, installed and maintained in accordance with the instructions. It covers the purchaser only and is not transferable.

Commercial / Business Use

Any Kohler Bathroom product used within a commercial / business premise is guaranteed for **1 Year** against any defect of materials or workmanship.

Not Covered by this Guarantee

Damage or defects arising from incorrect installation, improper use or lack of maintenance.

Installed product damaged in transit Consequential loss, damage or product removal and installation costs.

General wear and tear.

This guarantee is in addition to your statutory and other legal rights.

To Contact Us

Kitchen and Bathroom Taps and Accessories

Tel: 0870 240 7896

Fax: 01242 282 595

Email: technical@mirashowers.com

Website: www.kohleruk.com

Showers and Fittings

Tel: 0870 241 0888

Fax: 01242 282 595

Email: technical@mirashowers.com

Website: www.kohleruk.com

All other Kohler Products

Tel: 0870 850 5551

Fax: 0870 850 5552

Email: info@kohleruk.com

Website: www.kohleruk.com

Kohler Mira Ltd
Cromwell Road,
Cheltenham GL52 5EP.

The company reserves the right to alter
product specifications without notice.

KOHLER.