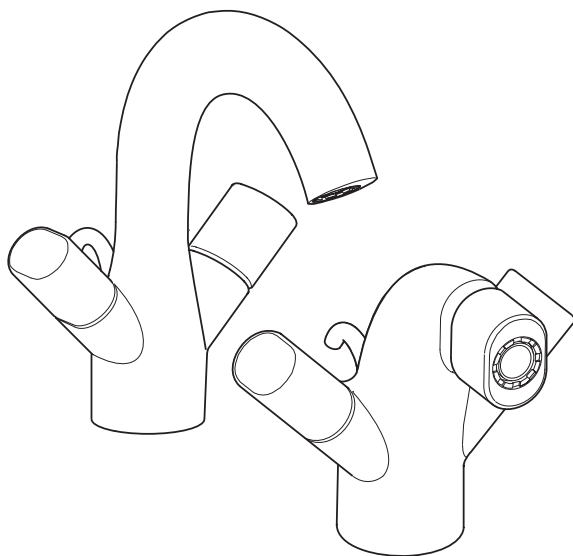


KOHLER®



Oblo Basin and Bidet Monobloc Installation and User Guide

MODEL NUMBERS

10085W-CP, 10088W-CP

Important! Please quote the above model number(s) when ordering spares

IMPORTANT

INSTALLER: THIS MANUAL IS THE PROPERTY OF THE CUSTOMER AND MUST BE RETAINED WITH THE PRODUCT FOR MAINTENANCE AND OPERATIONAL PURPOSES.

CONTENTS

Specification	2
Pressures	2
Plumbing Connections	2
User Maintenance	2
Cleaning	2
Installation	3
Install the Mixer	3
Install the Drain	4
Finish the Installation.....	6
Dimensions	6
Spare Parts	7
Customer Care	8

SPECIFICATION

Pressures

The minimum operating pressure is 0.5 bar.

For optimum performance, a minimum operating pressure of 1.0 bar is recommended.

Plumbing Connections

½" Compression Fitting.

Hot (H) and Cold (C) inlets must be connected to the correct inlet supplies.

USER MAINTENANCE

Cleaning

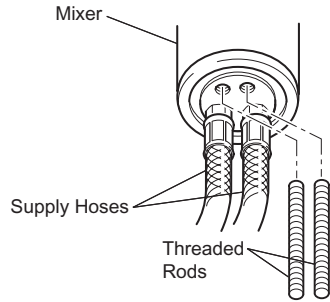
Many household cleaners contain abrasive and chemical substances, and should not be used for cleaning plated or plastic fittings.

These finishes should be cleaned with a mild washing up detergent or soap solution, and then wiped dry using a soft cloth.

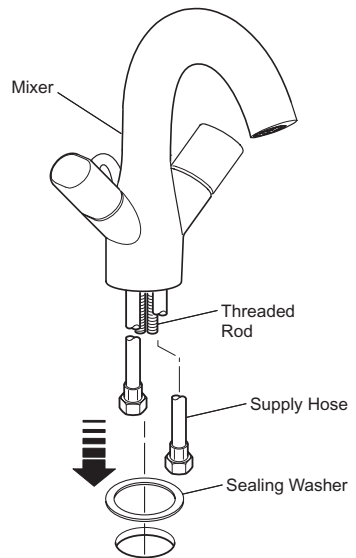
INSTALLATION

Install the Mixer

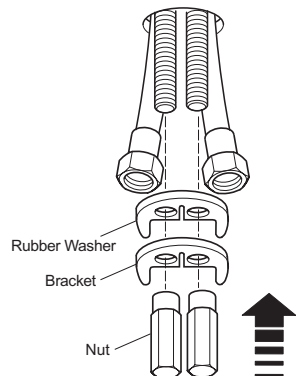
1. Make sure that the O-ring is fitted over the threaded end of the supply hoses.
2. Screw the supply hoses into the base of the mixer hand tight.
3. Screw the threaded rods into the base of the mixer.



4. Make sure that the sealing washing is in position on the base of the mixer.
5. Insert the supply hoses and the threaded rods through the mixer hole located in the basin and position the mixer.

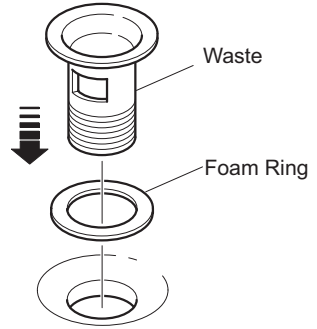


6. Position the rubber washer and the bracket onto the threaded rods followed by the nuts.
7. Secure the mixer in position by holding and tightening the nuts.

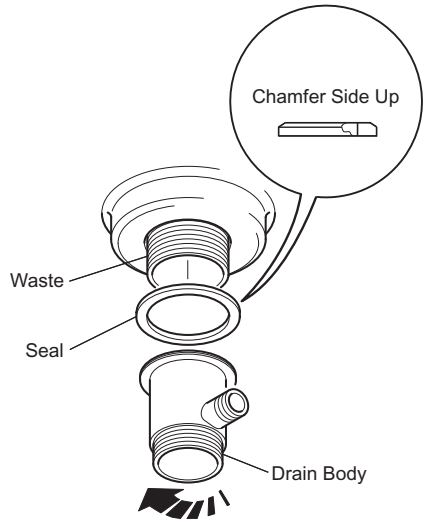


Install the Drain

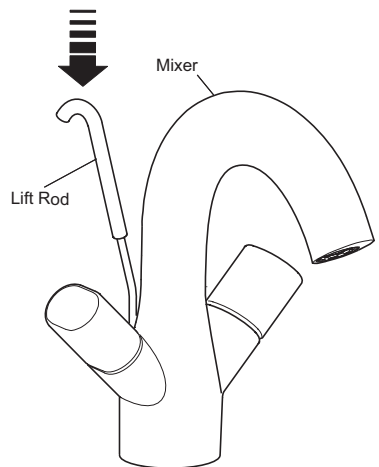
1. Install the waste and the foam ring into the drain hole.



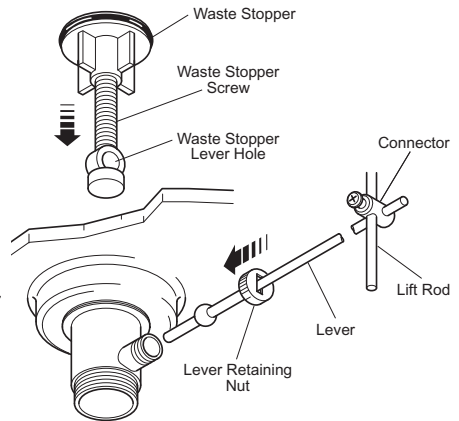
2. Install the seal and secure the drain body to the waste hand tight.



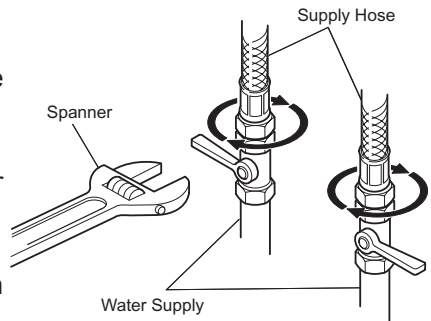
3. Insert the lift rod through the top of the mixer.



4. Align the drain body to enable the lever and lift rod to engage.
5. Insert the waste stopper into the waste.
6. Insert the lever into the drain body and waste stopper lever hole.
7. Make sure that the lever engages with the waste stopper and adjust the waste stopper screw if required.
8. Attach the lever in position with the lever retaining nut hand tight.
9. Attach the connector onto the lever and lift rod.
10. Tighten the connector retaining screw with a suitable screwdriver.

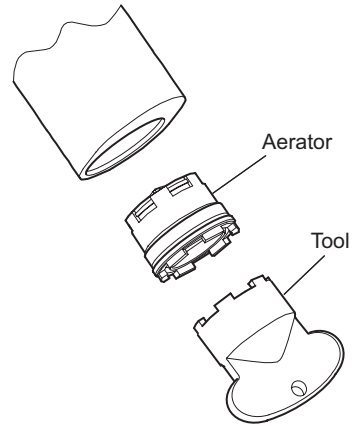


11. Install the basin/bidet (refer to the manufacturer's instructions).
12. Connect the supply hoses to the water supply.
13. Connect the drain body to the drain outlet.

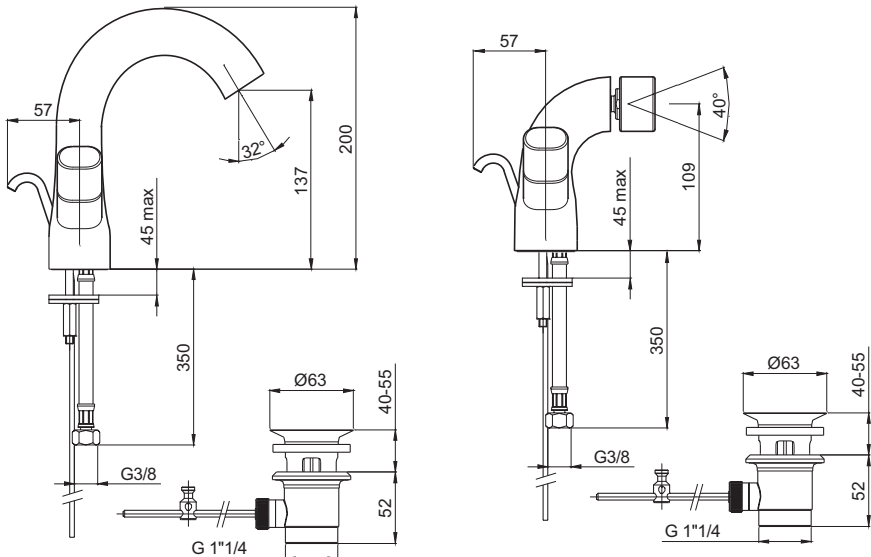


Finish the Installation

1. Make sure that the mixer knobs are in the off position.
2. Turn on the hot and cold water supplies and check for leaks from both the mixer and the drain.
3. Use the special key (provided) to unscrew and remove the aerator.
4. Turn on the hot and cold knobs and allow the water to run for approximately one minute to remove any debris.
5. Turn the hot and cold knobs to the off position.
6. Re-install the aerator using the special key.



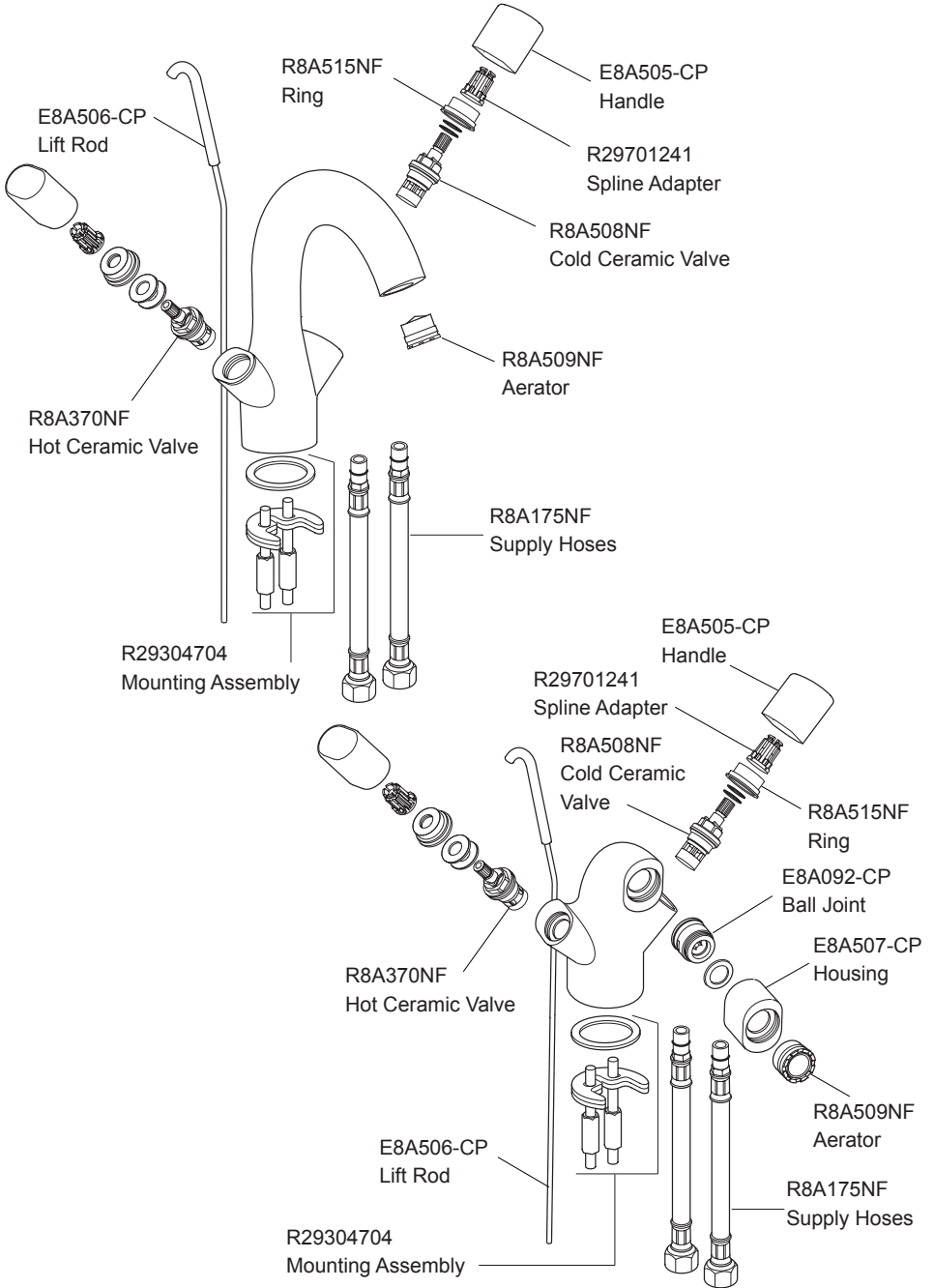
DIMENSIONS



All Dimensions in mm

1072346-W2-A

SPARE PARTS



CUSTOMER CARE

Guarantee of Quality

Kohler UK guarantee products against any defect of materials or workmanship for the following periods

25 Years

Ceramic Ware and Cast Products

10 Years

Stainless Steel Products and, Acrylic Baths

5 Years

Shower Valves, Taps, Cistern
Fittings, Toilet Seats and Bath
Panels

2 Years

Bathroom Furniture and
Accessories

1 Year

Whirlpool / Spa Baths

Our confidence in the quality and reliability of our superior products enables us to offer a comprehensive guarantee for all products.

To register and fully benefit from this guarantee you must return the enclosed product registration card indicating the Kohler items you have purchased.

Within the guarantee period we will undertake to resolve any material defects, by providing replacement parts, modules or complete product, as we deem appropriate. To be free of charge, work must only be undertaken by Kohler UK approved personnel.

To ensure that any problems can be promptly resolved you must contact Kohler UK directly.

Proof of purchase must be provided with any claims.

This guarantee covers products in domestic use, installed and maintained in accordance with the instructions. It covers the purchaser only and is not transferable.

Commercial / Business Use

Any Kohler Bathroom product used within a commercial / business premise is guaranteed for **1 Year** against any defect of materials or workmanship.

Not Covered by this Guarantee

Damage or defects arising from incorrect installation, improper use or lack of maintenance.

Installed product damaged in transit Consequential loss, damage or product removal and installation costs.

General wear and tear.

This guarantee is in addition to your statutory and other legal rights.

To Contact Us

Kitchen and Bathroom Taps and Accessories

Tel: 0870 240 7896

Fax: 01242 282 595

Email: technical@mirashowers.com

Website: www.kohleruk.com

Showers and Fittings

Tel: 0870 241 0888

Fax: 01242 282 595

Email: technical@mirashowers.com

Website: www.kohleruk.com

All other Kohler Products

Tel: 0870 850 5551

Fax: 0870 850 5552

Email: info@kohleruk.com

Website: www.kohleruk.com

Kohler Mira Ltd
Cromwell Road,
Cheltenham GL52 5EP.

The company reserves the right to alter
product specifications without notice.

KOHLER.