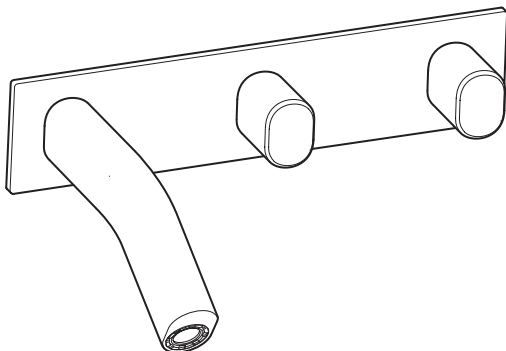


KOHLER®



Oblo Wall Mounted Bath Filler Installation and User Guide

MODEL NUMBERS

10087W-CP

Important! Please quote the above model number(s) when ordering spares

IMPORTANT

INSTALLER: THIS MANUAL IS THE PROPERTY OF THE CUSTOMER AND MUST BE RETAINED WITH THE PRODUCT FOR MAINTENANCE AND OPERATIONAL PURPOSES.

CONTENTS

Specification	2
Pressures	2
Plumbing Connections	2
Installation	2
Before you Begin.....	2
Install the Wall Mounted Mixer	3
Finish the Wall.....	4
Install the Handles and the Spout	4
Finish the Installation.....	5
User Maintenance	6
Cleaning	6
Spare Parts	6
Dimensions	7
Customer Care	8

SPECIFICATION

Pressures

The minimum recommended operating pressure is 0.3 bar.

Note! This may result in a reduced performance.

For optimum performance, a minimum operating pressure of 0.5 to 1.0 bar is recommended.

Plumbing Connections

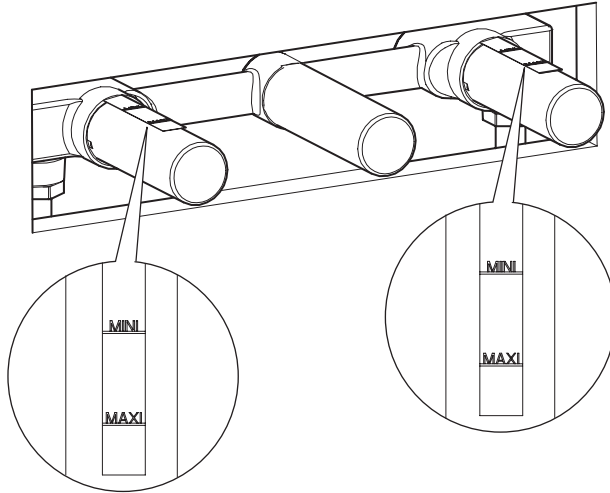
Hot (H) and Cold (C) inlets must be connected to the correct inlet supplies.

INSTALLATION

Before you Begin

1. Make sure that the tap is installed by a competent installer.
2. Turn off the water supply.
3. The plumbing installation must comply with Building Regulations or any particular regulations and practices, specified by the local water company or water undertakers.

Install the Wall Mounted Mixer

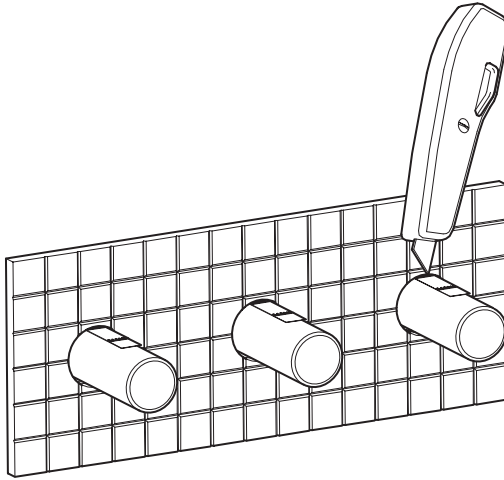


1. For an installation into a panel, cut a hole in the panel of suitable size to fit the wall mounted mixer.
2. For an installation into a solid wall, remove the plaster and brickwork to the required depth and size to conceal the pipework and the valve.
3. Fit the plaster guards to the hot and cold valves and to the spout shank.
4. Use the maximum and minimum markings on the plaster guards to make sure that the mixer valve is positioned at the correct depth.
5. Connect the hot and cold supplies.

Note! The valve is supported by the pipework. If necessary, secure to the wall by clamping around the valve body.

6. Make sure that the valve is level and using a suitable spanner tighten the inlet connector nuts.

Finish the Wall

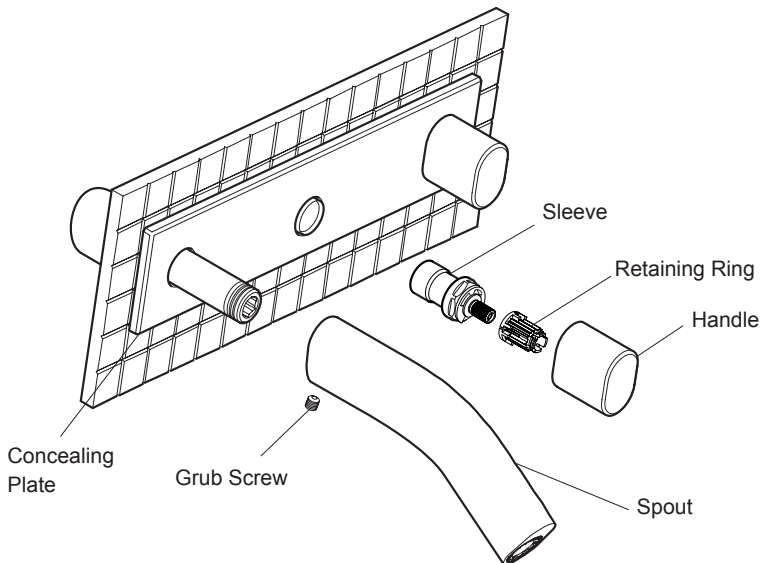


1. Install the finished wall surface over the valve assembly.

Note! Make sure the finished wall surface is between the minimum and maximum markings on the plaster guards.

2. Remove the plaster guards and clean up the finished wall surface.

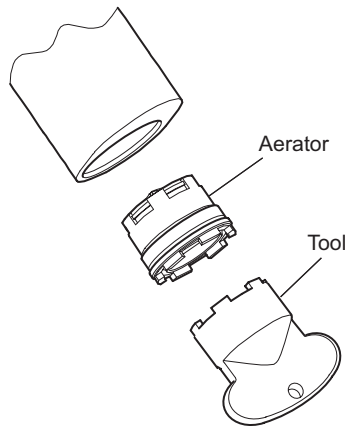
Install the Handles and the Spout



1. Make sure that the valves are in the 'OFF' position.

2. **Fit the handles:** Fit the concealing plate onto the valve.
3. Fit the sleeves and tighten to secure the concealing plate against the wall.
4. Fit the retaining ring.
5. Fit the handles making sure that they are correctly aligned.
6. **Fit the spout:** Fit the spout over the threaded sleeve making sure that it is correctly aligned.
7. Secure the spout in position with the grub screw

Finish the Installation



1. Make sure that the mixer knobs are in the off position.
2. Turn on the hot and cold water supplies and check for leaks from both the mixer and the drain.
3. Use the special key (provided) to unscrew and remove the aerator.
4. Turn on the hot and cold knobs and allow the water to run for approximately one minute to remove any debris.
5. Turn the hot and cold knobs to the off position.
6. Re-install the aerator using the special key.

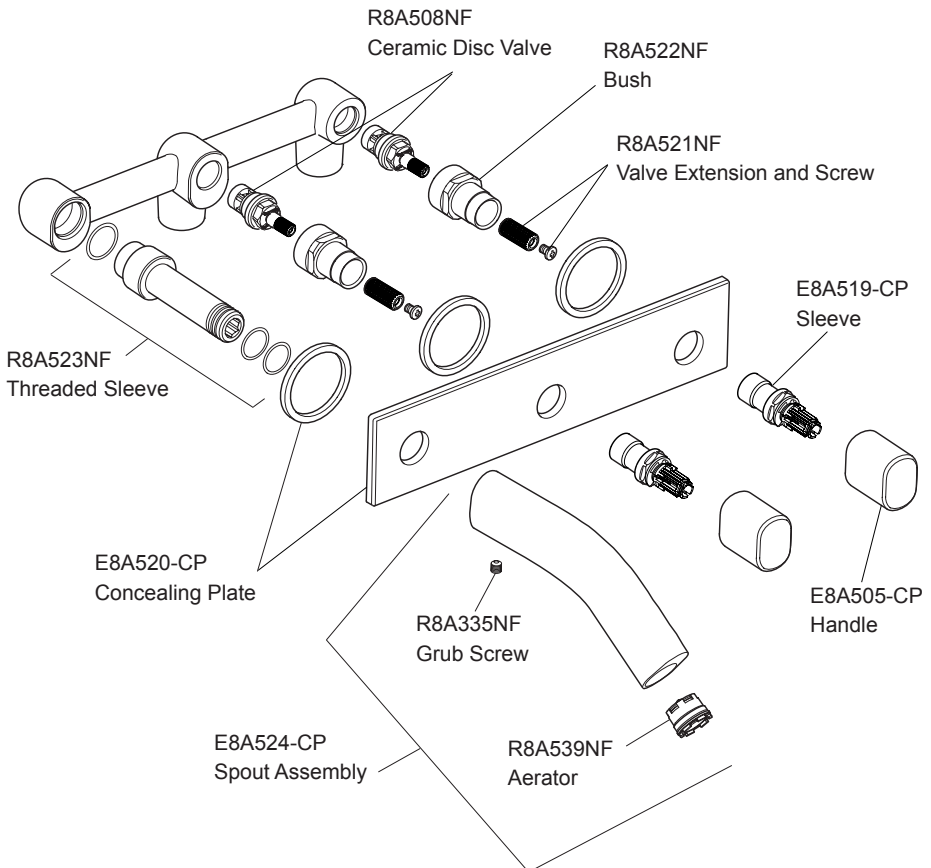
USER MAINTENANCE

Cleaning

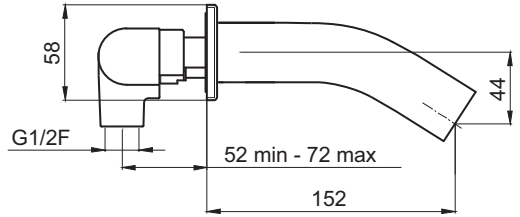
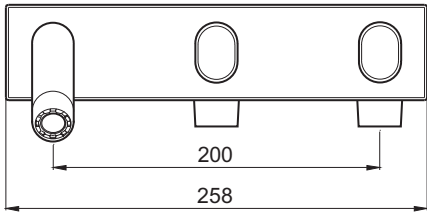
Many household cleaners contain abrasive and chemical substances, and should not be used for cleaning plated or plastic fittings.

These finishes should be cleaned with a mild washing up detergent or soap solution, and then wiped dry using a soft cloth.

SPARE PARTS



DIMENSIONS



All Dimensions in mm

CUSTOMER CARE

Guarantee of Quality

Kohler UK guarantee products against any defect of materials or workmanship for the following periods

25 Years

Ceramic Ware and Cast Products

10 Years

Stainless Steel Products and, Acrylic Baths

5 Years

Shower Valves, Taps, Cistern Fittings, Toilet Seats and Bath Panels

2 Years

Bathroom Furniture and Accessories

1 Year

Whirlpool / Spa Baths

Our confidence in the quality and reliability of our superior products enables us to offer a comprehensive guarantee for all products.

To register and fully benefit from this guarantee you must return the enclosed product registration card indicating the Kohler items you have purchased.

Within the guarantee period we will undertake to resolve any material defects, by providing replacement parts, modules or complete product, as we deem appropriate. To be free of charge, work must only be undertaken by Kohler UK approved personnel.

To ensure that any problems can be promptly resolved you must contact Kohler UK directly.

Proof of purchase must be provided with any claims.

This guarantee covers products in domestic use, installed and maintained in accordance with the instructions. It covers the purchaser only and is not transferable.

Commercial / Business Use

Any Kohler Bathroom product used within a commercial / business premise is guaranteed for **1 Year** against any defect of materials or workmanship.

Not Covered by this Guarantee

Damage or defects arising from incorrect installation, improper use or lack of maintenance.

Installed product damaged in transit Consequential loss, damage or product removal and installation costs.

General wear and tear.

This guarantee is in addition to your statutory and other legal rights.

To Contact Us

Kitchen and Bathroom Taps and Accessories

Tel: 0870 240 7896

Fax: 01242 282 595

Email: technical@mirashowers.com

Website: www.kohleruk.com

Showers and Fittings

Tel: 0870 241 0888

Fax: 01242 282 595

Email: technical@mirashowers.com

Website: www.kohleruk.com

All other Kohler Products

Tel: 0870 850 5551

Fax: 0870 850 5552

Email: info@kohleruk.com

Website: www.kohleruk.com

Kohler Mira Ltd
Cromwell Road,
Cheltenham GL52 5EP.

The company reserves the right to alter product specifications without notice.

KOHLER.