

### Features

- Two lever handles allow for both volume and temperature control.
- 8-5/8" (219 mm) spout reach.
- 1.2 gpm (4.5 lpm) maximum flow rate at 60 psi (4.14 bar).
- Fluid design lines for ease of cleaning.
- Coordinates with other products in the Parallel collection.

### Material

- Solid brass construction for durability and reliability.
- KOHLER finishes resist corrosion and tarnishing.

### Installation

- Wall-mount.

### Required Products/Accessories

For wall-mount installation  
K-410-K Wall-mount Valve

### Adapters, Rough-in and Extension Kits

1349542 Range: 2-1/2" (64 mm) - 3-1/2" (89 mm)

### Recommended Products/Accessories

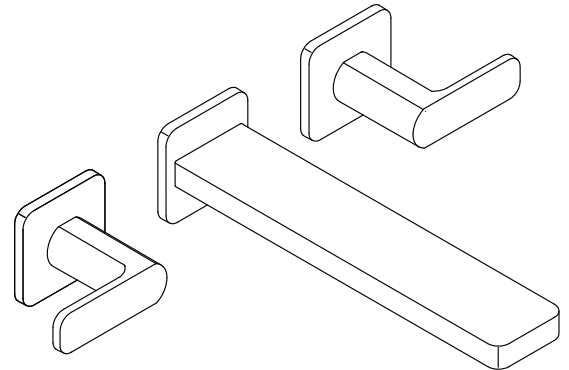
K-23726 Drain treatment  
K-23723 Faucet cleaner

### Optional Products/Accessories

K-7107 Decorative Drain  
K-7108 Decorative Drain  
K-7124 Pop-Up Clicker Drain  
K-7124-A Pop-Up Clicker Drain  
K-7129 Drain  
K-7129-A Drain  
K-8801 Sink Strainer  
1008176 Handle Kit - Deep Rough-In

### Included Components

Additional Components:  
K-303-K 1/2" Ceramic In-Wall Valve System



ADA CSA B651 OBC

### Codes/Standards

ASME A112.18.1/CSA B125.1  
NSF/ANSI 61  
NSF/ANSI 372  
All applicable US Federal and State material regulations  
DOE - Energy Policy Act 1992  
EPA WaterSense®  
California Energy Commission (CEC)  
ADA  
ICC/ANSI A117.1  
CSA B651  
OBC

### KOHLER® Faucet Lifetime Limited Warranty

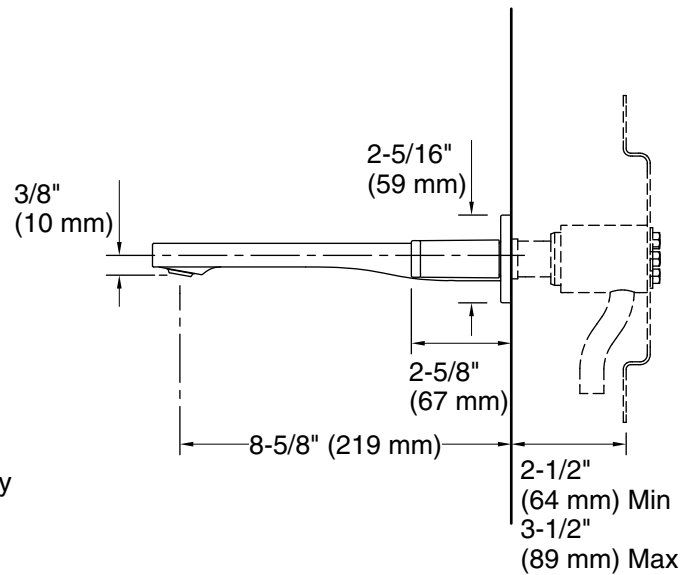
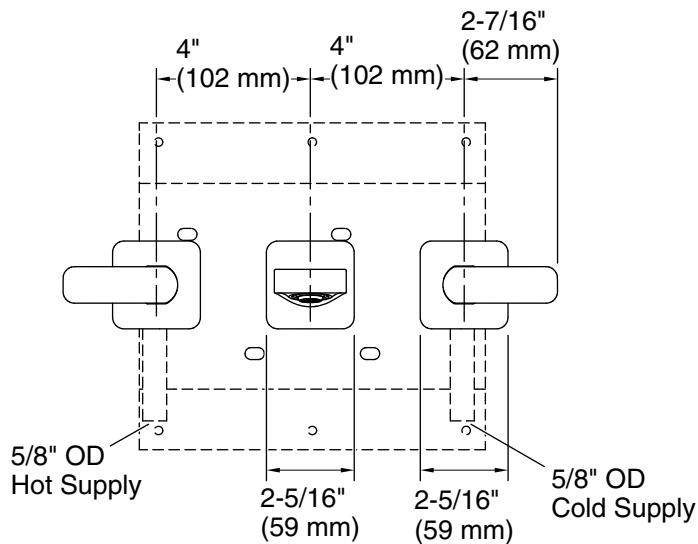
See website for detailed warranty information.

### Available Colors/Finishes

*Color tiles intended for reference only.*

#### Color Code Description

	CP	Polished Chrome
	BN	Vibrant® Brushed Nickel
	BL	Matte Black



### Technical Information

All product dimensions are nominal.

#### Faucet:

Flow rate: 1.2 gal/min (4.5 l/min)

Pressure: 60 psi (4.1 bar)

Drain included: No

### Notes

Install this product according to the installation instructions.

ADA, OBC, CSA B651 compliant when installed to the specific requirements of these regulations.