

# KOHLER® Faucets

Tall single-handle bathroom sink faucet with pin handle

Components™

K-77959-4AMU

## Features

- Limited Edition Manchester United collection.
- 7" (178 mm) spout reach.
- Tall height is ideal for vessel-style sinks.
- 1.2 gpm (4.5 lpm) maximum flow rate at 60 psi (4.14 bar).
- Single pin handle allows for both volume and temperature control.
- Temperature memory allows faucet to be turned on and off at the temperature set during prior usage.
- Coordinates with Components faucets, accessories, and showering components to complete your bathroom.

## Material

- Premium metal construction for durability and reliability.
- KOHLER finishes resist corrosion and tarnishing.

## Technology

- KOHLER® ceramic disc valves exceed industry longevity standards for a lifetime of durable performance.

## Installation

- Single hole.
- Pre-attached flexible supply lines simplify installation.

## Water Conservation & Rebates

- This product can help a building earn Water Efficiency points in LEED® Green Building Rating System.

## Recommended Products/Accessories

K-23726 Drain treatment  
K-23723 Faucet cleaner

## Included Components

Additional Components:  
K-7124-A Pop-Up Clicker Drain



## Codes/Standards

ASME A112.18.1/CSA B125.1

NSF/ANSI 61

NSF/ANSI 372

All applicable US Federal and State material regulations

DOE - Energy Policy Act 1992

EPA WaterSense®

California Energy Commission (CEC)

## KOHLER® Faucet Lifetime Limited Warranty

See website for detailed warranty information.

## Available Colors/Finishes

*Color tiles intended for reference only.*

### Color Code Description

 BLR Matte Black with Red accents

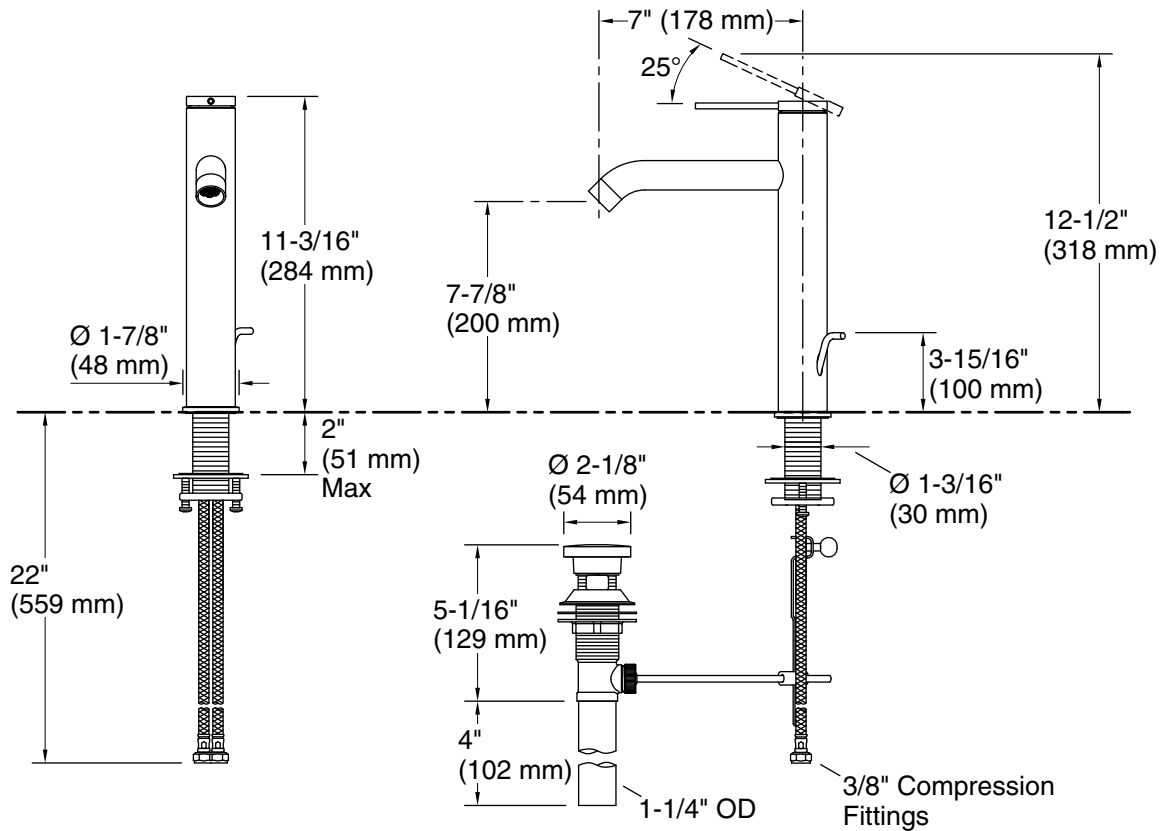
1-800-4KOHLER (1-800-456-4537)

Kohler Co. reserves the right to make revisions without notice to product specifications.

For the most current Specification Sheet, go to [www.kohler.com](http://www.kohler.com).

11-1-2020 10:12 - US/CA/LM/MX

THE BOLD LOOK  
OF **KOHLER**®



### Technical Information

All product dimensions are nominal.

#### Faucet:

Flow rate: 1.2 gal/min (4.5 l/min)

Pressure: 60 psi (4.1 bar)

Drain included: Yes

#### Spout:

Spout reach: 7" (178 mm)

### Notes

Install this product according to the installation instructions.