

Features

- KOHLER cast iron
- Acid-resistant enamel finish.
- Single bowl.
- Under-mount
- Decorative apron pattern.
- With 8-13/16" (224 mm) Self-Trimming® integral apron.
- Fits a 36" apron sink base cabinet.
- 35-11/16" (906 mm) x 21-9/16" (548 mm) x 9-5/8" (244 mm)



For complete listing of available colors, go to kohler.com.

Codes/Standards

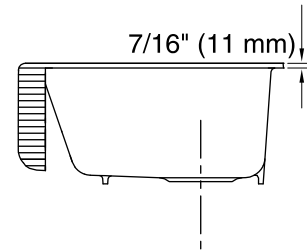
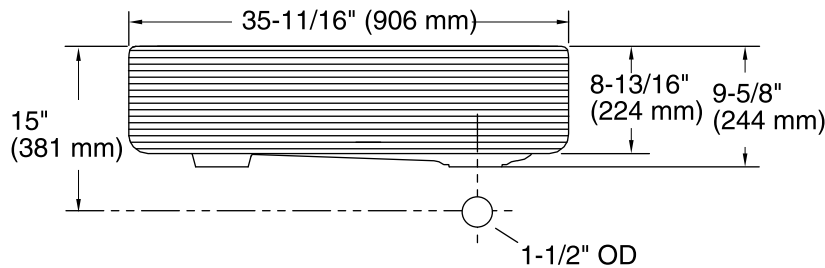
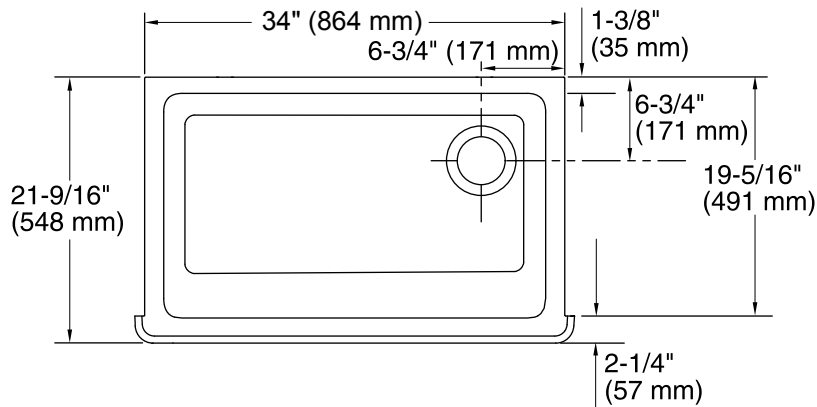
ASME A112.19.1/CSA B45.2

KOHLER® Enameled Cast Iron Kitchen Sink - Lifetime Limited Warranty

See website for detailed warranty information.

Product Specification

Kitchen sink shall be 35-11/16" (906 mm) in length, 21-9/16" (548 mm) in width, and 9-5/8" (244 mm) in height. Kitchen sink shall be made of cast iron with acid-resistant enamel finish. Kitchen sink shall be single bowl. Kitchen sink shall be 8-13/16" (224 mm) Self-Trimming integral apron. Kitchen sink shall fit a 36" apron sink base cabinet. Kitchen sink shall be under-mount. Sink shall be Kohler Model K-6351.



Technical Information

All measurements are approximate only.

Bowl configuration:	Single
Installation:	Under-mount
Minimum base cabinet width:	36" (914 mm)
Bowl area:	30-3/4" x 18-1/16" (781 mm x 459 mm)
Water depth:	9" (229 mm)
Drain hole:	3-5/8" (92 mm)
Template:	Under-mount, 1156910-7, required, included Apron Front, 1157001, required, included

Installation Notes

Install this product according to the installation guide.

NOTICE: The countertop manufacturer or cutter must use the cut-out template provided with the product, or a current one provided by Kohler Co. (call 1-800-4KOHLER). Kohler Co. is not responsible for cut-out errors when the incorrect cut-out template is used.

IMPORTANT! The distance from the top edge of the cabinet to the top of the cabinet door must be at least 9" (229 mm) to install this sink.