

### Features

- Siphon jet urinal.
- 3/4" top spud.
- 0.5 or 1.0 gpf (1.9 or 3.8 lpf) based on valve selected.
- Siphon jet.
- 3/4" top spud.
- Includes inlet and outlet spuds and hangers.
- Includes anti-backsplash wall.
- 14-1/2"(368 mm) extended rim.
- 0.5 gpf (1.9 lpf) or 1.0 gpf (3.8 lpf).

### Material

- Vitreous china.

### Water Conservation & Rebates

- WaterSense® compliant when used with WaterSense flushometer.

### Recommended Accessories

- K-10675 WAVE DC 0.5 GPF Urinal Flushometer
- K-10958 Tripoint™ DC 0.5 GPF Urinal Flushometer
- K-10961 Tripoint™ DC 1.0 GPF Flushometer
- K-13521 Manual 1.0 GPF Urinal Flushometer

### Components

Additional included component/s: 3/4" Inlet Spud, 2" Outlet Spud, and Hanger (2 Required).



ADA

### Codes/Standards





ASME A112.19.2/CSA B45.1  
DOE - Energy Policy Act 1992  
EPA WaterSense®  
California Energy Commission (CEC)  
ADA  
ICC/ANSI A117.1

### KOHLER® One-Year Limited Warranty

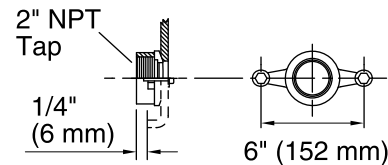
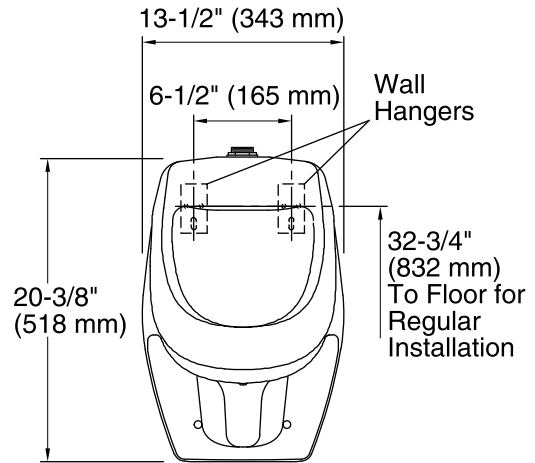
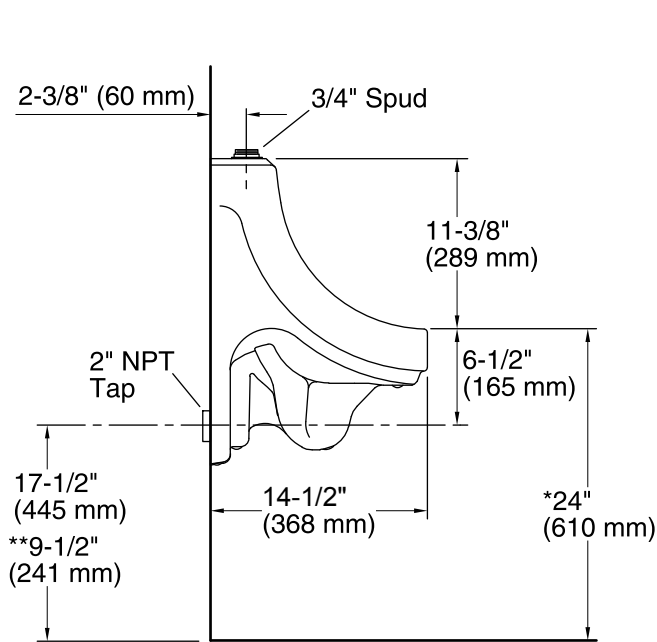
See website for detailed warranty information.

### Available Color/Finishes

*Color tiles intended for reference only.*

Color	Code	Description
	0	White
	96	Biscuit
	47	Almond
	7	Black Black™

\*Urinal complies with ADA requirement when rim is mounted no higher than 17" (432 mm) from finished floor.  
\*\*Outlet height for ADA compliance.



**Spud Detail**

### Technical Information

All product dimensions are nominal.

Flush outlet technology: Siphon jet

Spud size: 3/4", inlet, Top

Max. Water per Flush: 0.5 gal (1.9 L)

### Notes

Install this product according to the installation guide.

Refer to manufacturer's instructions and local codes for flushometer requirements.

ADA compliant when installed to the specific requirements of these regulations.