

Features

- Unique rainhead design reveals faucet stream flowing into wide-nozzle face plate, releasing a thick curtain of water.
- Full Coverage Rain uses gravity to deliver a soft flow of water, providing a gentle spray experience reminiscent of natural rainfall.
- Self-leveling ball joint keeps rainhead parallel to the ground for steady coverage.
- Optimized sprayface for maximum performance.
- 1.75 gpm (6.6 lpm) maximum flow rate at 45 psi (3.1 bar).

Material

- Premium material construction for durability and reliability.
- KOHLER finishes resist corrosion and tarnishing.

Installation

- 1/2 -14 NPT connection.
- Requires ceiling-mount single-function rainhead arm and flange (sold separately).

Water Conservation & Rebates

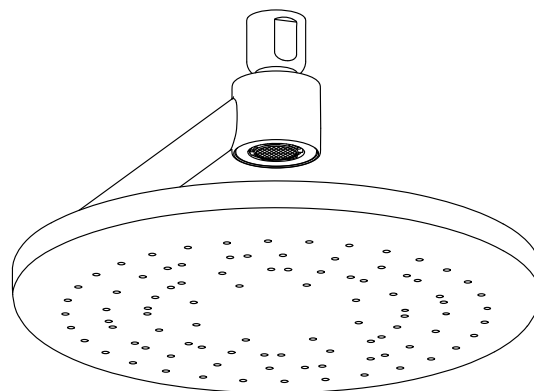
- This product can help a building earn Water Efficiency points in LEED® Green Building Rating System.

Required Products/Accessories

- K-26319 3" ceiling-mount rainhead arm and flange
- or
- K-26320 6" ceiling-mount rainhead arm
- or
- K-26321 12" ceiling-mount rainhead arm and flange
- or
- K-26322 16" wall-mount rainhead arm and flange

Recommended Products/Accessories

- K-23723 Faucet cleaner



Codes/Standards





ASME A112.18.1/CSA B125.1
DOE - Energy Policy Act 1992
EPA WaterSense®
California Energy Commission (CEC)

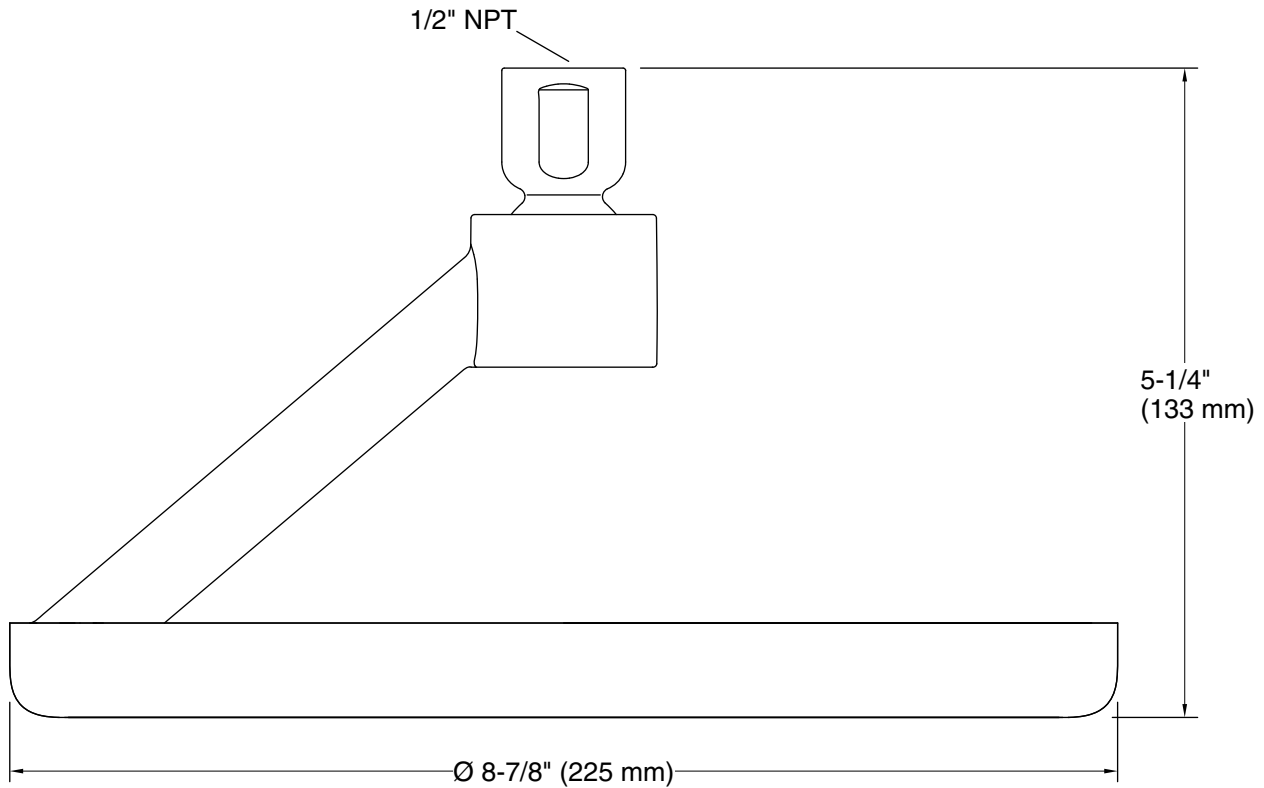
KOHLER® Faucet Lifetime Limited Warranty

See website for detailed warranty information.

Available Colors/Finishes

Color tiles intended for reference only.

Color	Code	Description
	CP	Polished Chrome
	BN	Vibrant® Brushed Nickel
	BL	Matte Black
	2MB	Vibrant® Brushed Moderne Brass



Technical Information

All product dimensions are nominal.

Showerhead/Body Spray:

Rated maximum flow: 1.75 gal/min (6.6 l/min)

flow:

Pressure: 45 psi (3.1 bar)