

### Features

- Professional style faucet with an easy to clean coated hose and removable coil.
- Three-function pull-down sprayhead with touch control allows you to switch from aerated stream to Sweep® spray to boost.
- Sweep® spray creates a wide, forceful blade of water for superior cleaning.
- Boost feature increases the flow rate by 30% with the press of a button.
- Magnetic docking arm that securely locks the sprayhead into place.
- MasterClean™ sprayface features an easy-to-clean surface that withstands mineral buildup.
- Single lever handle is simple to use and makes adjusting water temperature easy.
- Temperature memory allows faucet to be turned on and off at the temperature set during prior usage.
- Ceramic disc valves exceed industry longevity standards, ensuring durable performance for life.
- 1.5 gal/min (5.7 l/min) maximum flow rate [max at 60 psi (4.14 bar)]

### Material

- Premium metal construction.

### Installation

- Single- or three-hole installation (escutcheon included).
- Flexible supply lines simplify installation.

### Recommended Products/Accessories

K-77685 Single-Cartridge Water Filtration System  
 K-77686 Double-Cartridge Water Filtration System  
 K-77687 single replacement filter cartridge  
 K-77688 Replacement Filter Cartridges, Two-Pack

Installed component/s: Flexible Supply Hoses.

Loose component/s: 3 Hole Escutcheon.



ADA CSA B651

### Codes/Standards




ASME A112.18.1/CSA B125.1  
 NSF/ANSI 61  
 NSF/ANSI 372  
 All applicable US Federal and State material regulations  
 DOE - Energy Policy Act 1992  
 California Energy Commission (CEC)  
 ADA  
 ICC/ANSI A117.1  
 CSA B651

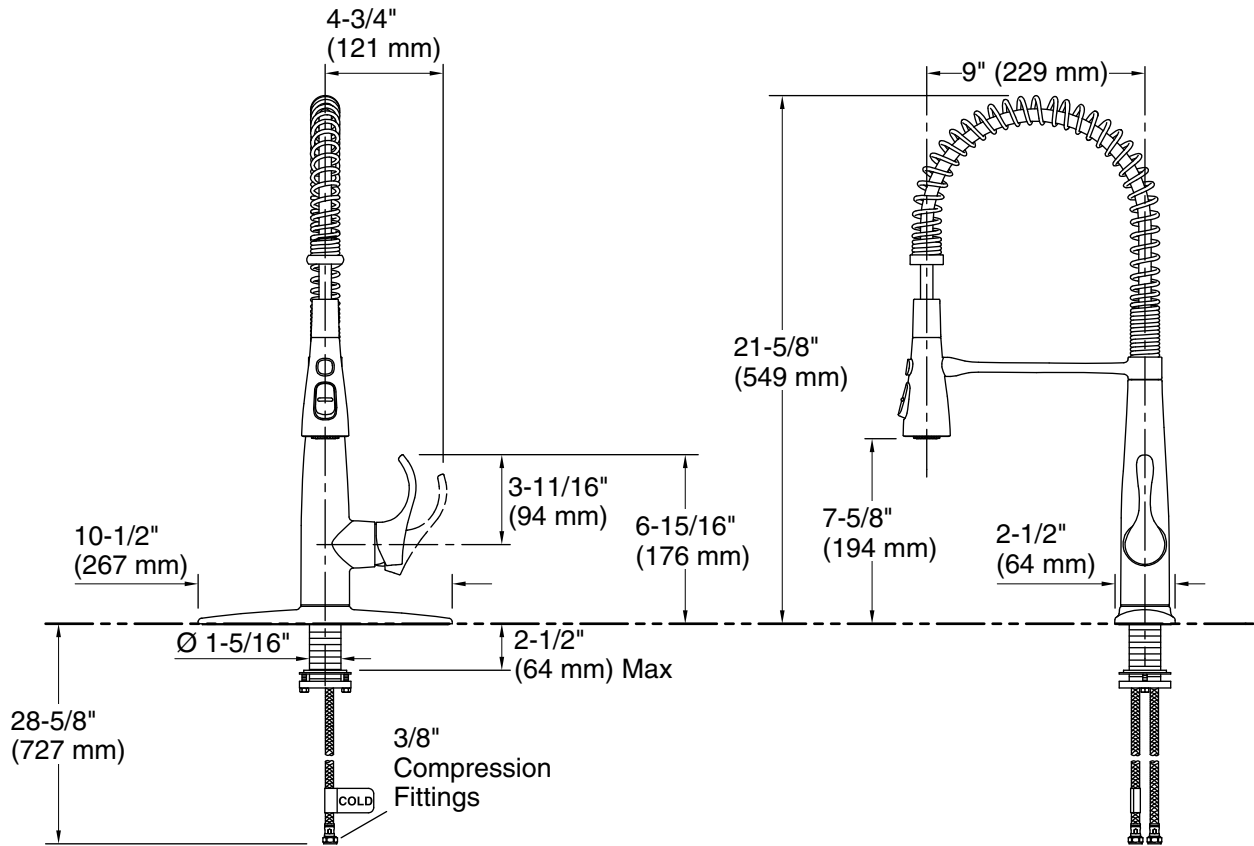
### KOHLER® Faucet Lifetime Limited Warranty

See website for detailed warranty information.

### Available Colors/Finishes

*Color tiles intended for reference only.*

| Color  | Code | Description        |
|--|------|--------------------|
|  | CP   | Polished Chrome    |
|  | VS   | Vibrant® Stainless |
|  | BL   | Matte Black        |



**Technical Information**

All product dimensions are nominal.

**Faucet:**

- Flow rate: 1.5 gal/min (5.7 l/min)
- Pressure: 60 psi (4.1 bar)
- Valve body: Composite

**Notes**

Install this product according to the installation instructions.

ADA, CSA B651 compliant when installed to the specific requirements of these regulations.