

Features

- Reversible quarter-turn washerless ceramic disc valves.
- Ceramic disc valves exceed industry longevity standards, ensuring durable performance for life.
- High-arch swing spout offers superior clearance for filling pots and cleaning.
- Two lever handles offer separate control of hot and cold water.
- 9" (229 mm) swing spout reach.
- For 8" (203 mm) centers.
- 1.8 gal/min (6.8l/min) maximum flow rate [max at 60 psi (4.14 bar)].
- Meets CalGreen requirements for kitchen faucets.

Material

- Premium metal construction.
- KOHLER finishes resist corrosion and tarnishing.

Installation

- Three-hole installation.
- Requires K-15850-4M lever handles (sold separately).
- Lower flow aerator options are available (refer to the Kohler Price Book).

Required Accessories

K-15850-4M Decorative Lever Handles



ADA

Codes/Standards

ASME A112.18.1/CSA B125.1
NSF 61
NSF 372
All applicable US Federal and State material regulations
DOE - Energy Policy Act 1992
California Energy Commission (CEC)
ADA
ICC/ANSI A117.1

KOHLER® Faucet Lifetime Limited Warranty

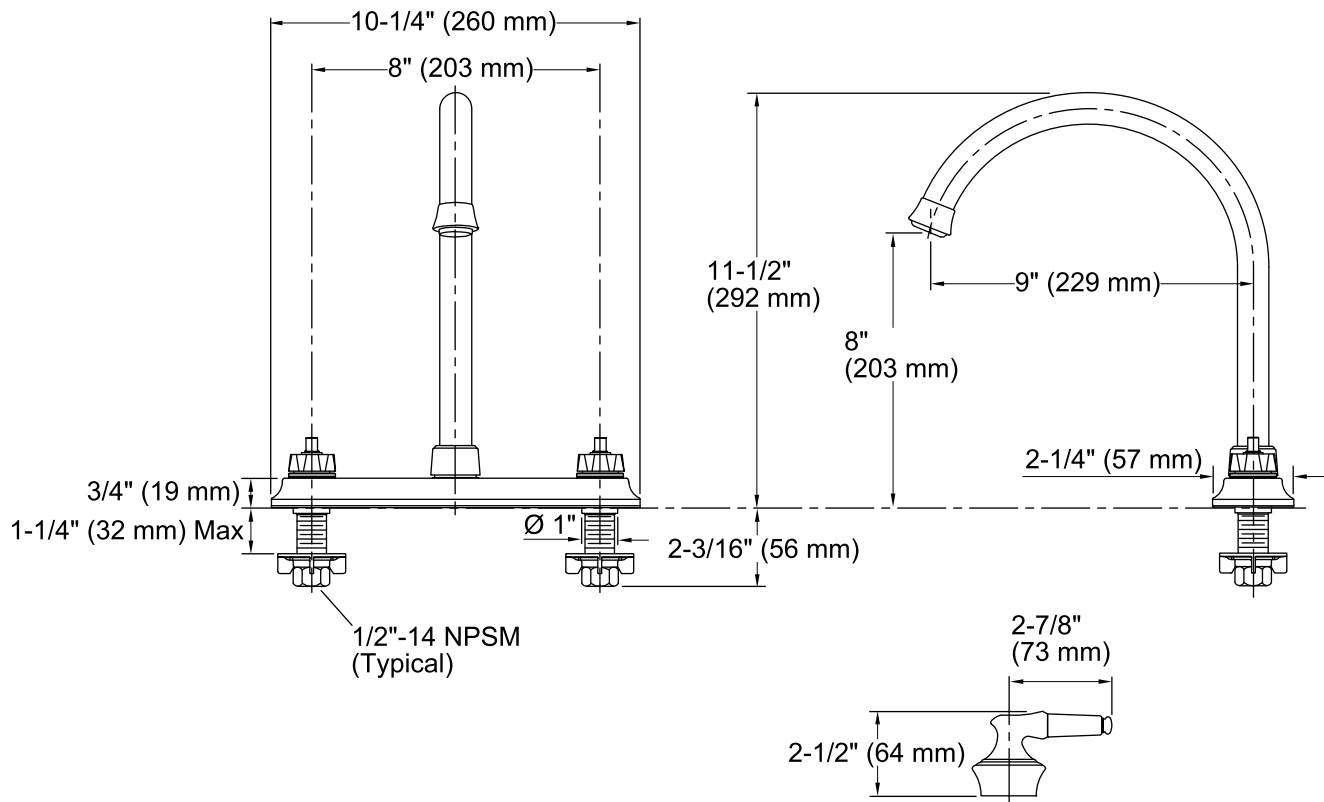
See website for detailed warranty information.

Available Color/Finishes

Color tiles intended for reference only.

Color Code Description

■ CP Polished Chrome



Technical Information

All product dimensions are nominal.

Spout:

Spout reach: 9" (229 mm)

Faucet:

Flow rate: 1.8 gal/min (6.8 l/min)

Pressure: 60 psi (4.1 bar)

Notes

Install this product according to the installation guide.

ADA compliant when installed to the specific requirements of these regulations.