

Features

- One-piece toilets integrate the tank and bowl into a seamless, easy-to-clean design.
- Elongated bowl offers added room and comfort.
- Dual flush offers a choice of 0.8 or 1.28 gpf (3.0 or 4.8 lpf).
- Left-hand Polished Chrome trip lever.
- 2-1/8" (54 mm) fully-glazed trapway.
- Skirted trapway simplifies cleaning.
- Quiet-Close™ elongated seat allows seat to close quietly.
- Vitreous china.

Installation

- Standard 12" (305 mm) rough-in.

Recommended Products/Accessories

1023457 Wax Ring/Hardware Kit
1265114 Connector Hose
K-23726 Drain treatment

Included Components

Additional Components:
1422715 Quiet-Close Seat



Codes/Standards

ASME A112.19.2/CSA B45.1
ASME A112.19.14
DOE - Energy Policy Act 1992
EPA WaterSense®
California Energy Commission (CEC)

KOHLER® Toilets and Seats Limited Warranty

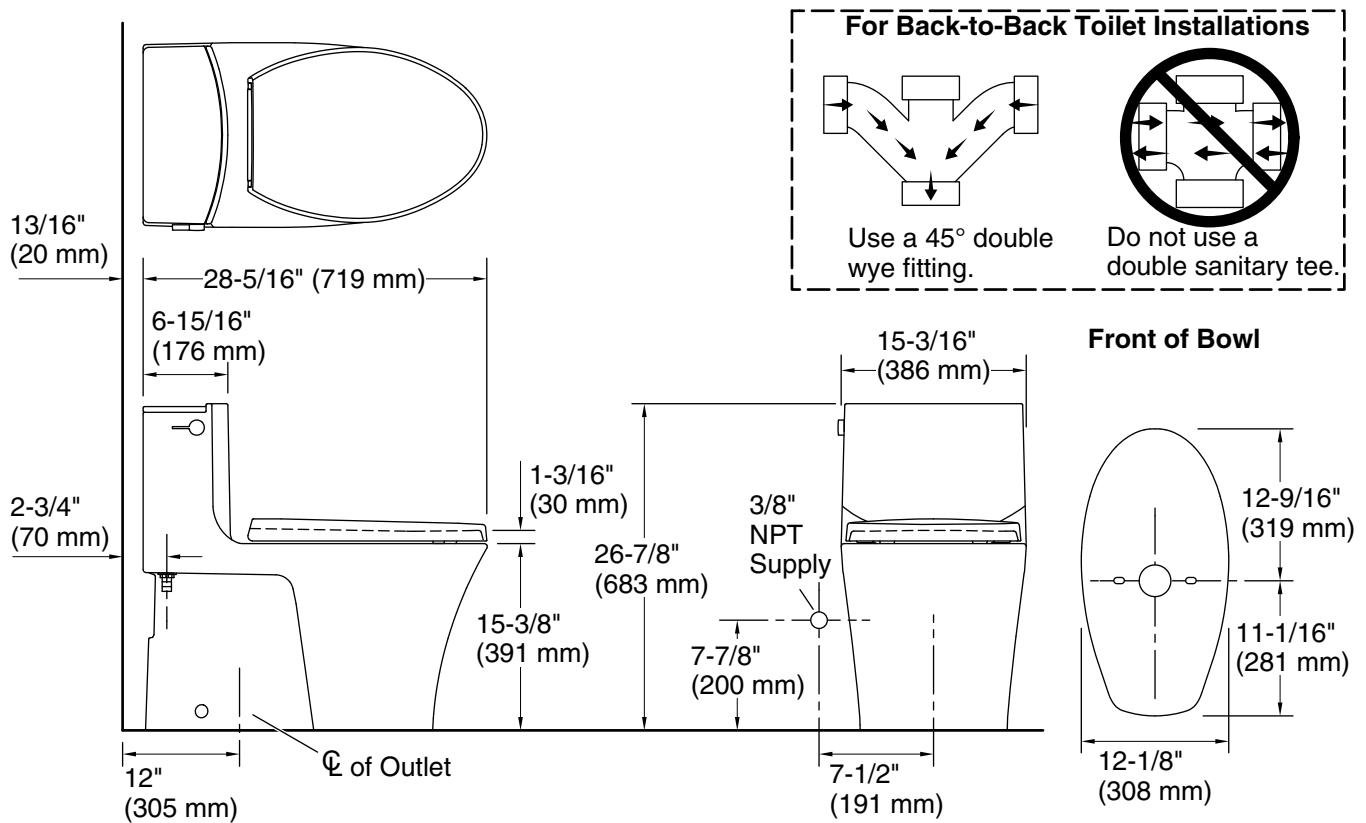
See website for detailed warranty information.

Available Colors/Finishes

Color tiles intended for reference only.

Color	Code	Description
-------	------	-------------

	0	White
--	---	-------



Technical Information

All product dimensions are nominal.

- Waste Outlet: Floor
- Bowl shape: Compact elongated
- Flush type: Gravity siphon jet
- Trap passageway: 2-1/8" (54 mm)
- Water Consumption
 - Full: 1.28 gpf (4.8 lpf)
 - Reduced: 0.8 gpf (3 lpf)
- Water surface size: 9" x 7-1/4" (229 mm x 184 mm)
- Rim to water surface: 5-3/8" (137 mm)
- Template: Footprint, 1262234-7, not required, included

Fixture Supply Requirements

- Min static pressure: 20 psi (137.9 kPa)
- Max static pressure: 80 psi (551.6 kPa)
- Min flowing pressure: 15 psi (103.4 kPa)
- Min flow rate: 1 gpm (3.8 lpm)

Notes

Install this product according to the installation instructions.