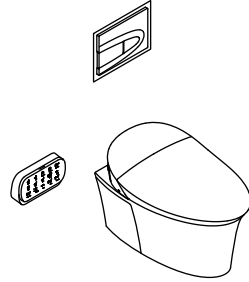


Homeowners Guide

Wall-Hung Toilet with Cleansing Seat

K-5402



Français, page "Français-1"
Español, página "Español-1"

THE BOLD LOOK
OF **KOHLER**®

IMPORTANT SAFEGUARDS

When using electrical products, especially when children are present, basic safety precautions should always be followed, including the following:

READ ALL INSTRUCTIONS BEFORE USING



DANGER: Risk of electric shock. Connect only to a circuit protected by a Ground-Fault Circuit-Interrupter (GFCI)*.



WARNING: Risk of personal injury. UV light emitted from this light can cause injury to skin or eyes. Avoid exposure to unshielded lamp.



WARNING: Risk of personal injury. Replacement of the UV lamp must only be performed by qualified service personnel.



CAUTION: Risk of personal injury. Do not remove the UV lamp protective cover. Eye damage may result from viewing the UV light directly.

For Service Personnel:



WARNING: Risk of electric shock. Disconnect power before servicing.



WARNING: Risk of personal injury. The UV lamp cover has an interlock designed to reduce the risk of excessive ultraviolet radiation. Do not bypass the interlock. Reinstall the interlock after servicing.

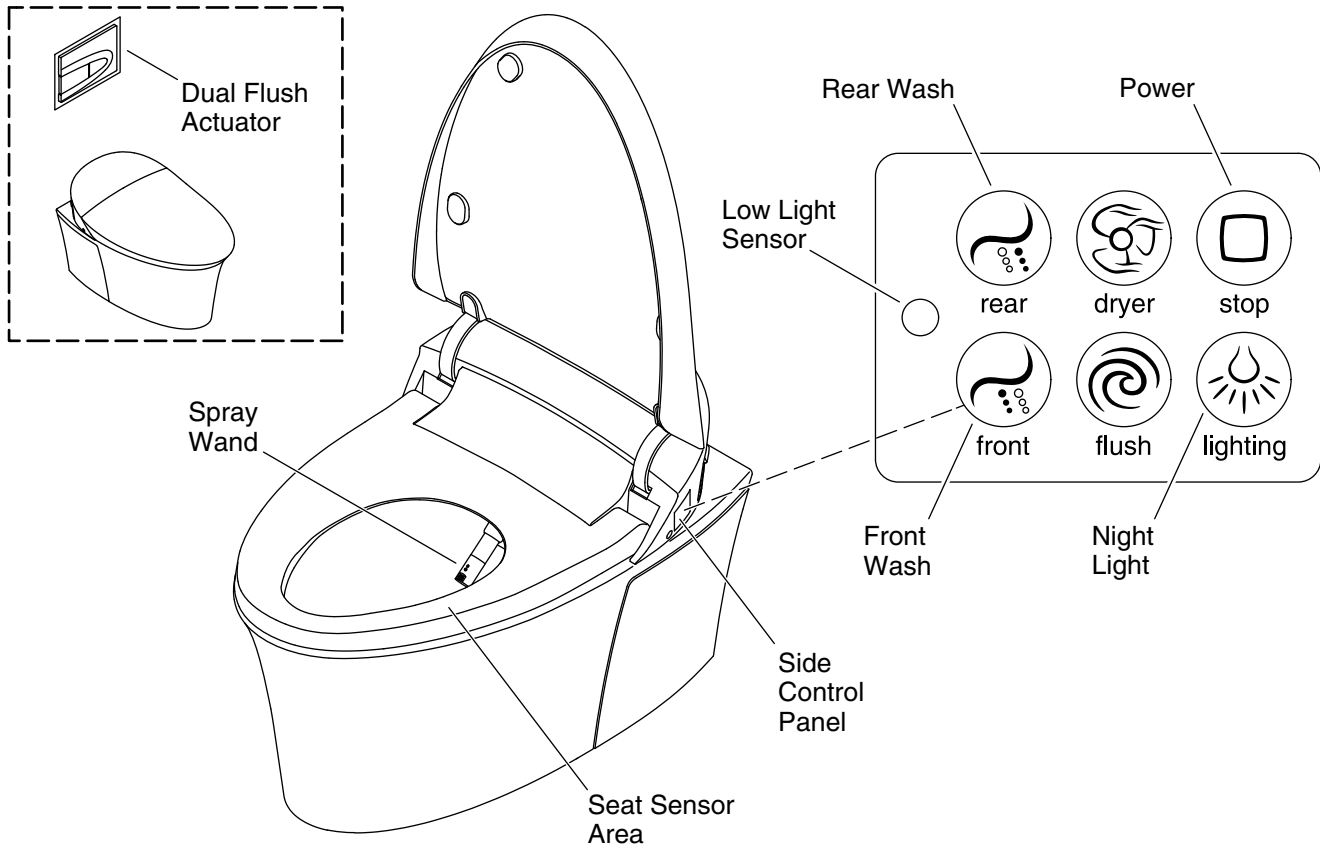
*Outside North America, this device may be known as a Residual Current Device (RCD).



WARNING: To reduce the risk of burns, electrocution, fire, or injury to persons:

- Close supervision is necessary when this product is used by or near children, the elderly, or invalids. Adjust the temperature of the seat for the elderly, those who are incapacitated, or persons with sensitive skin.
- Use this product only for its intended use as described in this manual. Do not use attachments not recommended by Kohler Co.
- Never operate this product if it has a damaged cord or plug, if it is not working properly, if it has been dropped or damaged, or dropped into water. Return the product for examination and repair.
- Keep the cord away from heated surfaces.
- Never block the air openings of the product. Keep the air openings free of lint, hair, and the like.
- Never use while sleeping or drowsy.
- Never drop or insert any object into any opening or hose.
- Do not use outdoors or operate where aerosol spray products are being used or where oxygen is being administered.
- This product should be connected to a grounded, metallic, permanent wiring system, or an equipment-grounding conductor should be run with the circuit conductors and connected to the equipment grounding terminal or lead on the product.
- This product conforms to applicable provisions of US 21 CFR, Chapter 1, Subchapter J, Radiological Health.

SAVE THESE INSTRUCTIONS



Manual Operation

NOTE: When the cleansing wash features are activated from the side control panel, they will default to the middle temperature, pressure, and wand position settings.

- **"rear"** - Press the icon to activate rear wash. Press again to stop rear wash.
- **"dryer"** - Press the icon to activate the dryer. Press again to stop the dryer.
- **"stop"** - Press the icon to stop an activated feature.
- **"front"** - Press the icon to activate front wash. Press again to stop front wash.
- **"flush"** - Press the icon to flush the toilet.
- **"lighting"** - Press the icon to turn the night light off. Press again to turn on the night light on.
- **Low Light Sensor** - Senses low light levels and turns the night light on.

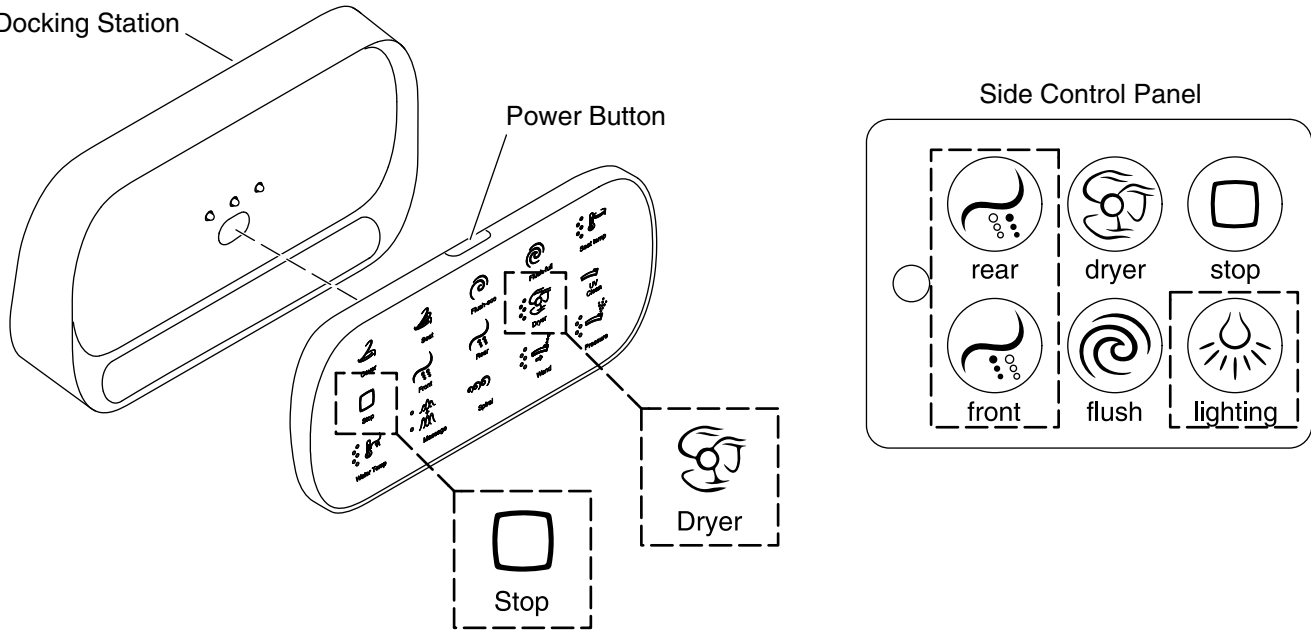
Dual Flush Actuator

- The dual flush actuator allows manual or touchless flush with a choice of full or reduced flush.
- **Large button** - For touchless full flush, hold your hand in front of the large button for 1.6 gpf (6.1 lpf). For manual flush, push the button.
- **Small button** - For touchless reduced flush, hold your hand in front of the small button for 0.8 gpf (3 lpf). For manual flush, push the button.

Docking Station

Power Button

Side Control Panel



Remote Control – Setup

NOTE: The remote control must be charged to operate. The “**Stop**” icon will blink when the remote needs to be charged.

Charging the Remote

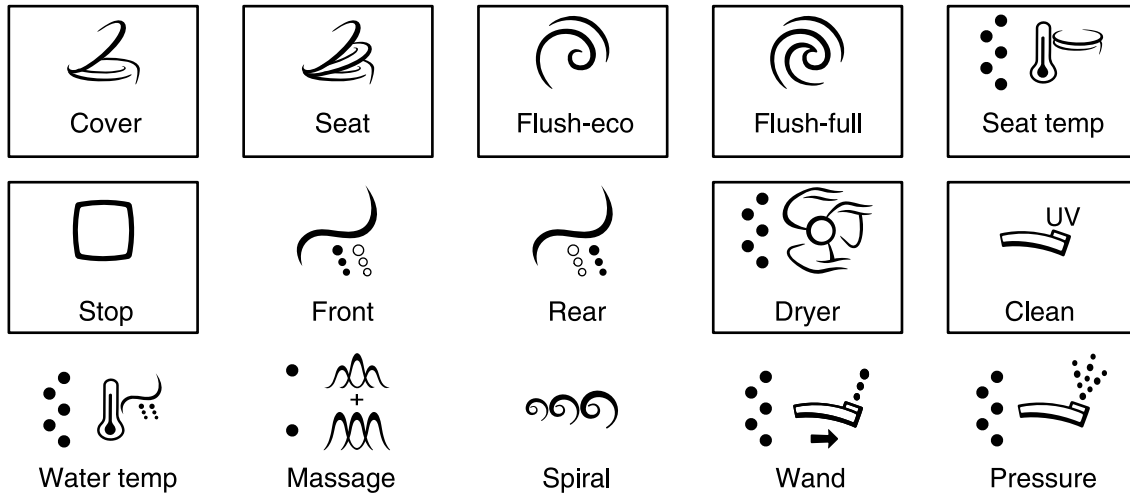
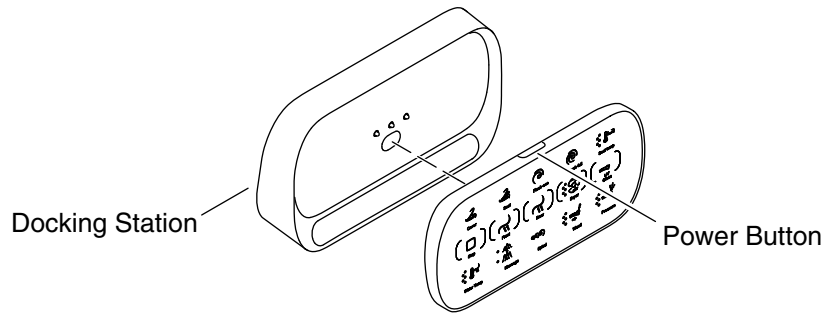
- Verify that the docking station has batteries installed. Refer to the “Replacing the Batteries” section.
- Place the remote control on docking station.
- The remote is fully charged when the “**Stop**” icon stops blinking.

Pairing to the Toilet

IMPORTANT! The remote control cannot be paired to the toilet while the toilet is occupied.

NOTE: The icons on the bottom row of the remote control will flash when the remote is not paired or is out of range of the toilet.

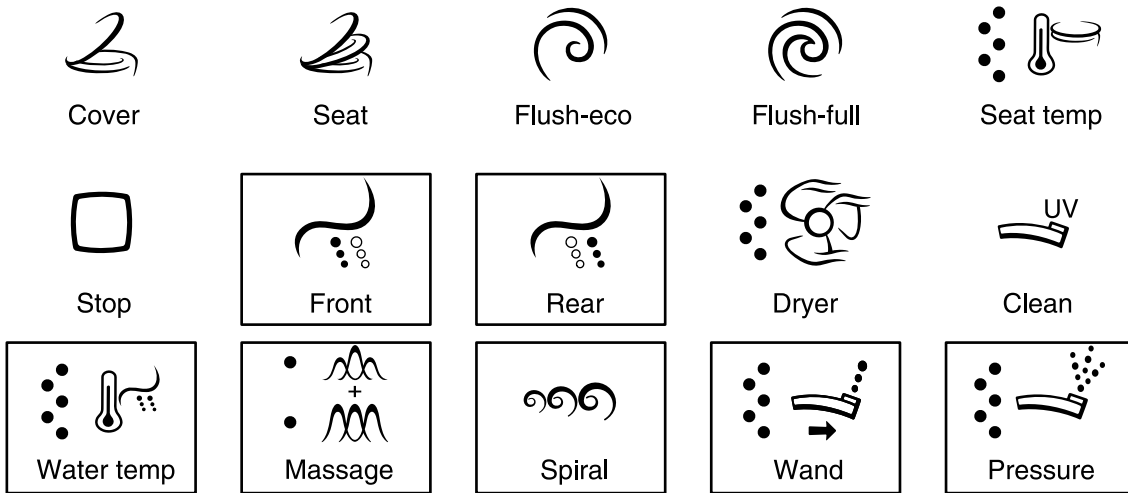
- Press the power button to turn on the remote control.
- Move the remote control within close proximity to the toilet. The bottom row of icons should be flashing.
- Press and hold the “**lighting**” icon on the side control panel. Release the icon after the night light blinks three times.
- Press and hold the “**Dryer**” icon on the remote control.
- While holding the “**Dryer**” icon on the remote control, press and hold the “**rear**” and “**front**” icons simultaneously on the side control.
- When pairing is successful, the bottom icons will stop flashing.



Remote Control – General Features

IMPORTANT! To activate features using the remote control, the remote must be paired with the toilet. Refer to the "Remote Control – Setup" section.

- **Power** - Press the power button to turn the remote control on or off.
- **Seat Cover** - With the seat unoccupied, press this "Cover" icon to open or close the cover.
- **Seat** - With the seat unoccupied, press the "Seat" icon to open or close the seat.
- **Eco Flush** - Press the "Flush-eco" icon to flush the toilet with 0.8 gpf (3 lpf).
- **Full Flush** - Press the "Flush-full" icon to flush the toilet with 1.6 gpf (6 lpf).
- **Heated Seat Temperature** - While seated, press the "Seat temp" icon, then press again to increase or decrease the temperature. The dots to the left of the icon indicate the temperature setting. There are five settings.
- **Stop** - Press the "Stop" icon to stop the cleansing wash, dryer, deodorizer, and UV sterilization. Press and hold to turn off the remote control.
- **Dryer** - While seated, press the "Dryer" icon to activate air flow. Press again to increase or decrease air flow.
- **UV Disinfection** - With the seat unoccupied, press the "Clean" icon to initiate wand disinfection. The feature is active when the icon is blinking.

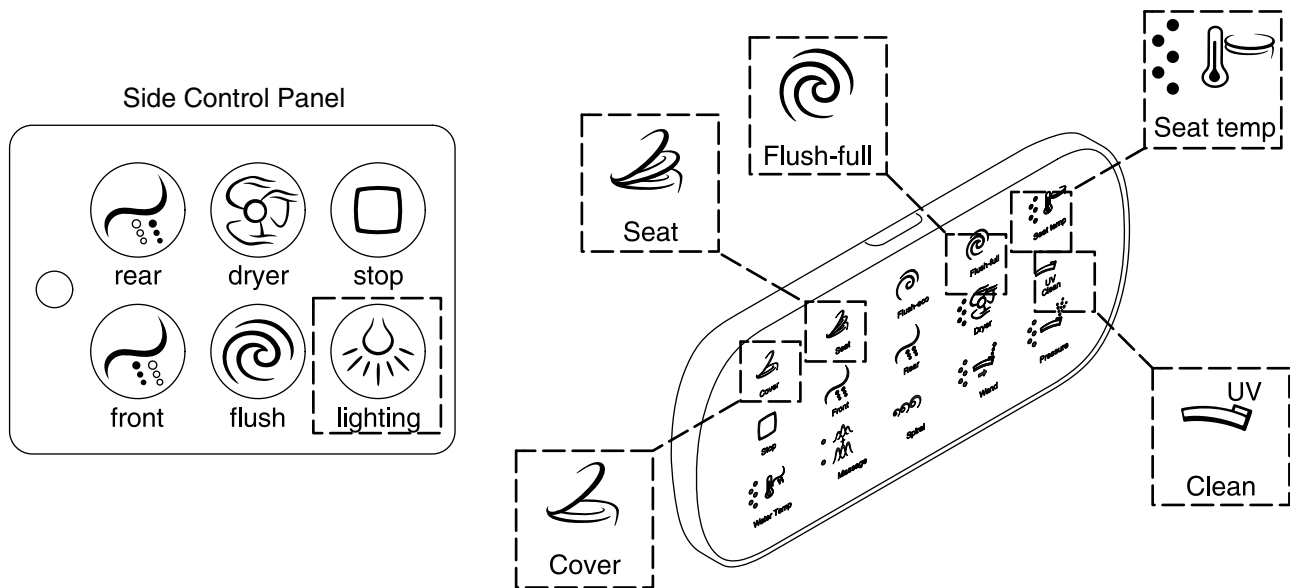


Remote Control – Cleansing Features

IMPORTANT! To activate features using the remote control, the remote must be paired with the toilet. Refer to the "Remote Control – Setup" section.

NOTE: Water temperature, water pressure, wand position, and massage action are adjustable while the front or rear wash is in use. The dots to the left of the icons indicate the current setting.

- **Front Wash** - Press the "Front" icon to activate water spray from the front of the wand. Washing will stop automatically after 5 minutes or can be stopped by pressing the "Stop" icon.
- **Rear Wash** - Press the "Rear" icon to activate water spray from the back of the wand. Washing will stop automatically after 5 minutes or can be stopped by pressing the "Stop" icon.
- **Water Temperature** - Press the "Water temp" icon, then press again to increase or decrease the temperature through five settings.
- **Massage** - Press the "Massage" icon to activate oscillating action. Press again to switch to pulsating action. Press a third time for simultaneous oscillating and pulsating actions. Press a fourth time to stop the action.
- **Spiral** - Press the "Spiral" icon to activate spiral action. This feature is only available while the rear wash is in use. Press the icon again to stop the action.
- **Wand Position** - Press the "Wand" icon, then press again to adjust the wand position through five settings.
- **Water Pressure** - Press the "Pressure" icon, then press again to increase or decrease water pressure through five settings.



Enable/Disable Automatic Features

NOTE: Automatic features come enabled from the factory.

Cover Open/Close

- When enabled, the seat cover automatically opens when the toilet is approached. The seat and seat cover will automatically close 3 minutes after the toilet has been used.
- Press and hold the "lighting" icon on the side control panel until the night light blinks three times.
- Press the "Cover" icon on the remote control. The night light blinks once quickly when the sensor is set to short distance, twice quickly for mid-distance, and three times quickly for long distance.
- The night light blinks slowly when the feature is disabled.

Deodorizer

- When enabled, the deodorizer automatically activates while the toilet is in use.
- Press and hold the "lighting" icon on the side control panel until the night light blinks three times.
- Press the "Seat" icon on the remote control.
- The night light blinks once quickly when the feature is enabled, or blinks slowly when disabled.

Automatic Flush

- When enabled, the toilet will automatically flush 60 seconds after the user stands up, lowers the seat, or leaves the area.
- Press and hold the "lighting" icon on the side control panel until the night light blinks three times.
- Press the "Flush-full" icon on the remote control.
- The night light blinks once quickly when the feature is enabled, or blinks slowly when disabled.

Energy Save Mode

- When enabled, the toilet conserves energy by reducing the heated seat temperature when the toilet is not in use.
- Press and hold the "lighting" icon on the side control panel until the night light blinks three times.

Enable/Disable Automatic Features (cont.)

- Press the "Seat temp" icon on the remote control.
- The night light blinks once quickly when the feature is enabled, or blinks slowly when disabled.

UV Disinfection

- When enabled, ultra violet rays and water sterilize the spray wand daily. This feature only operates when the seat is closed.
- Press and hold the "lighting" icon on the side control panel until the night light blinks three times.
- Press the "UV" icon on the remote control.
- The night light blinks once quickly when the feature is enabled, or blinks slowly when disabled.

Care and Cleaning



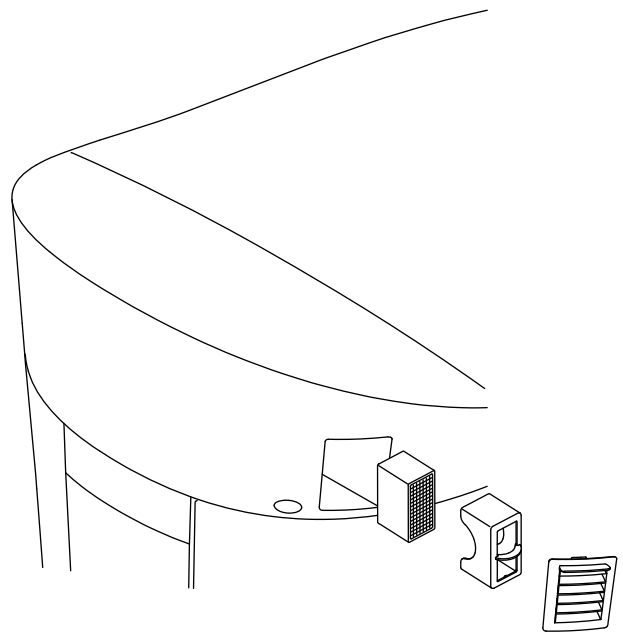
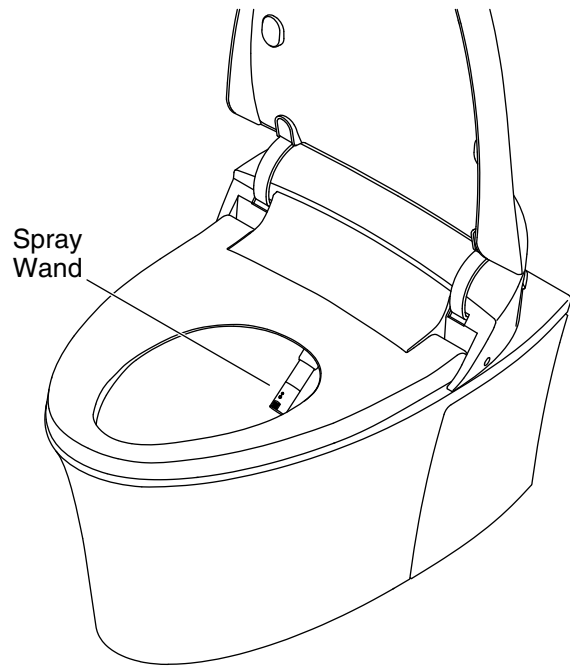
WARNING: Risk of property or product damage. Do not use in-tank cleaners in your toilet. Products containing chlorine (calcium hypochlorite) can seriously damage fittings in the tank. This damage can cause leakage and property damage.

Kohler Co. shall not be responsible or liable for any tank fitting damage caused by the use of cleaners containing chlorine (calcium hypochlorite).

For best results, keep the following in mind when caring for your KOHLER product:

- Always test your cleaning solution on an inconspicuous area before applying to the entire surface.
- Wipe surfaces clean and rinse completely with water immediately after applying cleaner. Rinse and dry any overspray that lands on nearby surfaces.
- Do not allow cleaners to soak on surfaces.
- Use a soft, dampened sponge or cloth. Never use an abrasive material such as a brush or scouring pad to clean surfaces.
- **For Artist Edition Toilets:** Treat your decorative product just as you would treat your fine china. DO NOT use bristle brushes or abrasive-backed sponges. They will scratch decorative surfaces. Use only warm water to clean. Dry with a cotton cloth or soft sponge.

For detailed cleaning information and products to consider, visit www.kohler.com/clean. To order Care & Cleaning information, call 1-800-456-4537.



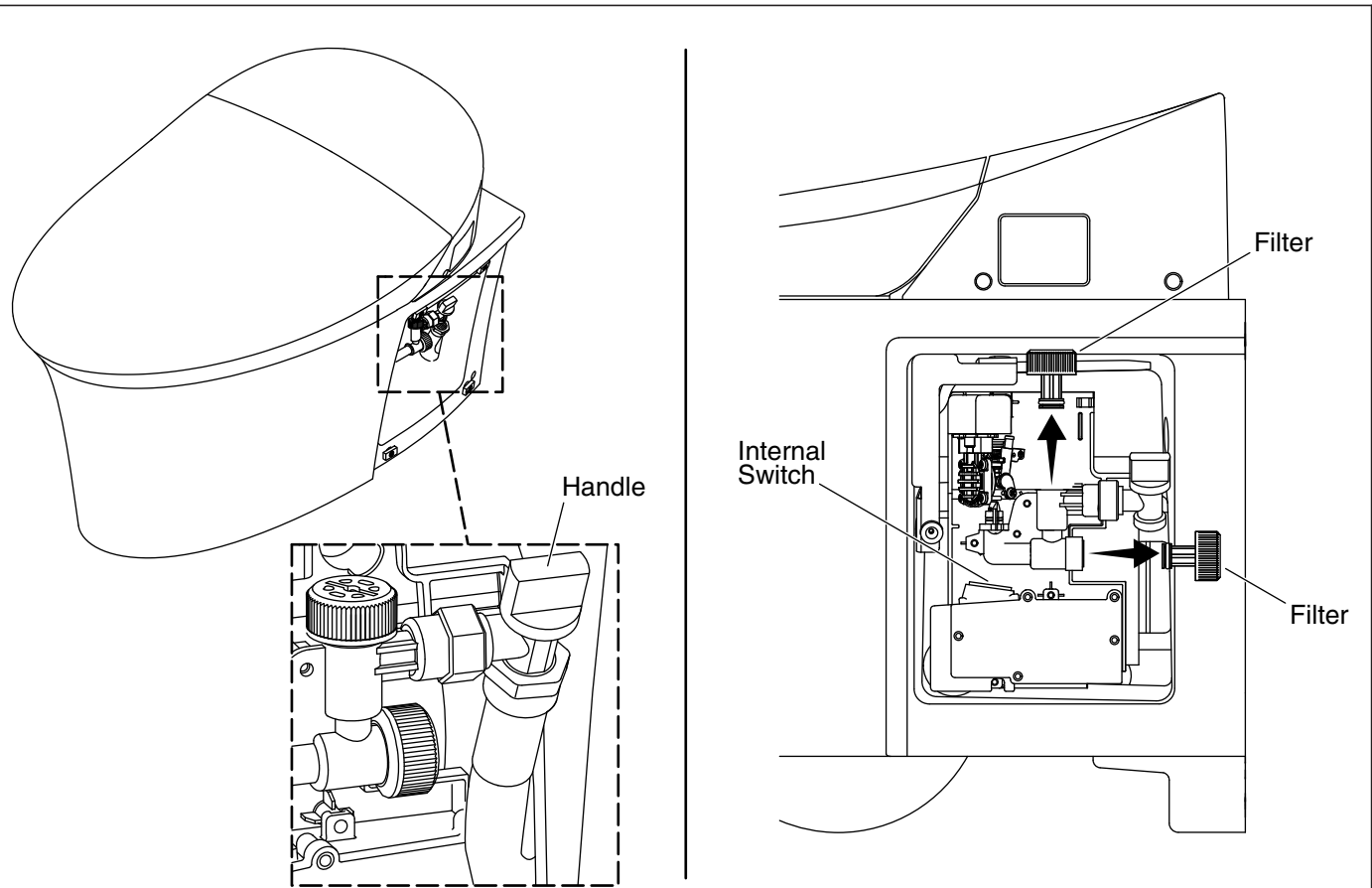
Servicing the Wand and Deodorizer

Cleaning the Spray Wand

- On the remote control, press and hold the "Wand" icon to extend the wand forward.
- Clean the spray wand with a soft-bristled brush and hot water.
- Press and hold the "Wand" or "Stop" icon to retract the wand.

Cleaning or Replacing the Deodorizer

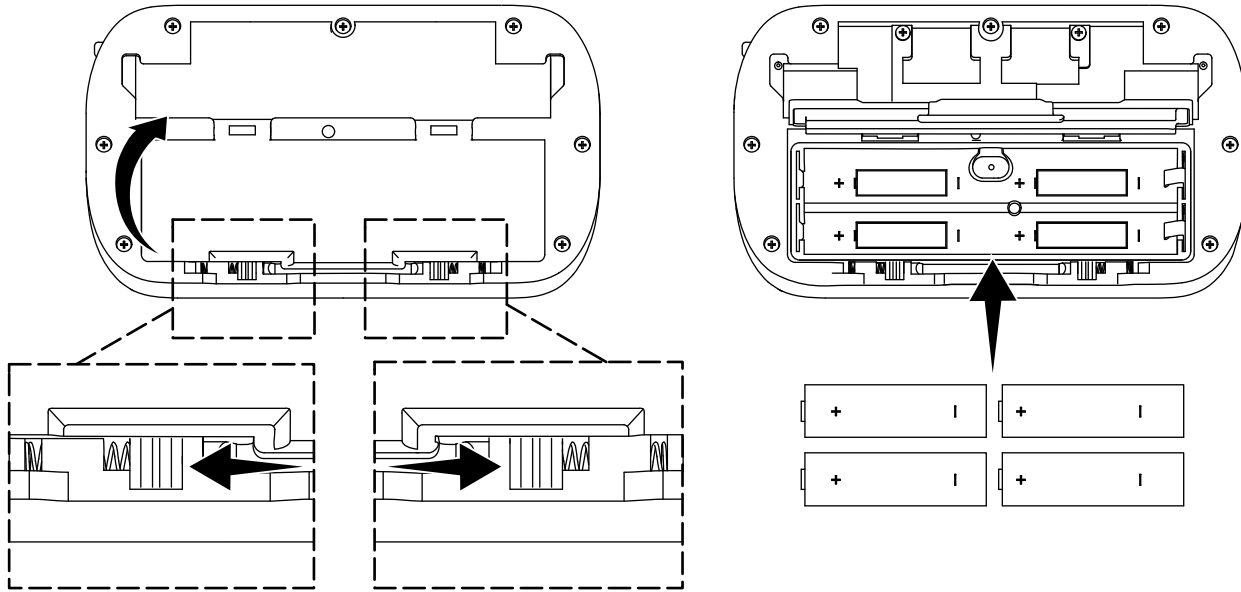
- Remove the filter cover.
- Remove the filter from the housing and inspect it for damage.
- If the filter is damaged, replace it.
- If the filter is clogged, remove all debris.
- Install the filter.
- Reinstall the cover.



Servicing the Filters

- Remove the right side panel.
- Turn off the power to the toilet by flipping the internal switch.
- Turn off the water by turning the handle to the closed position.
- Remove the filters and inspect them for damage.
- If the filters are damaged, replace them.
- If the filters are clogged, remove all debris.
- Install the filters.
- Turn on the water by turning the handle to the open position.
- Turn on the power to the toilet by flipping the internal switch.
- Reattach the right side panel.

Back of Docking Station



Replacing the Batteries

NOTE: The red light on the docking station will blink when the batteries are low. The "Stop" icon on the remote control will blink when it has a low charge and should be returned to the docking station.

- If the remote control is secured to the docking station, remove it and set aside.
- Remove the docking station from the wall by carefully lifting up and out.
- Open the back compartment on the docking station by pushing both tabs outward at the same time.
- Install four AA batteries, oriented as shown in the battery compartment.
- Reinstall the cover.
- Reinstall the docking station on the wall.

Troubleshooting

NOTE: For service parts information, visit the product page at www.kohler.com/serviceparts.

Small Children

- The automatic flush and cleansing features are activated by a sensor located under the seat. Small children may not be tall enough to be detected by the sensor.

General

Symptoms	Probable Causes	Recommended Action
1. The toilet has no power.	A. The power is not turned on.	A. Flip the switch on the junction box behind the right side panel.
	B. The power is not connected.	B. Check the power connection inside the junction box.
2. The toilet has power but does not flush.	A. No water being supplied to the toilet.	A. Fully open the water supply stop.
3. No water sprays from the wand or it has a weak stream when activated.	A. The water supply stop is closed or only partially open.	A. Fully open the water supply stop.

Troubleshooting (cont.)		
General		
Symptoms	Probable Causes	Recommended Action
	B. The inlet hose from the water supply stop to the toilet is kinked or looped too tight.	B. Remove the kink in the hose or make the loop wider.
	C. The sensor does not detect the user.	C. Small children may not be detected. Adjust the sitting position. The sensor may have difficulty with fabric or other objects. The sensor is designed to sense skin.
	D. The filters are blocked or damaged.	D. Service the filters. Refer to the "Servicing the Filters" section.
4. The heated seat is not working.	A. The heated seat is not enabled.	A. Activate the heated seat. Refer to the "Enable/Disable Automatic Features" section.
	B. The temperature setting is too low.	B. Adjust the heated seat temperature using the remote control.
5. Water stops flowing from the spray wand before cleansing is complete.	A. Washing automatically stops 5 minutes after pressing a spray icon.	A. Press the "Front" or "Rear" icon to restart cleansing.
6. The deodorizer is not working.	A. The deodorizer is not activated.	A. Activate the deodorizer using the remote control.
7. The UV disinfection feature is not working.	A. The UV disinfection feature is not activated.	A. Activate the UV disinfection feature. Refer to the "Enable/Disable Automatic Features" section.
8. The toilet does not flush automatically.	A. The automatic flush feature is not enabled.	A. Activate automatic flush. Refer to the "Enable/Disable Automatic Features" section.
	B. The sensor does not detect the user.	B. If this issue occurs repeatedly, call the Customer Care Center using the information on the back of this manual.
9. The night light does not turn on in low light conditions.	A. The night light is not enabled.	A. Press the "lighting" icon on the side control panel.
	B. The low light sensor is not working.	B1. Clean the light sensor on the side control panel. B2. Call the Customer Care Center using the information on the back of this manual.
Remote Control		
Symptoms	Probable Causes	Recommended Action
1. The remote control is not turning on.	A. The batteries are not properly installed.	A. Reinstall the batteries. Refer to the "Replacing the Batteries" section.
	B. The batteries are drained.	B. Replace the batteries. Refer to the "Replacing the Batteries" section.
2. The remote control is not connecting with the toilet.	A. The remote is too far from the toilet to receive a signal.	A. Move the remote closer to the toilet to regain a connection.
	B. The remote is not paired with the toilet.	B. Pair the remote to the toilet. Refer to the "Remote Control – Setup" section.

Remote Control Compliance

FCC ID: N82-KOHLER015, N82-KOHLER018

IFT: Certification Number RCPKO1215-2233 and RCPKO1215-2234.

This device complies with Part 15 of the FCC Rules. Operation is subject to the following two conditions:

1. This device may not cause harmful interference, and
2. This device must accept any interference received, including interference that may cause undesired operation.

Changes or modifications not expressly approved by the party responsible for compliance could void the user's authority to operate the equipment.

This equipment has been tested and found to comply with the limits for a Class B digital device, pursuant to Part 15 of the FCC Rules. These limits are designed to provide reasonable protection against harmful interference in a residential installation. This equipment generates, uses, and can radiate radio frequency energy and, if not installed and used in accordance with the instructions, may cause harmful interference to radio communications. However, there is no guarantee that interference will not occur in a particular installation. If this equipment does cause harmful interference to radio or television reception, which can be determined by turning the equipment off and on, the user is encouraged to try to correct the interference by one of the following measures:

- Reorient or relocate the receiving antenna.
- Increase the separation between the equipment and receiver.
- Connect the equipment into an outlet on a circuit different from that to which the receiver is connected.
- Consult the dealer or an experienced radio/TV technician for help.

RF Exposure Warning

This transmitter with its antenna complies with FCC's RF exposure limits for general population/uncontrolled exposure.

This device must not be co-located or operated in conjunction with any other antenna or transmitter.

This device should be operated with a minimum distance of at least 20 cm between the antenna and a person's body.

CANADA IC: 4554A-KOHLER015, 4554A-KOHLER018

This device complies with Industry Canada licence-exempt RSS standard(s).

Operation is subject to the following two conditions:

1. This device may not cause interference, and
2. This device must accept any interference, including interference that may cause undesired operation of the device.

This transmitter with its antenna complies with Industry Canada RF Exposure Limits for General Population/Uncontrolled Exposure.

This Class B digital apparatus complies with Canadian ICES-003.

Warranty

KOHLER Intelligent Toilet and C3 Cleansing Seat Three-Year Limited Warranty

Kohler Co. warrants that its toilets with integrated cleansing functionality ("Intelligent Toilets") and electric cleansing seats will be free of defects in material and workmanship during normal residential use for three years from the date the product is installed. This warranty applies only to intelligent toilets and electric cleansing seats installed in the United States of America, Canada and Mexico ("North America").

If a defect is found in normal residential use, Kohler Co. will, at its election, repair, provide a replacement

Warranty (cont.)

part or product, or make appropriate adjustment where Kohler Co.'s inspection discloses any such defect. Damage caused by accident, misuse, or abuse is not covered by this warranty. Improper care and cleaning will void the warranty*. Proof of purchase (original sales receipt) must be provided to Kohler Co. with all warranty claims. Kohler Co. is not responsible for labor charges, installation, or other incidental or consequential costs other than those noted above. In no event shall the liability of Kohler Co. exceed the purchase price of the intelligent toilet or electric cleansing seat.

If the intelligent toilets or electric cleansing seats are used commercially or are installed outside of North America, Kohler Co. warrants that the intelligent toilet or electric cleansing seat will be free from defects in material and workmanship for one (1) year from the date the product is installed, with all other terms of this warranty applying except duration.

If you believe that you have a warranty claim, contact your Home Center, Dealer, Plumbing Contractor or E-tailer. Please be sure to provide all pertinent information regarding your claim, including a complete description of the problem, the product, model number, the date the product was purchased, from whom the product was purchased and the installation date. Also include your original invoice. For other information, or to obtain the name and address of the service and repair facility nearest you, write Kohler Co., Attn: Customer Care Center, Kohler, Wisconsin 53044 USA, or by calling 1-800-4-KOHLER (1-800-456-4537) from within the USA and Canada, and 001-800-456-4537 from within Mexico, or visit www.kohler.com within the USA, www.ca.kohler.com from within Canada, or www.mx.kohler.com in Mexico.

THE FOREGOING WARRANTIES ARE IN LIEU OF ALL OTHER WARRANTIES, EXPRESS OR IMPLIED, INCLUDING BUT NOT LIMITED TO THE IMPLIED WARRANTIES OF MERCHANTABILITY AND FITNESS FOR A PARTICULAR PURPOSE. KOHLER CO. AND/OR SELLER DISCLAIM ANY LIABILITY FOR SPECIAL, INCIDENTAL OR CONSEQUENTIAL DAMAGES.

Some states/provinces do not allow limitations of how long an implied warranty lasts or the exclusion or limitation of such damages, so these limitations and exclusions may not apply to you. This warranty gives the consumer specific legal rights. You may also have other rights that vary from state/province to state/province. This warranty is to the original consumer purchaser only, and excludes product damage due to installation error, product abuse, or product misuse, whether performed by a contractor, service company, or the consumer.

This is Kohler Co.'s exclusive written warranty.

* Never use cleaners containing abrasive cleansers, ammonia, bleach, acids, waxes, alcohol, solvents or other products not recommended for stainless steel or polypropylene plastic. This will void the warranty.

Guide du propriétaire

Toilette fixée au mur avec siège de nettoyage

MESURES DE SÉCURITÉ IMPORTANTES

Lors de l'utilisation de produits électriques, et en particulier en présence d'enfants, toujours observer les mesures de sécurité fondamentales, notamment:

LIRE TOUTES LES INSTRUCTIONS AVANT UTILISATION



DANGER: Risque de choc électrique. Raccorder uniquement à un circuit protégé par un disjoncteur de fuite de terre (GFCI)*.



AVERTISSEMENT: Risque de blessures. La lumière ultraviolette émise par cette lampe peut créer des lésions oculaires ou de la peau. Éviter toute exposition à une lampe non blindée.



AVERTISSEMENT: Risque de blessures. Le remplacement de la lampe UV peut seulement être effectué par un personnel d'entretien qualifié.



ATTENTION: Risque de blessures. Ne pas retirer le couvercle de protection de la lampe UV. Les yeux pourraient subir des lésions lorsque l'on regarde directement dans la lumière UV.

Pour le personnel préposé à l'entretien:



AVERTISSEMENT: Risque de choc électrique. Déconnecter l'alimentation électrique avant d'effectuer un entretien.



AVERTISSEMENT: Risque de blessures. Ce couvercle de lampe UV est doté d'un système de verrouillage conçu pour réduire le risque d'un rayonnement ultraviolet excessif. Ne pas annuler le verrouillage. Réinstaller le verrouillage après l'entretien.

* Hors de l'Amérique du Nord, ce dispositif peut être connu sous le nom de dispositif à courant résiduel (RCD).



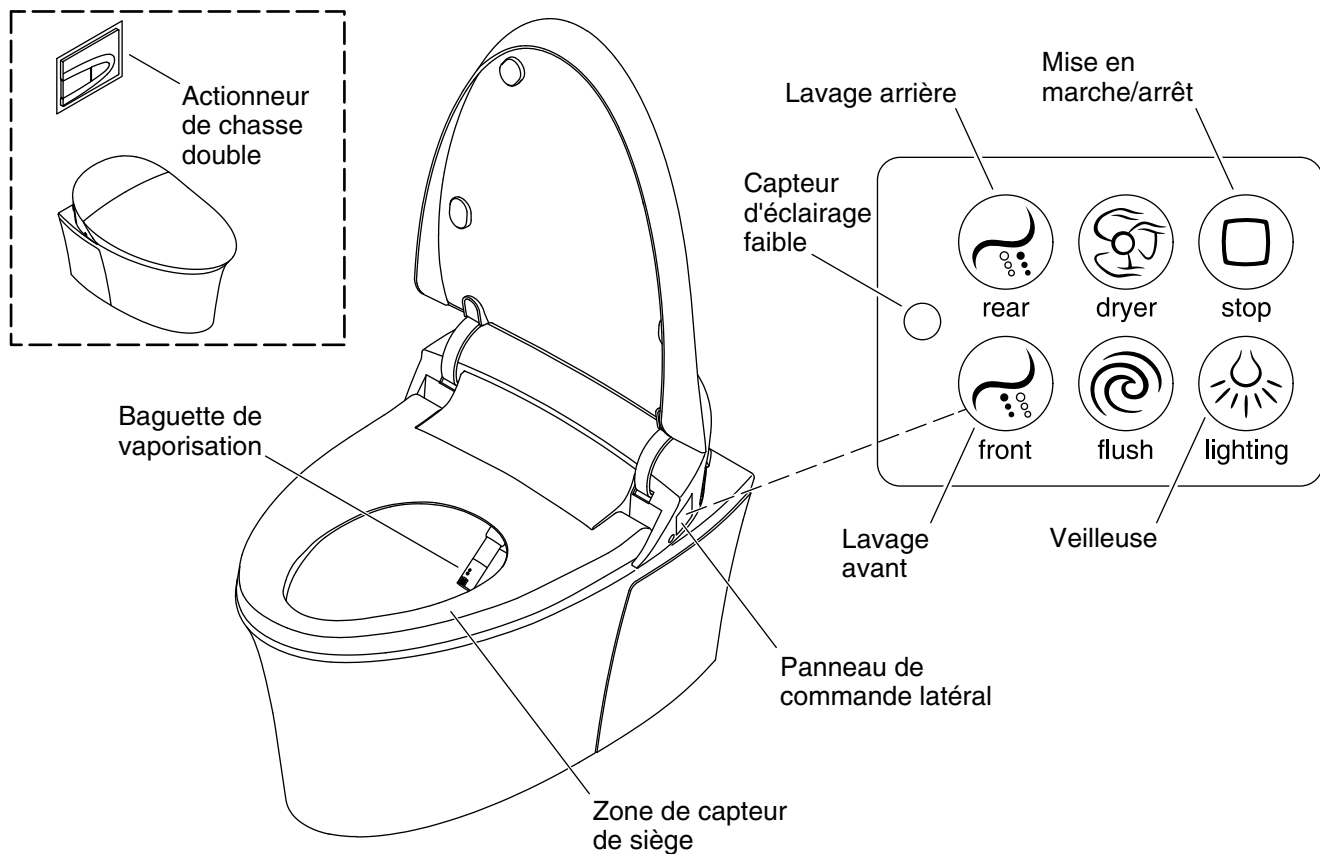
AVERTISSEMENT: Pour réduire le risque de brûlures, d'électrocution, d'incendie ou de blessures personnelles:

- Il est nécessaire de superviser de près lorsque ce produit est utilisé par de jeunes enfants, des personnes âgées ou invalides, ou lorsqu'il se trouve dans leur proximité. Ajuster la température du siège pour les personnes âgées, les personnes frappées d'incapacité, ou les personnes dont la peau est sensible.
- Utiliser ce produit uniquement pour l'usage pour lequel il est destiné, tel que décrit dans ce manuel. Ne pas utiliser de dispositifs d'attache non recommandés par Kohler Co.
- Ne jamais faire fonctionner ce produit si son cordon ou sa prise sont endommagés, s'il ne fonctionne pas correctement, s'il est tombé ou s'il est endommagé, ou s'il est tombé dans de l'eau. Retourner le produit pour le faire examiner et réparer.
- Tenir le cordon à distance de surfaces chauffées.
- Ne jamais bloquer les ouvertures d'air du produit. S'assurer de l'absence de peluches, de cheveux ou d'autres éléments similaires sur les ouvertures d'air.
- Ne jamais utiliser ce dispositif lorsque l'on dort ou si l'on se sent somnolent.
- Ne jamais faire tomber ou insérer un objet quelconque dans une ouverture ou un tuyau.

MESURES DE SÉCURITÉ IMPORTANTES (cont.)

- Ne pas utiliser ce dispositif à l'extérieur et ne pas le faire fonctionner en présence de produits aérosols ou si l'on administre de l'oxygène.
- Ce produit doit être connecté à un système de câblage métallique permanent et mis à la terre, ou un conducteur de mise à la terre de l'équipement doit être acheminé avec les conducteurs du circuit et connecté à la borne ou au fil de mise à la terre de l'équipement sur le produit.
- Ce produit est conforme aux conditions applicables de l'US 21 CFR, Chapitre 1, Sous-chapitre J, Hygiène radiologique.

CONSERVER CES INSTRUCTIONS



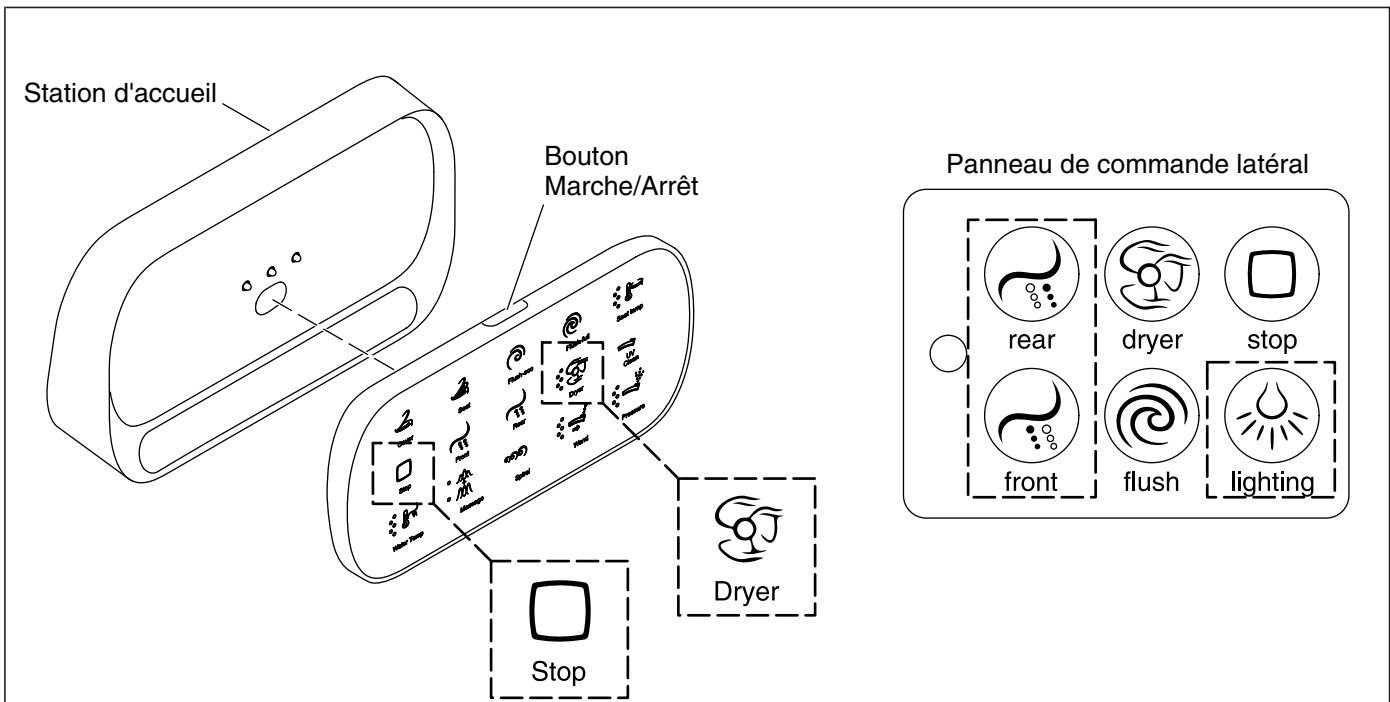
Fonctionnement manuel

REMARQUE: Lorsque les fonctions de nettoyage et de lavage sont activées à partir du panneau de commande latéral, elles se mettent par défaut aux réglages moyens de température, de pression et de position de baguette.

- **"rear" (arrière)** - Appuyer sur l'icône pour activer le lavage arrière. Appuyer de nouveau pour arrêter le lavage arrière.
- **"dryer" (séchoir)** - Appuyer sur l'icône pour activer le séchoir. Appuyer de nouveau pour arrêter le séchoir.
- **"stop" (arrêter)** - Appuyer sur l'icône pour arrêter une fonction activée.
- **"front" (avant)** - Appuyer sur l'icône pour activer le lavage avant. Appuyer de nouveau pour arrêter le lavage avant.
- **"flush" (chasse)** - Appuyer sur l'icône pour rincer la toilette.
- **"lighting" (éclairage)** - Appuyer sur l'icône pour éteindre la veilleuse. Appuyer de nouveau pour allumer la veilleuse.
- **Capteur d'éclairage faible** - Détecte les niveaux d'éclairage faible et allume la veilleuse.

Actionneur de chasse double

- L'actionneur de chasse double permet une chasse sans contact avec un choix de chasse complète ou réduite.
- **Grand bouton** - Pour une chasse complète sans contact, tenir la main devant le grand bouton pour 1,6 gpf (6,1 lpf). Pour une chasse manuelle, appuyer sur le bouton.
- **Petit bouton** - Pour une chasse réduite sans contact, tenir la main devant le petit bouton pour 0,8 gpf (3 lpf). Pour une chasse manuelle, appuyer sur le bouton.



Télécommande – Configuration

REMARQUE: La télécommande doit être chargée pour fonctionner. L'icône "Stop" clignotera lorsque la télécommande doit être chargée.

Chargement de la télécommande

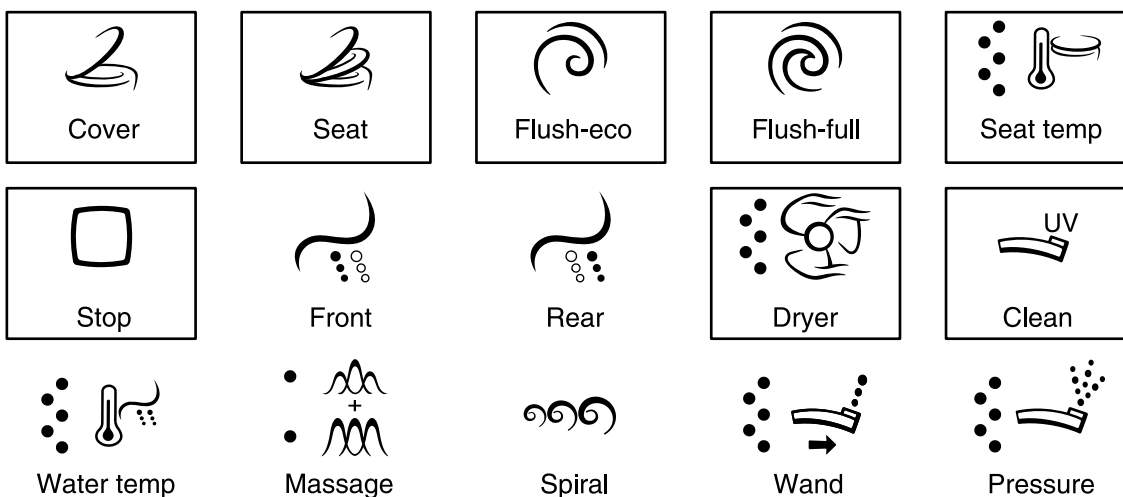
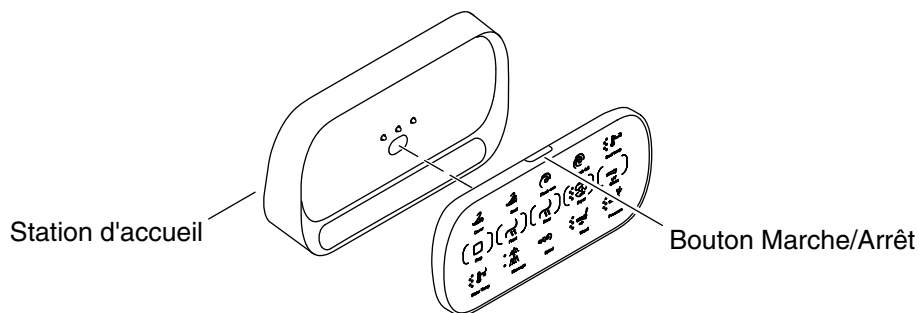
- Vérifier que des piles ont été installées dans la station d'accueil. Se référer à la section "Remplacer les piles".
- Placer la télécommande sur la station d'accueil.
- La télécommande est entièrement chargée lorsque l'icône "Stop" s'arrête de clignoter.

Appariement de la toilette

IMPORTANT! La télécommande ne peut pas être appariée à la toilette lorsque celle-ci est occupée.

REMARQUE: Les icônes qui se trouvent dans la rangée du bas de la télécommande clignoteront lorsque la télécommande n'est pas appariée ou si elle est hors de portée de la toilette.

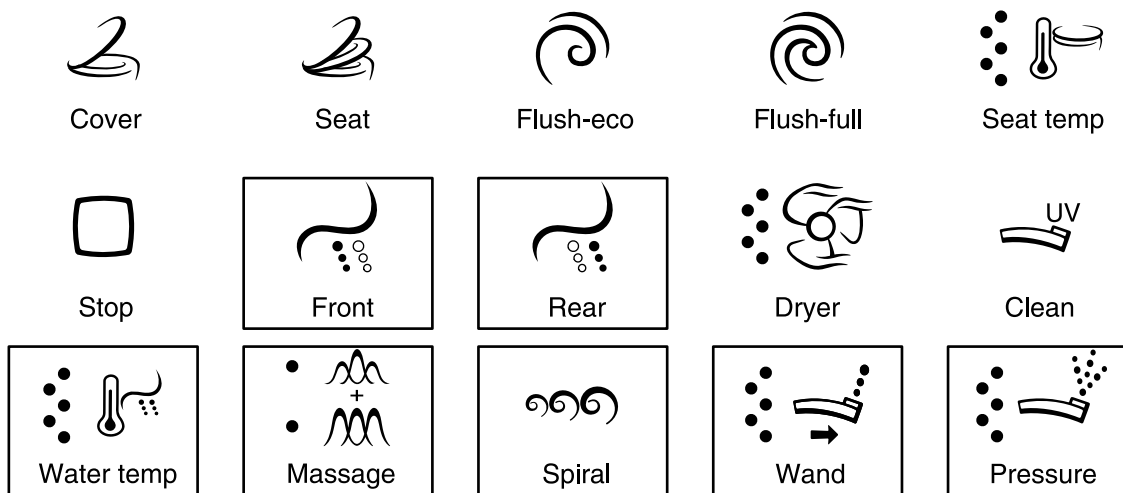
- Appuyer sur le bouton Marche/Arrêt pour activer la télécommande.
- Rapprocher la télécommande dans un rayon proche de la toilette. La rangée d'icônes inférieure devrait clignoter.
- Appuyer et continuer à appuyer sur l'icône "lighting" sur le panneau de commande latéral. Relâcher l'icône lorsque la veilleuse a clignoté trois fois.
- Appuyer et continuer à appuyer sur l'icône "Dryer" sur la télécommande.
- Tout en maintenant l'icône "Dryer" enfoncée sur la télécommande, appuyer simultanément et continuer à appuyer sur les icônes "rear" et "front" sur le panneau de commande latéral.
- Lorsque l'appariement est réussi, les icônes du bas s'arrêtent de clignoter.



Télécommande – Fonctions générales

IMPORTANT! La télécommande doit être appariée avec la toilette pour que les fonctions puissent être activées à l'aide de la télécommande. Se référer à la section "Télécommande – Configuration".

- **Marche/Arrêt** - Appuyer sur le bouton Marche/Arrêt pour activer ou désactiver la télécommande.
- **Couvercle de siège** - Avec le siège non occupé, Appuyer sur l'icône "**Cover**" pour ouvrir ou fermer le couvercle.
- **Siège** - Avec le siège non occupé, appuyer sur l'icône "**Seat**" pour ouvrir ou fermer le siège.
- **Chasse Éco** - Appuyer sur l'icône "**Flush-eco**" pour rincer la toilette avec 0,8 gpf (3 lpf).
- **Chasse complète**- Appuyer sur l'icône "**Flush-full**" pour rincer la toilette avec 1,6 gpf (6 lpf).
- **Température de siège chauffé** - Tout en étant assis, appuyer sur l'icône "**Seat temp**", puis appuyer de nouveau pour augmenter ou diminuer la température. Les points situés à gauche de l'icône indiquent le réglage de la température. Cinq réglages sont possibles.
- **Arrêt** - Appuyer sur l'icône "**Stop**" pour arrêter le lavage et nettoyage, le séchoir, le désodorisant et la stérilisation par UV. Appuyer et continuer à appuyer pour éteindre la télécommande.
- **Séchoir** - Tout en étant assis, appuyer sur l'icône "**Dryer**" pour activer le débit d'air. Appuyer de nouveau pour augmenter ou diminuer le débit d'air.
- **Désinfection par UV** - Avec le siège non occupé, appuyer sur l'icône "**Clean**" pour lancer la désinfection de la bague. La fonction est activée lorsque l'icône clignote.

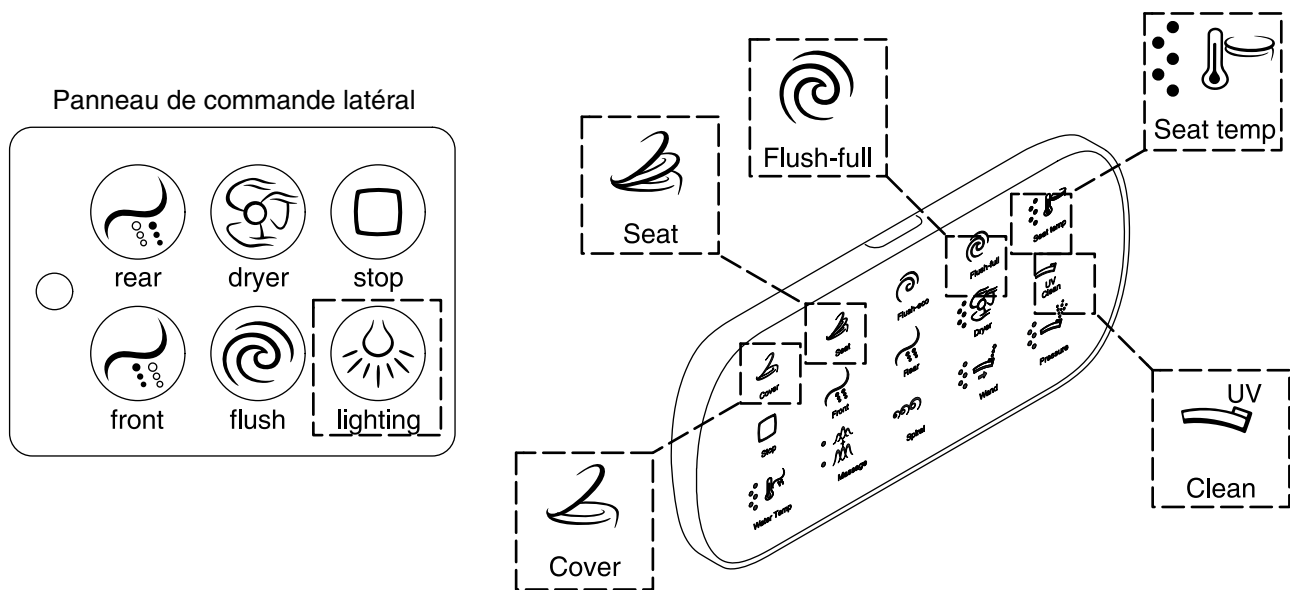


Télécommande – Fonctions de nettoyage

IMPORTANT! La télécommande doit être appariée avec la toilette pour que les fonctions puissent être activées à l'aide de la télécommande. Se référer à la section "Télécommande – Configuration".

REMARQUE: La température de l'eau, la pression de l'eau, la position de la baguette, et l'action de massage sont réglables pendant que le lavage avant ou arrière est en cours d'utilisation. Les points situés à gauche des icônes indiquent le réglage actuel.

- **Lavage avant** - Appuyer sur l'icône "**Front**" pour activer la vaporisation d'eau à partir de l'avant de la baguette. Le lavage s'arrête automatiquement au bout de 5 minutes, ou il peut être arrêté en appuyant sur l'icône "**Arrêt**".
- **Lavage arrière** - Appuyer sur l'icône "**Rear**" pour activer la vaporisation d'eau à partir de l'arrière de la baguette. Le lavage s'arrête automatiquement au bout de 5 minutes, ou il peut être arrêté en appuyant sur l'icône "**Arrêt**".
- **Température de l'eau** - Appuyer sur l'icône "**Water temp**", puis appuyer de nouveau pour augmenter ou diminuer la température au moyen de cinq réglages.
- **Massage** - Appuyer sur l'icône "**Massage**" pour activer l'action d'oscillation. Appuyer de nouveau pour passer à une action de pulsation. Appuyer une troisième fois pour obtenir des actions simultanées d'oscillation et de pulsation. Appuyer sur l'icône une quatrième fois pour arrêter l'action.
- **Spiral** - Appuyer sur l'icône "**Spiral**" pour activer l'action de spirale. Cette fonction est seulement disponible pendant que le lavage arrière est en cours d'utilisation. Appuyer de nouveau sur l'icône pour arrêter l'action.
- **Position de la baguette** - Appuyer sur l'icône "**Wand**", puis appuyer de nouveau pour ajuster la position de la baguette au moyen de cinq réglages.
- **Pression de l'eau** - Appuyer sur l'icône "**Pressure**", puis appuyer de nouveau pour augmenter ou diminuer la pression de l'eau au moyen de cinq réglages.



Fonctions d'activation/de désactivation automatiques

REMARQUE: Les fonctions automatiques sont activées au départ d'usine.

Ouverture/Fermeture de couvercle

- Si cette fonction est activée, le couvercle du siège s'ouvre automatiquement lorsque l'on s'approche de la toilette. Le siège et le couvercle de siège se ferment automatiquement 3 minutes après utilisation de la toilette.
- Appuyer et continuer à appuyer sur l'icône "**lighting**" sur le panneau de commande latéral jusqu'à ce que la veilleuse clignote trois fois.
- Appuyer sur l'icône "**Cover**" de la télécommande. La veilleuse clignote une fois rapidement lorsque le capteur est configuré pour une distance courte; il clignote deux fois rapidement pour une mi-distance, et trois fois rapidement pour une longue distance.
- La veilleuse clignote lentement lorsque la fonction est désactivée.

Désodorisant

- Lorsqu'il est activé, le désodorisant est activé alors que la toilette est en cours d'utilisation.
- Appuyer et continuer à appuyer sur l'icône "**lighting**" sur le panneau de commande latéral jusqu'à ce que la veilleuse clignote trois fois.
- Appuyer sur l'icône "**Seat**" de la télécommande.
- La veilleuse clignote une fois rapidement lorsque la fonction est activée, ou elle clignote lentement lorsque la fonction est désactivée.

Chasse automatique

- Lorsque cette fonction est activée, la chasse de la toilette est passée automatiquement 60 secondes après que l'utilisateur se soit levé, abaisse le siège, ou quitte la zone.
- Appuyer et continuer à appuyer sur l'icône "**lighting**" sur le panneau de commande latéral jusqu'à ce que la veilleuse clignote trois fois.
- Appuyer sur l'icône "**Flush-full**" de la télécommande.

Fonctions d'activation/de désactivation automatiques (cont.)

- La veilleuse clignote une fois rapidement lorsque la fonction est activée, ou elle clignote lentement lorsque la fonction est désactivée.

Mode d'économie d'énergie

- Lorsque ce mode est activé, la toilette conserve de l'énergie en réduisant la température du siège chauffé lorsque la toilette n'est pas utilisée.
- Appuyer et continuer à appuyer sur l'icône "lighting" sur le panneau de commande latéral jusqu'à ce que la veilleuse clignote trois fois.
- Appuyer sur l'icône "Seat temp" de la télécommande.
- La veilleuse clignote une fois rapidement lorsque la fonction est activée, ou elle clignote lentement lorsque la fonction est désactivée.

Désinfection UV

- Lorsque cette fonction est activée, les rayons ultraviolets et l'eau stérilisent la baguette de vaporisation quotidiennement. Cette fonction fonctionne seulement lorsque le siège est fermé.
- Appuyer et continuer à appuyer sur l'icône "lighting" sur le panneau de commande latéral jusqu'à ce que la veilleuse clignote trois fois.
- Appuyer sur l'icône "UV" de la télécommande.
- La veilleuse clignote une fois rapidement lorsque la fonction est activée, ou elle clignote lentement lorsque la fonction est désactivée.

Entretien et nettoyage



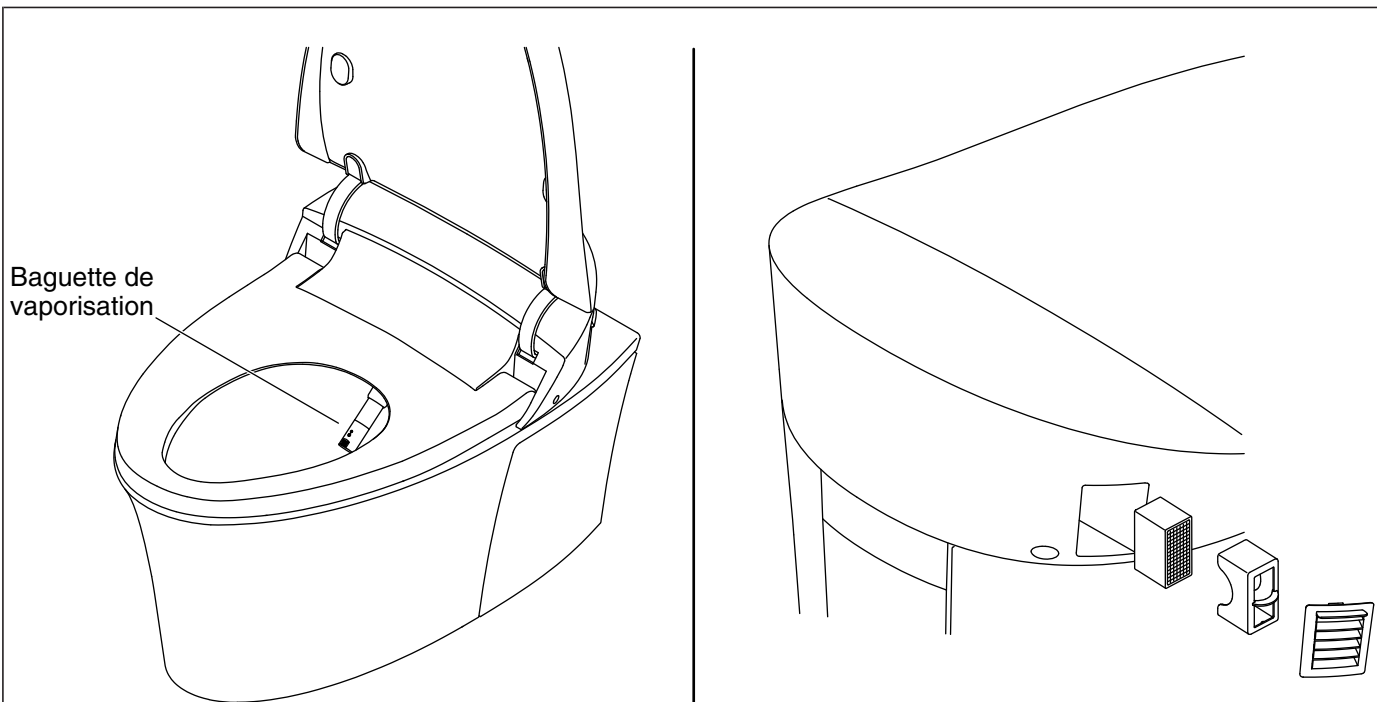
AVERTISSEMENT: Risque de dommages matériel ou d'endommagement du produit. Ne pas utiliser de détergents faits pour le réservoir dans la toilette. Les produits contenant du chlore (hypochlorite de calcium) peuvent sérieusement endommager les raccords du réservoir. Ceci peut créer des fuites et des dommages matériels.

La société Kohler Co. décline toute responsabilité et ne pourra être responsable pour des dommages de raccords de réservoir dus à l'utilisation de nettoyeurs contenant du chlore (hypochlorite de calcium).

Pour obtenir les meilleurs résultats possibles, prendre ce qui suit en considération lors de l'entretien de votre produit KOHLER:

- Toujours tester la solution de nettoyage sur une surface non visible avant de l'appliquer sur l'ensemble de la surface.
- Essuyer les surfaces et rincer complètement avec de l'eau immédiatement après l'application du nettoyeur. Rincer et sécher tout éclaboussement sur les surfaces avoisinantes.
- Ne pas laisser les nettoyeurs tremper sur les surfaces.
- Utiliser une éponge ou un chiffon doux et humide. Ne jamais utiliser de matériau abrasif tel qu'une brosse ou une éponge à récurer pour nettoyer les surfaces.
- **Pour la toilette Artist Edition:** Traiter le produit décoratif comme s'il s'agissait d'une porcelaine fine. NE PAS utiliser de brosses en soies ni d'éponges abrasives. Cela rayerait les surfaces décoratives. Utiliser uniquement de l'eau chaude pour le nettoyage. Sécher avec un chiffon en coton ou une éponge douce.

Pour obtenir des renseignements détaillés sur le nettoyage et les produits à considérer, consulter le site www.kohler.com/clean. Pour commander des renseignements sur & le nettoyage, appeler le 1-800-456-4537.



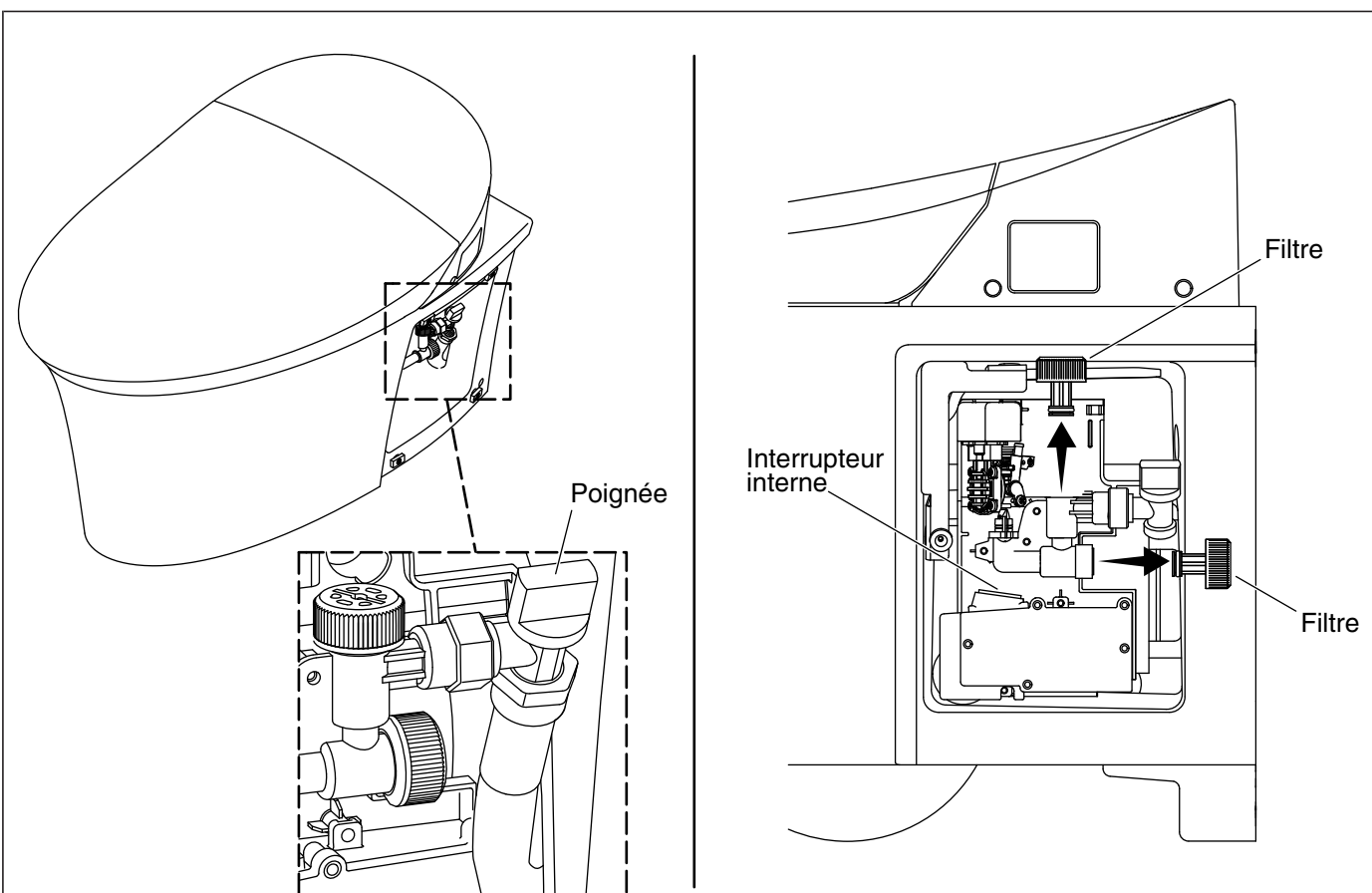
Entretien de la baguette et du désodorisant

Nettoyage de la baguette de vaporisation

- Sur la télécommande, appuyer et continuer à appuyer sur l'icône "Wand" pour prolonger la baguette vers l'avant.
- Nettoyer la baguette de vaporisation avec une brosse à poils doux et de l'eau chaude.
- Appuyer et continuer à appuyer sur l'icône "Wand" ou "Stop" pour rétracter la baguette.

Nettoyage ou remplacement du désodorisant

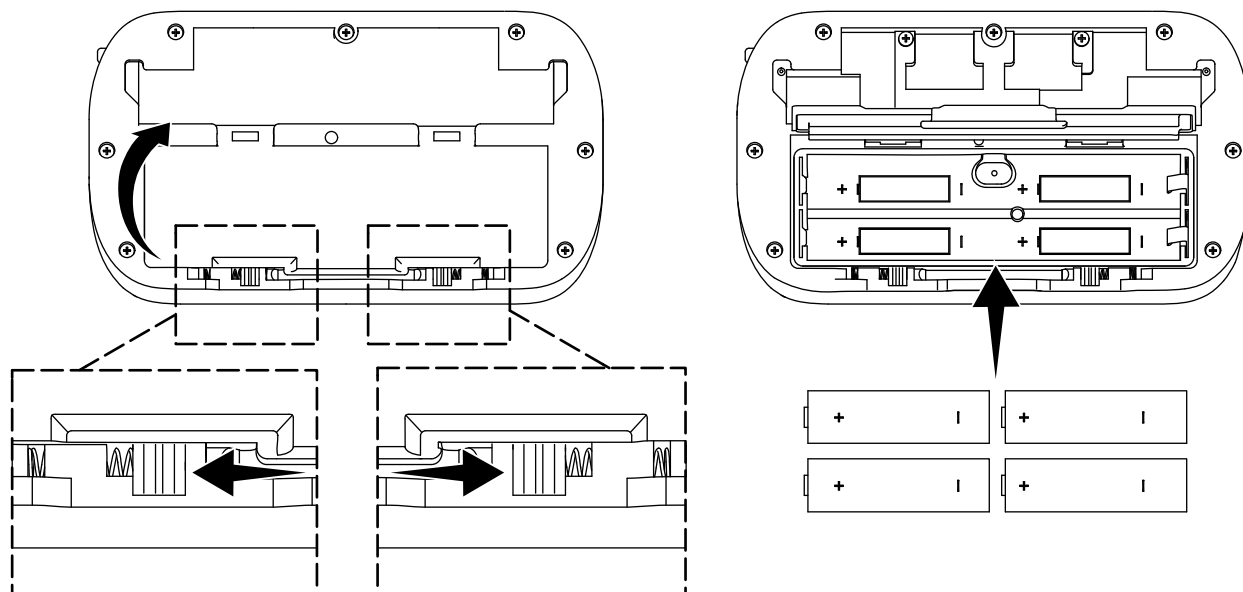
- Retirer le couvercle du filtre.
- Retirer le filtre de son boîtier et inspecter celui-ci pour y rechercher des dommages.
- Si le filtre est endommagé, le remplacer.
- Si le filtre est obstrué, retirer tous les débris.
- Installer le filtre.
- Réinstaller le couvercle.



Entretien des filtres

- Retirer le panneau latéral droit.
- Couper l'alimentation électrique à la toilette en basculant l'interrupteur interne.
- Couper l'eau en tournant la poignée en position fermée.
- Retirer les filtres et les inspecter pour y rechercher des dommages.
- Si les filtres sont endommagés, les remplacer.
- Si les filtres sont obstrués, retirer tous les débris.
- Installer les filtres.
- Ouvrir l'eau en tournant la poignée en position ouverte.
- Mettre la toilette sous tension en basculant l'interrupteur interne.
- Réattacher le panneau latéral droit.

Arrière de la station d'accueil



Remplacement des piles

REMARQUE: Le voyant rouge de la station d'accueil clignotera lorsque les piles sont faibles. L'icône "Stop" de la télécommande clignotera lorsque sa charge est basse et si elle doit être retournée à la station d'accueil.

- Si la télécommande est sécurisée sur la station d'accueil, la retirer et la mettre de côté.
- Retirer la station d'accueil du mur en la levant avec précaution pour la faire sortir.
- Ouvrir le compartiment arrière sur la station d'accueil en poussant les deux pattes vers l'extérieur en même temps.
- Installer quatre piles AA dirigées comme sur l'illustration dans le compartiment à piles.
- Réinstaller le couvercle.
- Réinstaller la station d'accueil sur le mur.

Dépannage

REMARQUE: Pour tout renseignement sur les pièces de rechange, visiter la page du produit sur le site www.kohler.com/serviceparts.

Petits enfants

- Les fonctions de chasse et de nettoyage automatiques sont activées par un capteur situé sous le siège. Les petits enfants pourraient ne pas être assez grands pour être détectés par le capteur.

Généralités

Symptômes	Causes probables	Action recommandée
1. La toilette n'a pas d'alimentation électrique.	A. L'alimentation n'est pas en marche.	A. Basculer l'interrupteur sur le boîtier de jonction à l'arrière du panneau latéral droit.
	B. L'alimentation électrique n'est pas connectée.	B. Vérifier la connexion électrique à l'intérieur du boîtier de jonction.
2. La toilette est alimentée, mais elle ne répond pas.	A. Il n'y a pas de débit d'eau vers la toilette.	A. Ouvrir complètement le robinet d'arrêt d'alimentation en eau.

Dépannage (cont.)		
Généralités		
Symptômes	Causes probables	Action recommandée
3. L'eau ne sort pas de la baguette ou le jet est faible lorsqu'il est activé.	A. Le robinet d'arrêt d'alimentation en eau est fermé ou est seulement ouvert partiellement.	A. Ouvrir complètement le robinet d'arrêt d'alimentation en eau.
	B. Le tuyau d'arrivée en provenance du robinet d'arrêt d'alimentation en eau vers la toilette est déformé ou enroulé de manière trop serrée.	B. Supprimer la déformation dans le tuyau ou élargir la boucle.
	C. Le capteur ne détecte pas l'utilisateur.	C. Les petits enfants pourraient ne pas être détectés. Régler la position assise. Le capteur pourrait avoir du mal avec le tissu ou d'autres objets. Le capteur est conçu pour détecter la peau.
	D. Les fils sont bloqués ou endommagés.	D. Entretenir les filtres. Se référer à la section "Entretien des filtres".
4. Le siège chauffé ne fonctionne pas.	A. Le siège chauffé n'est pas activé.	A. Activer le siège chauffé. Se référer à la section "Activer/Désactiver les fonctions automatiques".
	B. Le réglage de la température est trop bas.	B. Régler la température du siège chauffé en utilisant la télécommande.
5. L'eau s'arrête de s'écouler de la baguette de vaporisation avant que le nettoyage soit terminé.	A. Le lavage s'arrête automatiquement 5 minutes après un appui sur une icône de vaporisation.	A. Appuyer sur l'icône "Front" ou "Rear" pour redémarrer le nettoyage.
6. Le désodorisant ne fonctionne pas.	A. Le désodorisant n'est pas activé.	A. Activer le désodorisant en utilisant la télécommande.
7. La fonction de désinfection UV ne fonctionne pas.	A. La fonction de désinfection UV n'est pas activée.	A. Activer la désinfection UV. Se référer à la section "Activer/Désactiver les fonctions automatiques".
8. La toilette ne se rince pas automatiquement.	A. La fonction de chasse automatique n'est pas activée.	A. Activer la chasse automatique. Se référer à la section "Activer/Désactiver les fonctions automatiques".
	B. Le capteur ne détecte pas l'utilisateur.	B. Si ce problème se reproduit de manière répétitive, appeler le centre de services à la clientèle en utilisant les renseignements fournis sur la page arrière de ce manuel.
9. La veilleuse ne s'allume pas dans des conditions d'éclairage faible.	A. La veilleuse n'est pas activée.	A. Appuyer sur l'icône "lightning" sur le panneau de commande latéral.
	B. Le capteur d'éclairage faible ne fonctionne pas.	B1. Nettoyer le capteur d'éclairage situé sur le panneau de commande latéral.
		B2. Appeler le service après-vente en utilisant les renseignements fournis sur la page arrière de ce manuel.
Télécommande		
Symptômes	Causes probables	Action recommandée
1. La télécommande ne se met pas en marche.	A. Les piles ne sont pas installées correctement.	A. Remplacer les piles. Se référer à la section "Remplacer les piles".
	B. Les piles sont épuisées.	B. Remplacer les piles. Se référer à la section "Remplacer les piles".

Dépannage (cont.)

Télécommande

Symptômes	Causes probables	Action recommandée
2. La télécommande ne se connecte pas à la toilette.	A. La télécommande est trop éloignée de la toilette pour recevoir un signal.	A. Amener la télécommande plus près de la toilette pour regagner la connexion.
	A. La télécommande n'est pas appariée avec la toilette.	B. Appairer la télécommande à la toilette. Se référer à la section "Télécommande – Configuration".

Conformité de la télécommande

ID FCC: N82-KOHLER015, N82-KOHLER018

IFT: Numéro de certification RCPKO1215-2233 et RCPKO1215-2234.

Cet appareil est conforme à la section 15 des réglementations de la FCC. Le fonctionnement de l'appareil est soumis aux deux conditions suivantes:

1. Cet appareil ne doit pas provoquer d'interférences néfastes, et
2. Cet appareil doit tolérer les interférences reçues, y compris celles qui risquent de provoquer un fonctionnement indésirable.

Tous changements ou modifications non expressément approuvés par la partie responsable garantissant la conformité, pourraient annuler le droit à l'utilisateur d'opérer l'équipement.

Cet appareil a été testé et est considéré conforme aux limitations d'un appareil numérique de classe B, selon la section 15 des réglementations FCC. Ces limites sont conçues pour fournir une protection raisonnable contre toute interférence nuisible lors d'une installation résidentielle. Cet appareil génère, utilise et peut émettre une énergie de radiofréquence et, s'il n'est pas installé et utilisé conformément aux instructions, pourrait être la cause d'interférences nuisibles aux communications par radio. Cependant, il n'est pas garanti qu'aucune interférence n'aura lieu dans une installation particulière. Si cet équipement cause des interférences radio nuisibles à la réception de radio ou de télévision, ce qui peut être déterminé en éteignant l'équipement et en le rallumant, l'utilisateur est encouragé à essayer de rectifier cette interférence par l'un des moyens suivants:

- Réorienter ou changer l'emplacement de l'antenne de réception.
- Augmenter la séparation entre l'équipement et le récepteur.
- Brancher l'équipement sur une prise d'un circuit différent de celui auquel le récepteur est connecté.
- Consulter un revendeur ou un technicien radio/TV expérimenté pour obtenir de l'assistance.

Avertissement d'exposition RF

Cet émetteur et son antenne sont conformes aux limites d'exposition RF de la FCC pour le public général/l'exposition non contrôlée.

Cet appareil ne doit pas être co-localisé ou opéré avec toute autre antenne ou tout autre émetteur.

Ce dispositif doit être utilisé avec une distance minimum de 20 cm au moins entre l'antenne et le corps d'une personne.

CANADA IC: 4554A-KOHLER015, 4554A-KOHLER018

Le présent appareil est conforme aux CNR d'Industrie Canada applicables aux appareils radio exempts de licence.

Le fonctionnement de l'appareil est soumis aux deux conditions suivantes:

1. L'appareil ne doit pas produire de brouillage, et
2. Cet appareil doit tolérer les interférences reçues, y compris celles qui risquent de provoquer un fonctionnement indésirable.

Conformité de la télécommande (cont.)

Cet émetteur et son antenne sont conformes aux limites d'exposition RF d'Industrie Canada pour le public général/l'exposition non contrôlée.

Cet appareillage numérique de classe B est conforme à la norme canadienne NMB-003.

Garantie

Garantie limitée de trois ans de la toilette intelligente et du siège de nettoyage C3 de KOHLER

Kohler Co. garantit que ses toilettes dotées de la fonctionnalité de nettoyage intégrée ("Toilettes intelligentes") et les sièges de nettoyage électriques contre tout vice de matériau et de fabrication lors d'une utilisation domestique normale, pendant trois ans à partir de la date d'installation du produit. La présente garantie s'applique uniquement aux toilettes intelligentes et aux sièges de nettoyage électriques installés aux États-Unis d'Amérique, au Canada et au Mexique ("Amérique du Nord").

En cas de défectuosité lors d'une utilisation domestique normale, Kohler Co. choisira, à son gré, la réparation, le remplacement de la pièce ou du produit, ou la rectification appropriée, dans les cas où l'inspection de Kohler révélerait une telle défectuosité. Aucun dommage causé par un accident, une mauvaise utilisation ou un mauvais traitement n'est couvert par la présente garantie. Un entretien et un nettoyage inadéquats annulent la garantie*. Une preuve d'achat (ticket de caisse d'origine) doit être présentée à Kohler Co. avec toutes les réclamations au titre de la garantie. Kohler Co. n'est pas responsable des frais de main-d'œuvre, d'installation ou de tout autre frais particulier accessoire ou indirect que ceux susmentionnés. La responsabilité de Kohler Co. ne dépassera en aucun cas le prix d'achat de la toilette intelligente ou du siège de nettoyage électrique.

Si les toilettes intelligentes ou les sièges de nettoyage électrique sont utilisés dans un commerce ou si ces articles sont installés hors de l'Amérique du Nord, Kohler Co. garantit la toilette intelligente ou le siège de nettoyage électrique contre tout vice de matériau et de fabrication pendant un (1) an à partir de la date d'installation dudit produit, et toutes les autres modalités de la présente garantie s'appliquent à l'exception de sa durée.

Pour toute réclamation au titre de la présente garantie, contacter le vendeur, plombier, centre de rénovation ou revendeur par internet. Fournir tous les renseignements pertinents à la réclamation, dont notamment une description complète du problème et du produit, le numéro de modèle, la date et le lieu d'achat du produit, ainsi que la date de son installation. Joindre également l'original de la facture. Pour de plus amples renseignements ou pour obtenir les coordonnées du service de réparation le plus proche, écrire à Kohler Co., Attn: Customer Care Center, Kohler, Wisconsin 53044, USA, ou appeler le 1-800-4-KOHLER (1-800-456-4537) à partir des É.-U. et du Canada, et le 001-800-456-4537 à partir du Mexique, ou consulter le site www.kohler.com aux É.-U., www.ca.kohler.com à partir du Canada, ou www.mx.kohler.com au Mexique.

LES GARANTIES SUSMENTIONNÉES SONT FOURNIES AU LIEU ET PLACE DE TOUTES AUTRES GARANTIES, EXPRESSES OU TACITES, Y COMPRIS LES GARANTIES TACITES DE COMMERCIALITÉ ET D'ADAPTATION À UN USAGE PARTICULIER. KOHLER CO. ET/OU LE REVENDEUR DÉCLINENT TOUTE RESPONSABILITÉ CONTRE LES DOMMAGES PARTICULIERS, ACCESSOIRES OU INDIRECTS.

Certains états et provinces ne permettent pas de limite sur la durée de la garantie tacite, ni l'exclusion ou la limite des dommages, et, par conséquent, lesdites limites et exclusions peuvent ne pas s'appliquer à votre cas. La présente garantie accorde au consommateur des droits juridiques particuliers. Vous pouvez également avoir d'autres droits qui varient d'un état ou d'une province à l'autre. La présente garantie est accordée uniquement à l'acquéreur d'origine et exclut tous dommages dus à une mauvaise installation, un usage abusif ou une mauvaise utilisation du produit, qu'ils soient effectués par un entrepreneur, une société de services ou le consommateur.

Ceci constitue la garantie écrite exclusive de Kohler Co.

*Ne jamais utiliser de nettoyeurs contenant des agents abrasifs, de l'ammoniaque, de l'eau de Javel, des acides, des cires, de l'alcool, des dissolvants ou autres produits non recommandés pour l'acier inoxydable ou le plastique polypropylène. Ceci annulera la garantie.

Guía del propietario

Inodoro de montaje a la pared con asiento de limpieza

Advertencias importantes de seguridad

Al emplear productos eléctricos, en especial cuando haya niños presentes, siempre cumpla las precauciones básicas de seguridad, incluidas las siguientes:

LEA TODAS LAS INSTRUCCIONES ANTES DE USAR



PELIGRO: Riesgo de sacudidas eléctricas. Conecte solo a un circuito protegido por un interruptor de circuito con pérdida a tierra (GFCI)*.



ADVERTENCIA: Riesgo de lesiones personales. Los rayos UV emitidos por esta luz puede causar lesiones a la piel o a los ojos. Evite quedar expuesto a la lámpara al descubierto.



ADVERTENCIA: Riesgo de lesiones personales. Solamente personal capacitado de servicio debe cambiar la lámpara UV.



PRECAUCIÓN: Riesgo de lesiones personales. No retire la cubierta protectora de la lámpara UV. Ver la luz UV directamente puede ocasionar daños a los ojos.

Para el personal de servicio:



ADVERTENCIA: Riesgo de sacudidas eléctricas. Desconecte el suministro eléctrico antes de dar servicio.



ADVERTENCIA: Riesgo de lesiones personales. Esta cubierta de lámpara UV tiene un seguro de bloqueo diseñado para reducir el riesgo de recibir excesiva radiación ultravioleta. No evite el seguro de bloqueo. Vuelva a instalar el seguro de bloqueo después de dar servicio.

*Fuera de Estados Unidos, es posible que este dispositivo se conozca como dispositivo de corriente residual (RCD, por sus siglas en inglés).



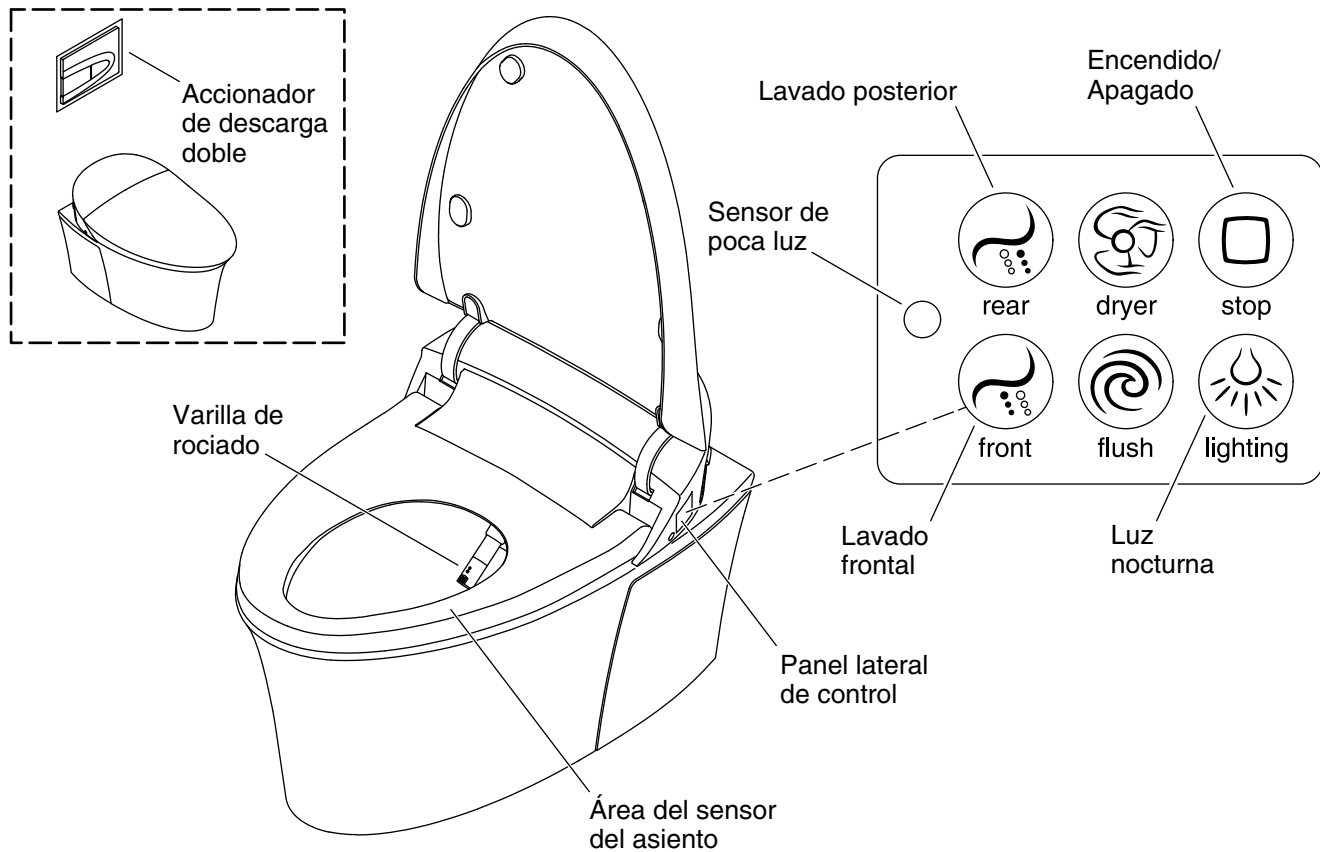
ADVERTENCIA: Para reducir el riesgo de quemaduras, electrocución, incendio o lesiones personales:

- Es necesario que haya supervisión cuando este producto esté siendo usado cerca de niños, ancianos o inválidos, o por ellos mismos. Ajuste la temperatura del asiento para los ancianos, los discapacitados o las personas con piel sensible.
- Use este producto únicamente con el fin para el que ha sido fabricado, tal como se describe en este manual. No use equipos adicionales que no recomiende Kohler Co.
- No haga funcionar este producto si el enchufe o el cable están dañados, si el equipo no funciona adecuadamente, si se ha dejado caer o si ha sufrido daños, o si ha sido sumergido en agua. Devuelva el producto para que sea examinado y reparado.
- Mantenga el cable lejos de superficies calientes.
- Nunca bloquee las aberturas para aire del producto. Evite pelusa, cabello y similares en las aberturas para aire.
- Nunca utilice mientras duerma o esté adormilado.
- No deje caer ni introduzca objetos en ninguna abertura o manguera.

Advertencias importantes de seguridad (cont.)

- No lo utilice a la intemperie ni en lugares en los que se empleen aerosoles o en los que se administre oxígeno.
- Este producto debe conectarse a un sistema de cableado permanente, metálico, con conexión a tierra, o se debe tender un conductor de conexión a tierra de equipo con los conductores de circuito y conectarse al terminal o al cable conductor de tierra del equipo en el producto.
- Este producto cumple las estipulaciones de US 21 CFR, Capítulo 1, Subcapítulo J, Salud Radiológica.

GUARDE ESTAS INSTRUCCIONES



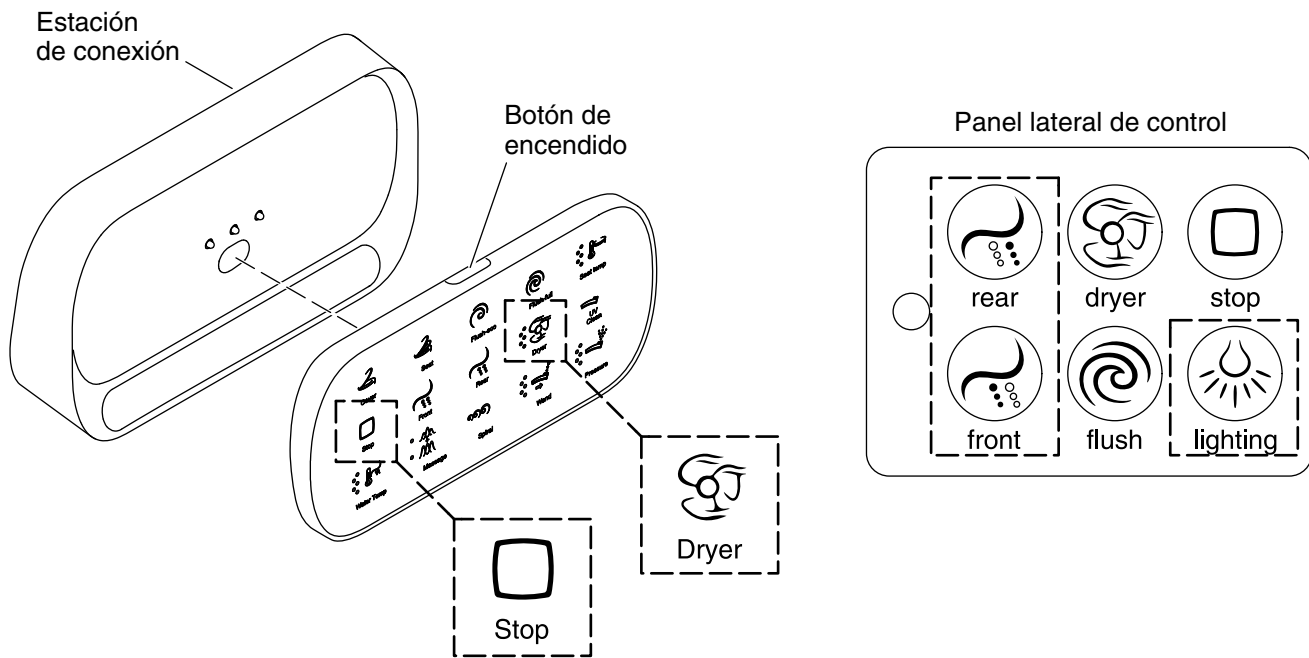
Funcionamiento manual

NOTA: Cuando se activan las funciones de limpieza por medio del panel lateral, quedan por diseño en las selecciones intermedias de temperatura, presión y posición de varilla.

- **"rear" (posterior)** - Oprima el icono para activar el lavado posterior. Oprímalo de nuevo para detener el lavado posterior.
- **"dryer" (secador)** - Oprima el icono para activar el secador. Oprímalo de nuevo para detener el secador.
- **"stop" (paro)** - Oprima el icono para detener una función que esté activada.
- **"front" (frontal)** - Oprima el icono para activar el lavado frontal. Oprímalo de nuevo para detener el lavado frontal.
- **"flush" (descarga)** - Oprima el icono para descargar el inodoro.
- **"lighting" (iluminación)** - Oprima el icono para apagar la luz nocturna. Oprima de nuevo para encender la luz nocturna.
- **Sensor de poca luz** - Detecta bajo nivel de luz y enciende la luz nocturna.

Accionador de descarga doble

- El accionador de descarga doble permite que el inodoro descargue manualmente o sin contacto, y con descarga completa o reducida.
- **Botón grande** - Para una descarga sin contacto completa, coloque la mano frente al botón grande para que fluyan 1,6 gal/descarga (6,1 l/descarga). Para una descarga manual, oprima el botón.
- **Botón pequeño** - Para una descarga sin contacto reducida, coloque la mano frente al botón pequeño para que fluyan 0,8 gal/descarga (3 l/descarga). Para una descarga manual, oprima el botón.



Configuración del control remoto

NOTA: El control remoto debe estar cargado para que pueda funcionar. El icono de paro, "Stop", parpadea cuando el control remoto debe ser cargado.

Carga del control remoto

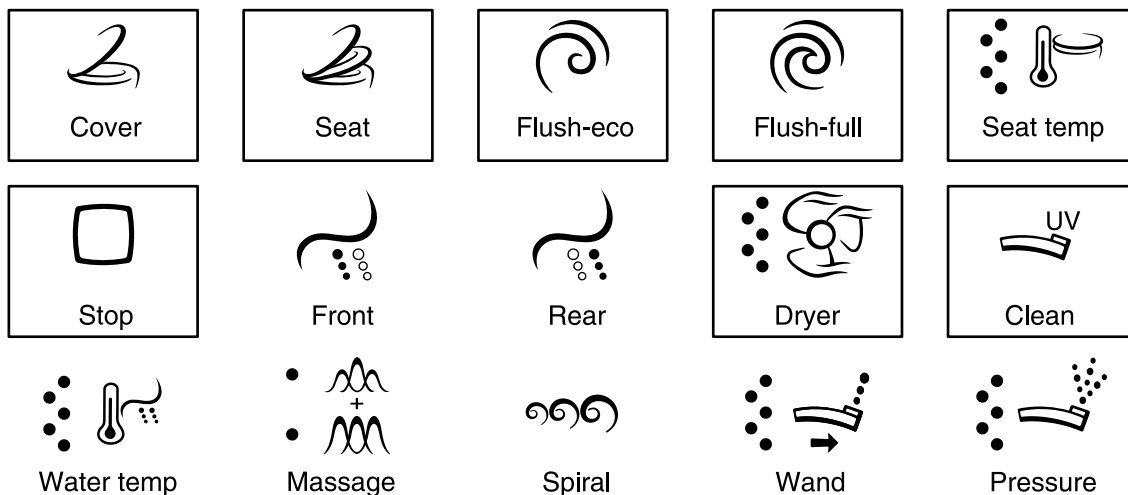
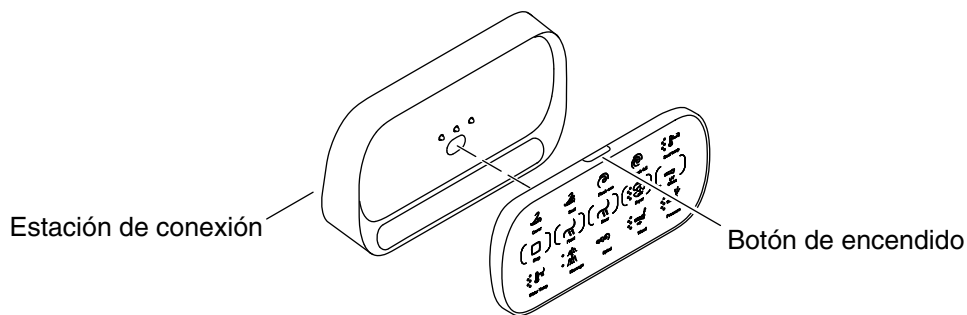
- Verifique que la estación de conexión tenga instaladas las pilas. Consulte la sección "Cambio de pilas".
- Coloque el control remoto en la estación de conexión.
- El control remoto está plenamente cargado cuando el icono de paro, "Stop", deja de parpadear.

Para vincular el inodoro

¡IMPORTANTE! No es posible vincular el control remoto al inodoro mientras el inodoro está ocupado.

NOTA: Los iconos en la hilera inferior del control remoto parpadean cuando el control remoto no está vinculado o cuando está lejos del inodoro.

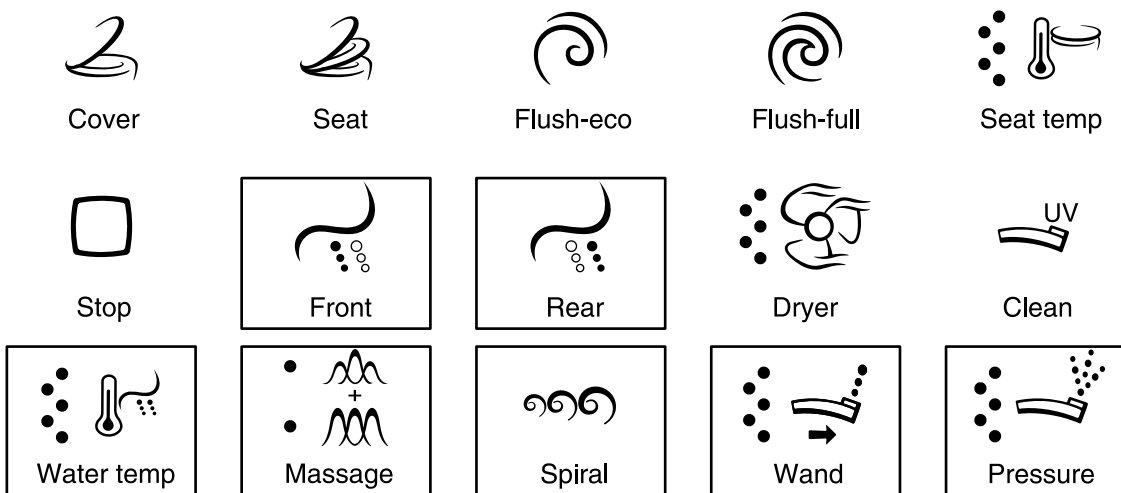
- Oprima el botón de encendido para encender el control remoto.
- Acerque bastante el control remoto al inodoro. La hilera inferior de iconos debe estar parpadeando.
- Oprima y sostenga oprimido el icono de iluminación, "lighting", en el panel lateral de control. Suelte el icono después de que la luz nocturna parpadee tres veces.
- Oprima y sostenga oprimido el icono del secador, "Dryer", en el control remoto.
- Mientras sostiene oprimido el icono del secador, "Dryer", en el control remoto, oprima y sostenga oprimido los iconos "rear" y "front" simultáneamente en el panel lateral de control.
- Cuando se tenga éxito al vincular, los iconos inferiores dejan de parpadear.



Características generales del control remoto

¡**IMPORTANTE!** Para activar funciones por medio del control remoto, este debe estar vinculado al inodoro. Consulte la sección "Configuración del control remoto".

- **Encendido** - Oprima el botón de encendido para encender y apagar el control remoto.
- **Tapa del asiento** - Cuando el asiento esté desocupado, oprima este icono de tapa, "Cover", para abrir o cerrar la tapa.
- **Asiento** - Cuando el asiento esté desocupado, oprima el icono de asiento, "Seat", para abrir o cerrar el asiento.
- **Descarga ecológica** - Oprima el icono de descarga ecológica, "Flush-eco", para descargar el inodoro con 0,8 galones/descarga (3 litros/descarga).
- **Descarga completa** - Oprima el icono de descarga completa, "Flush-full", para descargar el inodoro con 1,6 galones/descarga (6 litros/descarga).
- **Temperatura de la calefacción del asiento** - Estando sentado en el asiento, oprima el icono de temperatura del asiento, "Seat temp", y luego oprímalo de nuevo para aumentar o disminuir la temperatura. Los puntos a la izquierda del icono indican la selección de temperatura. Hay cinco selecciones.
- **Parar** - Oprima el icono de parar, "Stop", para detener la limpieza, el secado, el desodorizante y la esterilización con rayos ultravioleta. Oprímalo y sosténgalo oprimido para apagar el control remoto.
- **Secador** - Estando sentado en el asiento, oprima el icono de secado, "Dryer", para activar el flujo de aire. Oprímalo de nuevo para aumentar o disminuir el flujo de aire.
- **Desinfección UV** - Cuando el asiento esté desocupado, oprima el icono de lavado, "Clean", para iniciar la desinfección de la varilla. Esta función se activa cuando el icono está parpadeando.

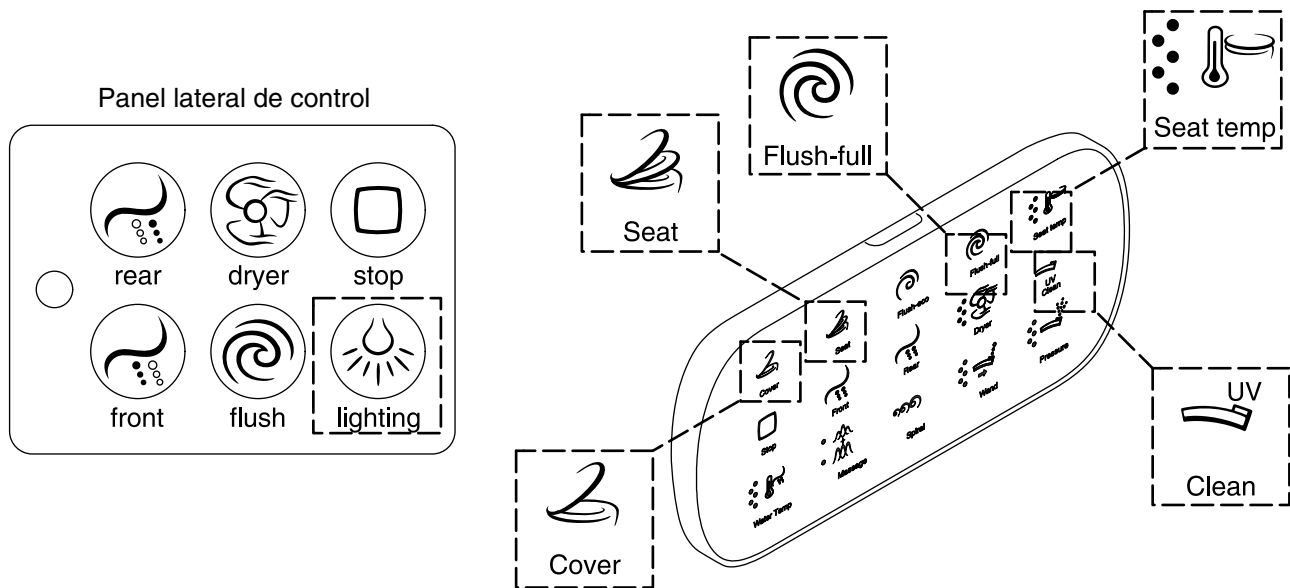


Funciones de limpieza del control remoto

¡**IMPORTANTE!** Para activar funciones por medio del control remoto, este debe estar vinculado al inodoro. Consulte la sección "Configuración del control remoto".

NOTA: La temperatura del agua, la presión del agua, la posición de la varilla, y el masaje son ajustables mientras el lavado posterior está en uso. Los puntos a la izquierda de los iconos indican la selección actual.

- **Lavado frontal** - Oprima el icono "Front" para activar el rocío de agua de la parte delantera de la varilla. El lavado se detiene automáticamente después de 5 minutos, o puede ser detenida al oprimir el icono de paro, "Stop".
- **Lavado posterior** - Oprima el icono "Rear" para activar el rocío de agua de la parte posterior de la varilla. El lavado se detiene automáticamente después de 5 minutos, o puede ser detenida al oprimir el icono de paro, "Stop".
- **Temperatura del agua** - Oprima el icono de temperatura del agua, "Water temp", y luego oprímalo de nuevo para aumentar o disminuir la temperatura a través de las cinco selecciones.
- **Masaje** - Oprima el icono de masaje, "Massage", para activar la oscilación. Oprímalo de nuevo para cambiar a la pulsación. Oprímalo por tercera vez para oscilar y pulsar simultáneamente. Oprímalo por cuarta vez para detener la función.
- **Espiral** - Oprima el icono de espiral, "Spiral", para activar la acción en espiral. Esta función solo está disponible cuando se está utilizando el lavado posterior. Oprima el icono de nuevo para detener la función.
- **Posición de la varilla** - Oprima el icono de varilla, "Wand", y luego oprímalo de nuevo para ajustar la posición de la varilla a través de las cinco selecciones.
- **Presión del agua** - Oprima el icono de presión, "Pressure", y luego oprímalo de nuevo para aumentar o disminuir la presión del agua a través de las cinco selecciones.



Habilitar/Inhabilitar funciones automáticas

NOTA: Las funciones automáticas vienen habilitadas de fábrica.

Abrir y cerrar la tapa

- Cuando esta función está habilitada, la tapa del asiento se abre en forma automática cuando alguien se acerca al inodoro. El asiento y la tapa del asiento se cierran automáticamente 3 minutos después de que se ha usado el inodoro.
- Oprima y sostenga oprimido el icono de iluminación, "lighting", en el panel lateral de control hasta que la luz nocturna parpadee tres veces.
- Oprima icono de tapa, "Cover" en el control remoto. La luz nocturna parpadea una vez rápidamente cuando el sensor se ajusta para una corta distancia, dos veces rápidamente para una distancia intermedia, y tres veces rápidamente para una distancia mayor.
- La luz nocturna parpadea lentamente cuando se desactiva la función de desodorizante.

Desodorizante

- Cuando esta función está habilitada, el desodorizante se activa automáticamente mientras el inodoro está en uso.
- Oprima y sostenga oprimido el icono de iluminación, "lighting", en el panel lateral de control hasta que la luz nocturna parpadee tres veces.
- Oprima icono del asiento, "Seat" en el control remoto.
- La luz nocturna parpadea una vez rápidamente cuando la función está habilitada, o lentamente cuando está inhabilitada.

Descarga automática

- Cuando esta función está habilitada, el inodoro descarga automáticamente 60 segundos después de que el usuario se levanta, baja el asiento o se aleja del área.
- Oprima y sostenga oprimido el icono de iluminación, "lighting", en el panel lateral de control hasta que la luz nocturna parpadee tres veces.
- Oprima el botón de descarga completa, "Flush-full" en el control remoto.

Habilitar/Inhabilitar funciones automáticas (cont.)

- La luz nocturna parpadea una vez rápidamente cuando la función está habilitada, o lentamente cuando está inhabilitada.

Modo de ahorro de energía

- Cuando esta función está habilitada, el inodoro conserva energía al reducir la temperatura del asiento cuando el inodoro no está en uso.
- Oprima y sostenga oprimido el icono de iluminación, "lighting", en el panel lateral de control hasta que la luz nocturna parpadee tres veces.
- Oprima icono de temperatura del asiento, "Seat temp" en el control remoto.
- La luz nocturna parpadea una vez rápidamente cuando la función está habilitada, o lentamente cuando está inhabilitada.

Desinfección UV

- Cuando esta función está habilitada, rayos ultravioleta y agua esterilizan la varilla de rociado diariamente. Esta función solo opera cuando el asiento está cerrado.
- Oprima y sostenga oprimido el icono de iluminación, "lighting", en el panel lateral de control hasta que la luz nocturna parpadee tres veces.
- Oprima icono de rayos ultravioleta, "UV" en el control remoto.
- La luz nocturna parpadea una vez rápidamente cuando la función está habilitada, o lentamente cuando está inhabilitada.

Cuidado y limpieza




ADVERTENCIA: Riesgo de daños al producto o a la propiedad. No utilice productos para limpiar el inodoro que se colocan dentro del tanque. Los productos que contienen cloro (hipoclorito de calcio) pueden dañar las piezas del tanque. Esto puede causar fugas y daños a la propiedad.

Kohler Co. no se hará responsable de daños a las conexiones del tanque causados por el uso de limpiadores que contengan cloro (hipoclorito de calcio).

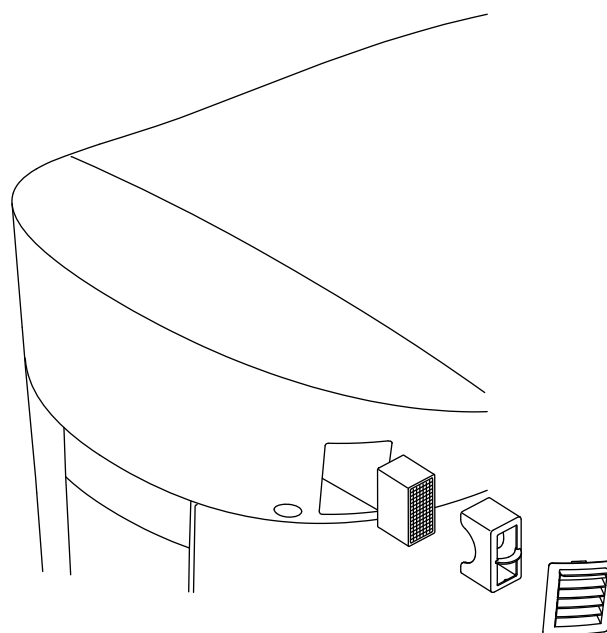
Para obtener los mejores resultados, tenga presente lo siguiente al limpiar su producto KOHLER:

- Siempre pruebe la solución de limpieza en un área oculta antes de aplicarla a toda la superficie.
- Limpie con un paño las superficies, y enjuague completa e inmediatamente con agua después de haber aplicado algún limpiador. Enjuague y seque las superficies cercanas que hayan recibido salpicaduras.
- No deje mucho tiempo los limpiadores en las superficies.
- Utilice una esponja humedecida o un paño suave y húmedo. Para limpiar las superficies nunca utilice materiales abrasivos, como cepillos o estropajos de tallar.
- **Para los inodoros Artist Edition:** Cuide su producto decorativo tal como lo haría con su porcelana más fina. NO utilice cepillos de cerdas o esponjas con un lado abrasivo. Podrían rayar las superficies decoradas. Limpie estos acabados solamente con agua tibia. Seque con un trapo de algodón o con una esponja suave.

Para obtener información detallada de limpieza y de productos a considerar, visite www.kohler.com/clean. Para solicitar información sobre el cuidado y la limpieza, llame al 1-800-456-4537.



Varilla de rociado



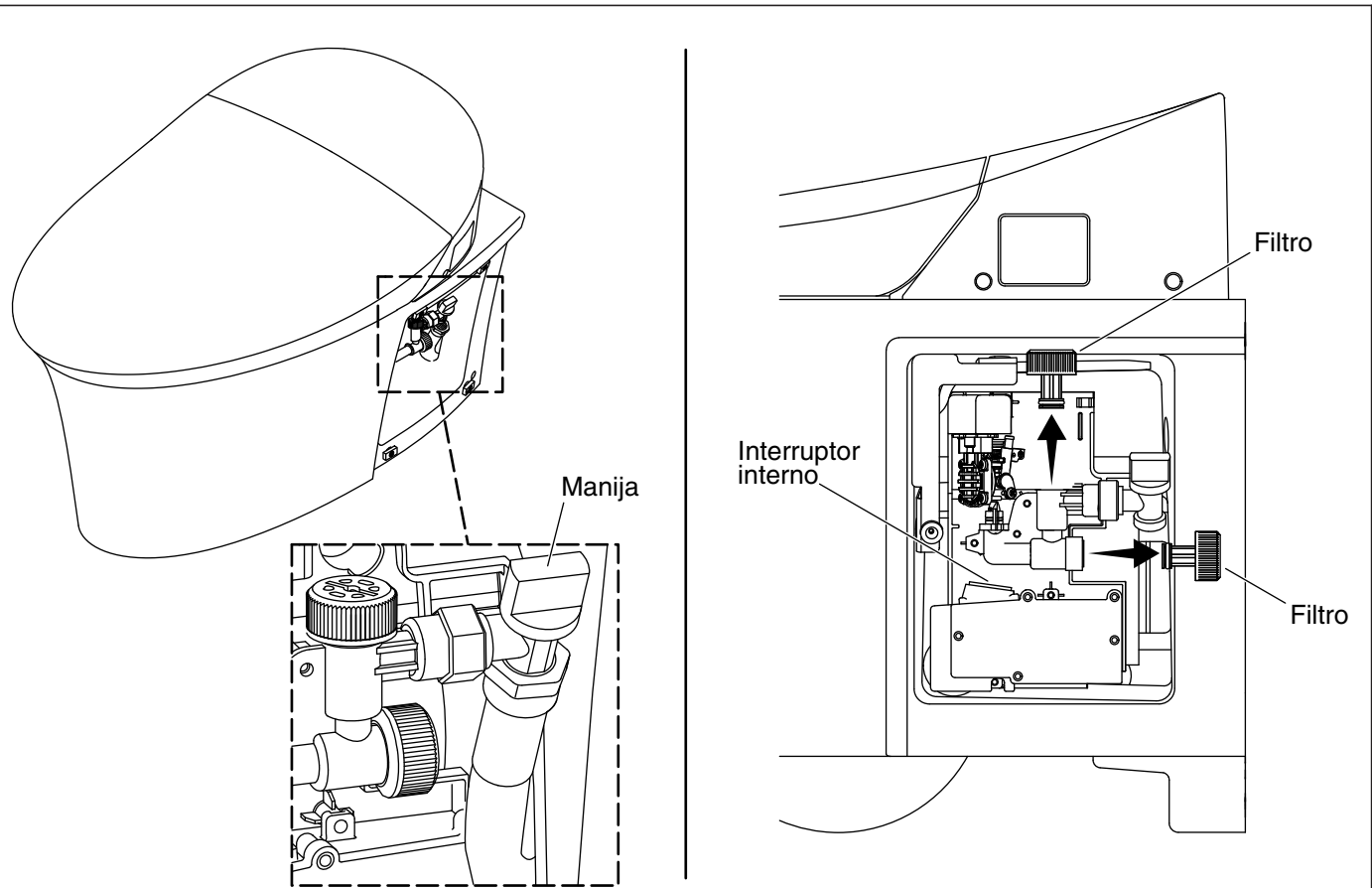
Servicio a la varilla y al desodorizante

Limpeza de la varilla de rociado

- En el control remoto, oprima y sostenga oprimido el icono de varilla "Wand" para extender la varilla hacia adelante.
- Limpie la varilla de rociado con un cepillo de cerdas suaves y agua caliente.
- Oprima y sostenga oprimido el icono de varilla "Wand" o el de parar "Stop" para retraer la varilla.

Limpeza o cambio del desodorizante

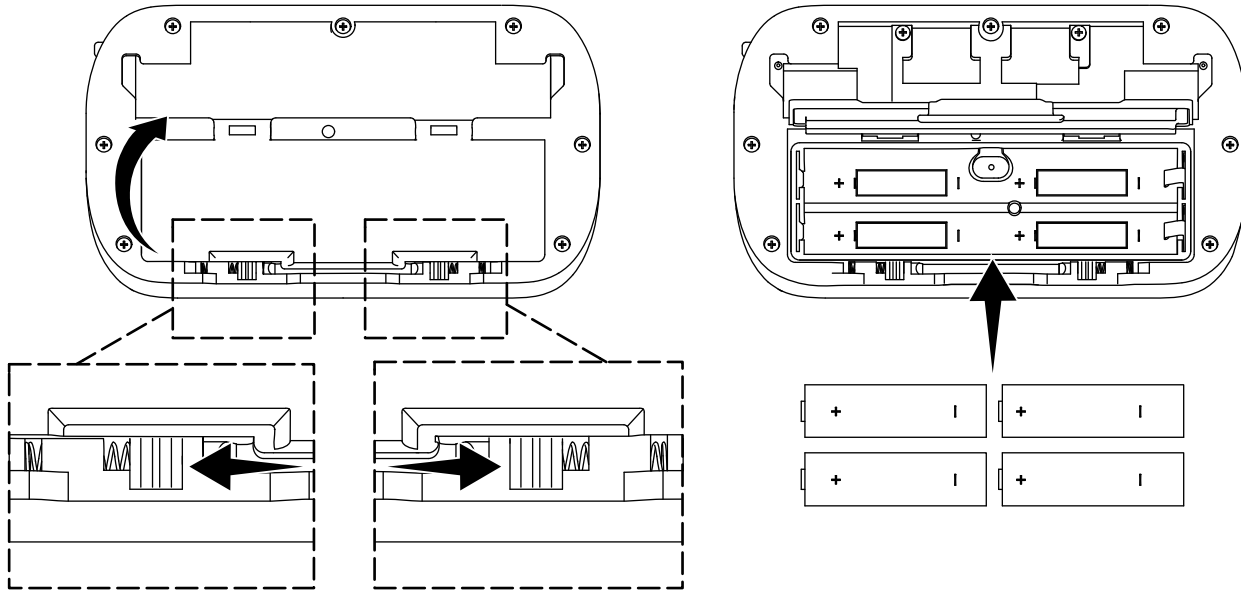
- Retire la tapa del filtro.
- Retire el filtro de su alojamiento y revise que no esté dañado.
- Si el filtro está dañado, cámbielo.
- Si el filtro está tapado, retire todos los desperdicios.
- Instale el filtro.
- Vuelva a instalar la cubierta.



Dé servicio a los filtros

- Retire el panel lateral derecho.
- Cambie de posición el interruptor interno para apagar el suministro eléctrico al inodoro.
- Gire la manija a la posición cerrada para cerrar el suministro de agua.
- Retire los filtros y verifique que no estén dañados.
- Si los filtros están dañados, cámbielos.
- Si los filtros están tapados, retire todos los desperdicios.
- Instale los filtros.
- Gire la manija a la posición abierta para abrir el suministro de agua.
- Cambie de posición el interruptor interno para abrir el suministro eléctrico al inodoro.
- Vuelva a instalar el panel lateral derecho.

Parte posterior de la estación de conexión



Cambio de pilas

NOTA: La luz roja en la estación de conexión parpadea cuando las pilas están bajas. El icono de paro, "Stop", en el control remoto parpadea cuando las pilas están bajas y debe ser devuelto a la estación de conexión.

- Si el control remoto está fijo en la estación de conexión, retírelo y colóquelo a un lado.
- Retire la estación de conexión de la pared levantándola hacia arriba y hacia fuera con cuidado.
- Para abrir el compartimiento posterior en la estación de conexión empuje ambas lengüetas hacia fuera al mismo tiempo.
- Instale cuatro pilas AA orientadas como se muestra en el compartimiento para pilas.
- Vuelva a instalar la cubierta.
- Vuelva a instalar la estación de conexión a la pared.

Resolución de problemas

NOTA: Para consultar información sobre piezas de repuesto, visite la página del producto en www.kohler.com/serviceparts.

Niños pequeños

- Las funciones de descarga automática y de limpieza son activadas por un sensor que se encuentra bajo el asiento. Es posible que los niños pequeños no sean lo suficientemente altos para ser detectados por el sensor.

General

Síntomas	Causas probables	Acción recomendada
1. No llega corriente eléctrica al inodoro..	A. La corriente eléctrica no está encendida.	A. Cambie de posición el interruptor en la caja de empalmes detrás del panel lateral derecho.
	B. El cable de suministro eléctrico no está conectado.	B. Revise la conexión dentro de la caja de empalmes.

Resolución de problemas (cont.)

General

Síntomas	Causas probables	Acción recomendada
2. El inodoro tiene suministro eléctrico, pero no descarga.	A. No fluye agua al inodoro.	A. Abra por completo la llave de paso del agua.
3. No sale agua de la varilla o el flujo es muy débil cuando se activa.	A. La llave de paso de suministro de agua está cerrada o solo parcialmente abierta.	A. Abra por completo la llave de paso del agua.
	B. La manguera de entrada de la llave de paso de suministro de agua al inodoro está torcida o forma un bucle demasiado apretado.	B. Destuerza la manguera o haga el bucle más amplio.
	C. El sensor no detecta al usuario.	C. Es posible que los niños pequeños no sean detectados. Ajuste la posición al estar sentado. El sensor puede tener dificultades con la tela o con otros objetos. El sensor está diseñado para detectar la piel.
4. La función de calefacción del asiento no está funcionando.	A. La calefacción del asiento no está habilitada.	A. Active la calefacción del asiento. Consulte la sección "Habilitar/Inhabilitar funciones automáticas".
	B. La selección de temperatura es demasiado baja.	B. Ajuste la temperatura de calefacción del asiento por medio del control remoto.
5. El agua deja de fluir de la varilla de rociado antes de que termine el proceso de limpieza.	A. El lavado se detiene automáticamente 5 minutos después de oprimir un icono de rocío.	A. Oprima el icono "Front" o "Rear" para reiniciar el proceso de limpieza.
6. El desodorizante no está funcionando.	A. El desodorizante no está activado.	A. Active el desodorizante mediante el control remoto.
7. La función de esterilización con rayos ultravioleta no funciona.	A. La función de esterilización con rayos ultravioleta no está activada.	A. Active la función de esterilización con rayos ultravioleta. Consulte la sección "Habilitar/Inhabilitar funciones automáticas".
8. El inodoro no acciona la descarga automáticamente.	A. La función de descarga automática no está habilitada.	A. Active la descarga automática. Consulte la sección "Habilitar/Inhabilitar funciones automáticas".
	B. El sensor no detecta al usuario.	B. Si esto sucede repetidamente, llame al Centro de Atención al Cliente mediante la información en la página posterior de este manual.
9. La luz nocturna no se ilumina cuando hay poca luz.	A. La luz nocturna no está habilitada.	A. Oprima el icono de iluminación, "lighting" en el panel lateral de control.
	B. El sensor de poca luz no está funcionando.	B1. Limpie el sensor de luz en el panel lateral de control. B2. Llame al Centro de Atención al Cliente mediante la información en la página posterior de este manual.

Resolución de problemas (cont.)

Control remoto

Síntomas	Causas probables	Acción recomendada
1. El control remoto no enciende.	A. Las pilas no están bien instaladas.	A. Vuelva a instalar las pilas. Consulte la sección "Cambio de pilas".
	B. Las pilas no tienen carga.	B. Cambie las pilas. Consulte la sección "Cambio de pilas".
2. El control remoto no está conectando con el inodoro.	A. El control remoto está demasiado lejos del inodoro para recibir una señal.	A. Acerque el control remoto al inodoro para recobrar la conexión.
	B. El control remoto no está vinculado al inodoro.	B. Vincule el control remoto al inodoro. Consulte la sección "Configuración del control remoto".

Conformidad del control remoto

FCC ID: N82-KOHLER015, N82-KOHLER018

IFT: Certificados RCPKO1215-2233 y RCPKO1215-2234.

Este equipo cumple lo establecido en la sección 15 de las normas de la FCC. La operación de este equipo está sujeta a las siguientes dos condiciones:

1. Este equipo o dispositivo no puede causar interferencia perjudicial, y
2. Este dispositivo debe aceptar cualquier interferencia que reciba, incluida la interferencia que pudiera causar funcionamiento no deseado.

Cualquier modificación o cambio que no haya sido aprobado expresamente por la parte responsable de la conformidad podría invalidar el derecho del usuario a utilizar el producto.

Este equipo ha sido probado, y se ha encontrado que satisface los límites de un aparato digital Clase B, de acuerdo a la sección 15 de las normas de la FCC. Estos límites están diseñados para proveer protección razonable contra interferencia perjudicial en una instalación residencial. Este equipo genera, usa y puede radiar energía de radiofrecuencia y, si no se instala y utiliza en cumplimiento de las instrucciones, puede causar interferencia perjudicial a las comunicaciones de radio. Sin embargo, no se garantiza que la interferencia no pudiera ocurrir en una instalación en particular. Si este equipo causa interferencia perjudicial a la recepción de radio o televisión, lo que se puede determinar al encender y apagar el equipo, se le recomienda al usuario que trate de corregir la interferencia mediante una de las siguientes medidas:

- Cambiar la orientación o el lugar de la antena receptora.
- Aumentar la separación entre el equipo y el receptor.
- Conectar el equipo a un tomacorriente en un circuito diferente al que utiliza el receptor.
- Consultar al distribuidor o a un técnico con experiencia en radio/televisión para obtener ayuda.

Advertencia sobre exposición a radiofrecuencias

Este transmisor con su antena cumple los límites de exposición de radiofrecuencia (RF) de la FCC para la exposición no controlada/población general.

Este dispositivo no debe ubicarse ni hacerse funcionar con ninguna otra antena o transmisor.

Este dispositivo debe usarse a una distancia mínima de por lo menos 20 cm entre la antena y el cuerpo de la persona.

IC DE CANADÁ: 4554A-KOHLER015, 4554A-KOHLER018

Este dispositivo cumple las normas RSS de excepción de licencia de la Industria de Canadá.

La operación de este equipo está sujeta a las siguientes dos condiciones:

1. Este equipo no debe causar interferencia, y

Conformidad del control remoto (cont.)

2. Este equipo debe aceptar cualquier interferencia, incluida la interferencia que pueda causar funcionamiento no deseado.

Este transmisor con su antena cumple con los límites de exposición de radiofrecuencia (RF) de la Industria de Canadá para la exposición no controlada/población general.

Este aparato digital Clase B cumple la norma canadiense ICES-003.

Garantía

Garantía limitada de tres años del asiento de limpieza C3 y del inodoro inteligente KOHLER

Kohler Co. garantiza sus inodoros con funcionalidad integrada de limpieza ("inodoros inteligentes") y sus asientos de limpieza contra defectos de material y mano de obra durante el uso normal residencial, durante tres años a partir de la fecha de instalación del producto. Esta garantía se aplica solamente a inodoros inteligentes y asientos de limpieza instalados en Estados Unidos de América, Canadá y México ("Norteamérica").

Si se encuentra un defecto durante el uso residencial normal, Kohler Co., a su criterio, reparará, proveerá una pieza de repuesto o un producto, o realizará los ajustes pertinentes en los casos en que la inspección realizada por Kohler Co. determine dicho defecto. Esta garantía no cubre daños causados por accidente, abuso o uso indebido. El cuidado y la limpieza indebidos anulan la garantía*. Al presentar las reclamaciones de garantía a Kohler Co. es necesario incluir el comprobante de compra (recibo de venta original). Kohler Co. no se hace responsable de costos de mano de obra, instalación u otros costos incidentales o indirectos, aparte de los mencionados arriba. En ningún caso deberá la responsabilidad de Kohler Co. exceder el precio de compra del inodoro inteligente o del asiento de limpieza eléctrico.

Si los inodoros inteligentes o los asientos de limpieza eléctricos se utilizan comercialmente o si se instalan fuera del territorio de Norteamérica, Kohler Co. garantiza que el inodoro inteligente y que el asiento de limpieza eléctrico estarán libres de defectos de material y de mano de obra durante un (1) año a partir de la fecha de instalación del producto, quedando en efecto el resto de las condiciones de esta garantía a excepción de la duración.

Si usted considera que tiene una reclamación en virtud de la garantía, comuníquese con su centro de remodelación, distribuidor, contratista de plomería o distribuidor por Internet. Asegúrese de proporcionar toda la información pertinente a su reclamación, incluida una descripción completa del problema, el producto, el número de modelo, la fecha de compra del producto, el lugar de compra del producto, y la fecha de instalación. También incluya el recibo original. Para obtener información adicional, o para el nombre y la dirección del lugar de reparación y servicio más cercano a usted, escriba a Kohler Co., Atención: Customer Care Center, Kohler, Wisconsin 53044 USA, o llame al 1-800-4-KOHLER (1-800-456-4537) desde los EE.UU. y Canadá, y al 001-800-456-4537 desde México, o visite www.kohler.com desde los EE.UU., www.ca.kohler.com desde Canadá, o www.mx.kohler.com en México.

LAS GARANTÍAS ANTERIORMENTE MENCIONADAS SUSTITUYEN A TODAS LAS DEMÁS GARANTÍAS, EXPRESAS O IMPLÍCITAS, INCLUIDAS, ENTRE OTRAS, LAS GARANTÍAS IMPLÍCITAS DE COMERCIALIZACIÓN E IDONEIDAD PARA UN USO DETERMINADO. KOHLER CO. Y/O EL VENDEDOR DESCARGAN TODA RESPONSABILIDAD POR CONCEPTO DE DAÑOS PARTICULARES, INCIDENTALES O INDIRECTOS.

Algunos estados/algunas provincias no permiten limitaciones en cuanto a la duración de una garantía implícita o a la exclusión o limitación de dichos daños, por lo que es posible que estas limitaciones y exclusiones no se apliquen a su caso. Esta garantía otorga al consumidor ciertos derechos legales específicos. Además, usted puede tener otros derechos que varían de estado a estado y de provincia a provincia. Esta garantía está destinada únicamente para el comprador consumidor original y excluye todo daño al producto como resultado de errores de instalación, abuso del producto o uso indebido del mismo, bien sea por parte de un contratista, de una compañía de servicios o del consumidor mismo.

Esta es la garantía exclusiva por escrito de Kohler Co.

*Nunca utilice limpiadores que contengan abrasivos, amoníaco, blanqueador, ácidos, ceras, alcohol,

Garantía (cont.)

disolventes u otros productos no recomendados para acero inoxidable o para plástico de polipropileno. Esto anula la garantía.

USA/Canada: 1-800-4KOHLER

México: 001-800-456-4537

kohler.com

THE BOLD LOOK
OF **KOHLER**®

©2016 Kohler Co.

1247364-5-B