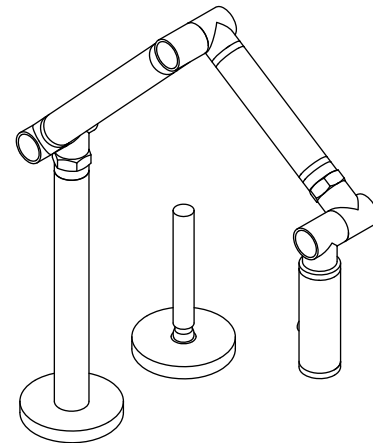


Features

- Metal and carbon fiber construction
- One-piece faucet, self-contained ceramic disc valve allows both volume and temperature control
- Flexible connections for easy installation
- Integral sprayhead
- 1-5/16" (33 mm) diameter remote joystick valve
- Variable spout reach from less than 2" (51 mm) to over 13" (330 mm)
- For countertop-mount installation
- Meets CalGreen requirements for kitchen faucets
- 1.8 gallons (6.8 L) per minute maximum flow rate at 60 psi (4.1 bar)

**ARTICULATING KITCHEN SINK FAUCET
K-6227**

ADA **CSA B651**



Codes/Standards Applicable

Specified model meets or exceeds the following at date of manufacture:

- ADA
- ICC/ANSI A117.1
- ASME A112.18.1/CSA B125.1
- NSF 61
- Energy Policy Act of 1992
- All applicable US Federal and State material regulations
- CSA B651

Colors/Finishes

- CP: Polished Chrome
- VS: Stainless Steel
- Other: Refer to Price Book for additional colors/finishes

Accessories

- NA: None applicable

Specified Model

Model	Description	Colors/Finishes
K-6227-C11	Articulating kitchen sink faucet with silver tube	<input type="checkbox"/> CP <input type="checkbox"/> VS
K-6227-C12	Articulating kitchen sink faucet with black tube	<input type="checkbox"/> CP <input type="checkbox"/> VS
K-6227-C13	Articulating kitchen sink faucet with gold tube	<input type="checkbox"/> Other ____
K-6227-C15	Articulating kitchen sink faucet with bronze tube	<input type="checkbox"/> Other ____

Optional Accessories		
1191726	Low flow kit - reduces maximum flow to 1.5 gal/min (5.7 l/min) at 60 psi (4.1 bar)	<input type="checkbox"/> NA
1191727	High flow kit - increases maximum flow to 2.2 gal/min (8.3 l/min) at 60 psi (4.1 bar)	<input type="checkbox"/> NA
1191733	Deep roughing-in kit	<input type="checkbox"/> NA

Product Specification

The articulating kitchen sink faucet shall be of metal and carbon fiber construction. Product shall meet CalGreen requirements for kitchen faucets. Product shall have a maximum flow rate of 1.8 gallons (6.8 L) per minute at 60 psi (4.4 bar). Product shall feature a one-piece, self-contained ceramic disc valve, which allows both volume and temperature control. Product shall feature an integral sprayhead and a 1-5/16" (33 mm) diameter remote joystick valve. Product shall feature a variable spout reach from less than 2" (51 mm) to over 13" (330 mm). Product shall feature flexible connections for easy installation. Product shall be for countertop-mount installation. Faucet shall be Kohler Model K-6227-____-____.

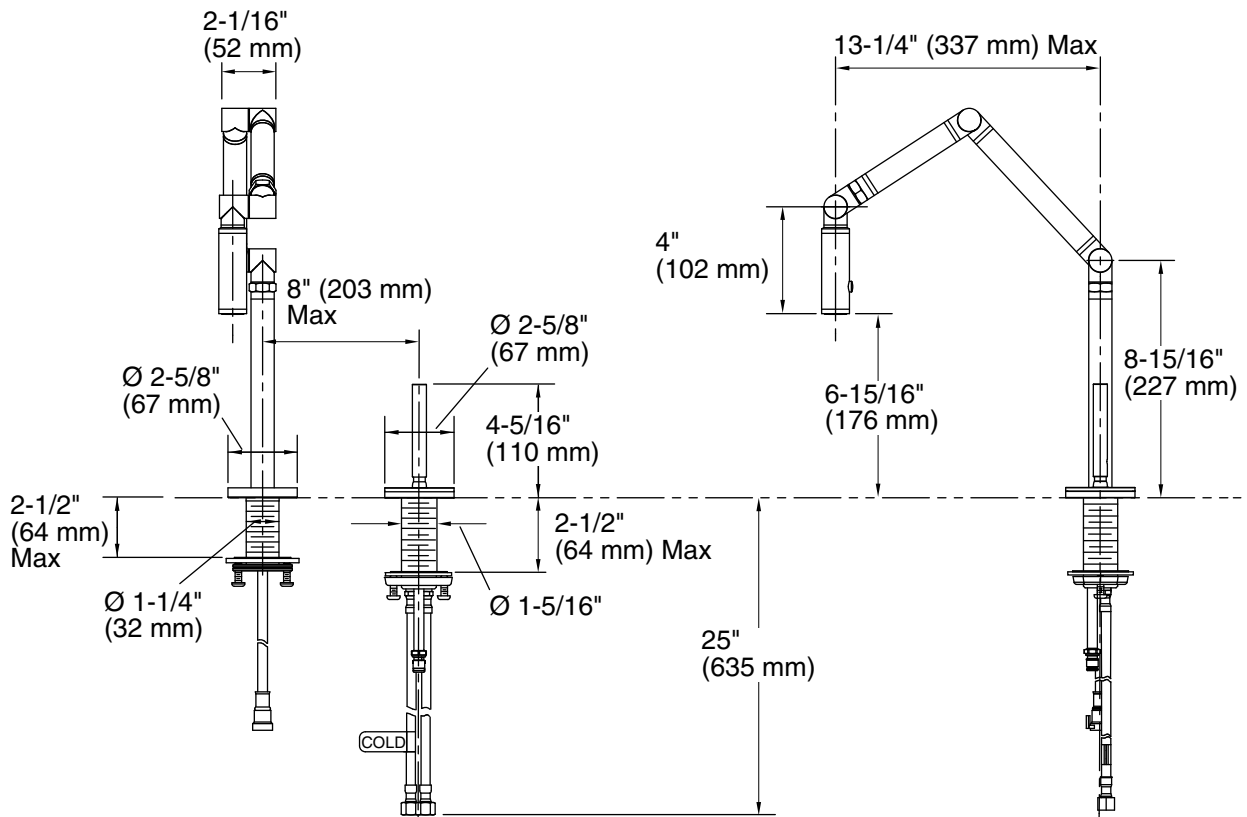
KARBON®

Installation Notes

Install this product according to the installation guide.

ADA compliant when installed to the specific requirement of the regulation.

Will comply with **CSA B651** when installed per Clause 4.3.6 of the standard.



Product Diagram