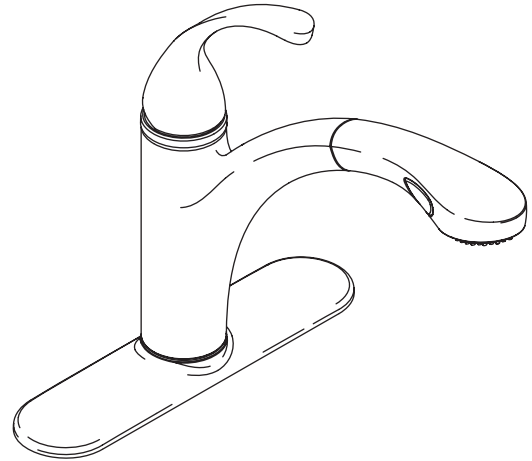


**KITCHEN SINK FAUCET
K-10433**

Features

- Metal construction
- One-piece, self-contained ceramic disc valve allows both volume and temperature control
- Temperature memory allows faucet to be turned on and off at any temperature setting
- High-temperature limit setting for added safety
- 2.2 gallons (8.3 L) per minute maximum flow rate
- Lower flow kits are available
- Promotion™ technology with nylon hose and ball joint for easy operation
- MasterClean™ spray nozzles prohibit mineral buildup for easy cleaning
- Swing spout with integral pullout spray and hose
- Touch control for stream-to-spray water flow
- 10-1/8" (257 mm) swing spout reach
- Includes parts for both single-hole and three-hole installations



Codes/Standards Applicable

Specified model meets or exceeds the following:

- ASME A112.18.1/CSA B125.1
- NSF 61
- IAPMO/cUPC

Colors/Finishes

- CP: Polished Chrome
- Other: Refer to Price Book for additional colors/finishes

Accessories

- NA: None applicable

Specified Model

Model	Description	Colors/Finishes	
K-10433	Kitchen faucet with pullout spray – lever handle	<input type="checkbox"/> CP	<input type="checkbox"/> Other ____
Optional Accessories			
1012715	Deep rough-in kit <i>Requires 1-7/16" (37 mm) to 1-1/2" (38 mm) diameter hole to accommodate 1-1/2" (38 mm) to 3-3/8" (86 mm) thick installations.</i>	<input type="checkbox"/> NA	
1177879	Low flow kit – reduces maximum flow to 1.5 gpm (5.7 L) at 60 psi (4.1 bar)	<input type="checkbox"/> NA	
1184741	Low flow kit – reduces maximum flow to 1.8 gpm (6.8 L) at 60 psi (4.1 bar)	<input type="checkbox"/> NA	

Product Specification

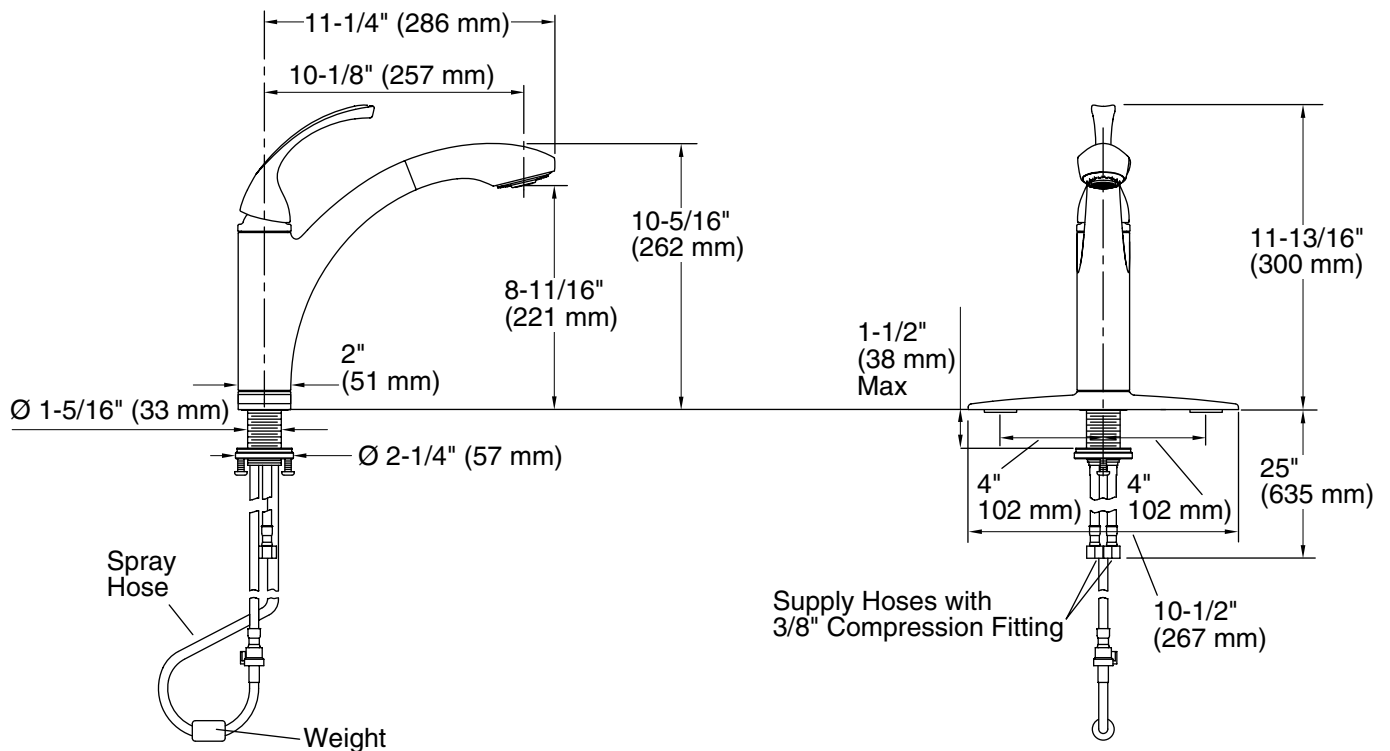
Single-control pullout spray kitchen sink faucet shall be of metal construction. Valve shall be a one-piece, self-contained ceramic disc valve and allows both volume and temperature control. Valve shall feature temperature memory, allowing the faucet to be turned on and off at any temperature setting. Valve shall include a high-temperature limit stop for added safety. Faucet shall have a maximum flow rate of 2.2 gallons (8.3 L) per minute. Faucet shall feature a 10-1/8" (257 mm) swing spout reach. Faucet shall feature Promotion technology with nylon hose and ball joint for easy operation. Faucet shall feature MasterClean spray nozzles prohibit mineral build-up. Faucet shall feature a touch control for stream-to-spray water flow and swing spout with integral pullout sprayhead and hose. Faucet shall include parts for both single-hole and three-hole installations. Faucet shall be Kohler Model K-10433-_____.

FORTÉ®

Installation Notes

Install this product according to the installation guide.

Lower flow kits are available.



Product Diagram