

KOHLER®

K-2241-1/-4/-8 MEMOIRS™

VITREOUS CHINA SELF-RIMMING LAVATORY INSTALLATION INSTRUCTIONS/TEMPLATE

BEFORE YOU BEGIN

NOTES

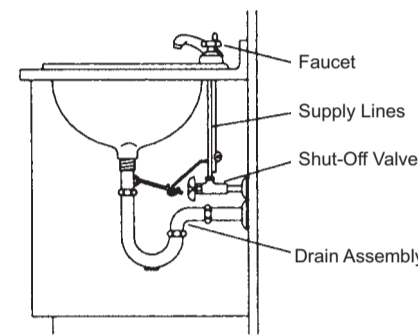
- Observe all local plumbing and building codes.
- Inspect the waste and supply tubing; replace if necessary.
- Prior to installation, unpack the new lavatory and carefully inspect it for damage. Return the lavatory to its protective carton until you are ready to install it.
- For replacement installations, make sure the existing cutout is the same or smaller size as the new lavatory.
- Use the template supplied with the lavatory to mark correct size cutout.
- Do not substitute another sealant if one is supplied with this lavatory.
- All information in these instructions is based upon the latest product information available at the time of publication. Kohler Co. reserves the right to make changes in product characteristics, packaging, or availability at any time without notice.
- These instructions contain import care, cleaning, and warranty information-**please leave instructions for the consumer.**

TOOLS AND MATERIALS REQUIRED (Not supplied unless specified.)

- Template (supplied)
- Sealant (may be supplied with some models)
- Safety glasses
- Pencil
- Scissors
- Tape measure
- Putty knife
- Plumbers putty
- Hacksaw
- Keyhole saw or saber saw
- Drill (13mm or 1/2" dia. drill bit or larger)
- Adjustable wrench
- Pipe wrench
- Tubing cutter

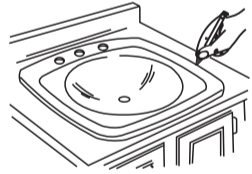
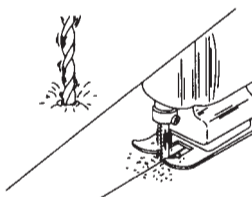
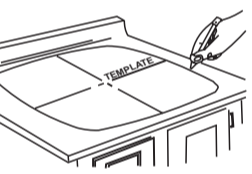
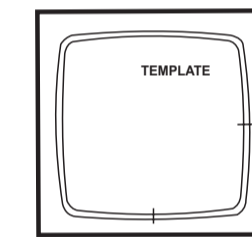
REMOVE EXISTING LAVATORY

- Turn off the water supply to the faucet.
- Open the faucet valves, then disconnect the supply lines.
- Disconnect the drain assembly, and remove the trap.
- Remove the existing lavatory.



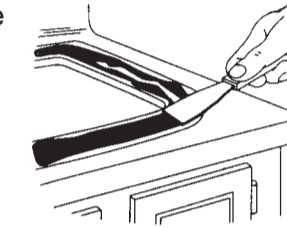
INSTALL NEW LAVATORY

- Cut the template on the cutout line.
- Position the template on the countertop to ensure clearance between the lavatory, faucet, and backsplash.
- Verify cabinet clearance beneath the countertop.
- Trace the template on the countertop with a pencil.
- Re-check the clearance between the lavatory, faucet, backsplash, and cabinet. Adjust the template accordingly.
- Drill a 13mm hole on the inside of the cutout opening.
- Cut the opening in the countertop along the inside edge of the pencil line.
- Temporarily position the lavatory in the opening, and adjust to fit.



- Trace a pencil line around the outside edge of the lavatory.
- Remove the lavatory.
- Install the faucet and drain according to the manufacturer's instructions.
- Apply two beads of sealant to the inside of the pencil line.

NOTE: Do not substitute another sealant if one is supplied with this lavatory.



- Spread the sealant evenly with a putty knife.
- Carefully position the lavatory in the cutout, and press down firmly.

CAUTION: Risk of personal injury or product damage. Large lavatories are very heavy. Get help lifting the lavatory into place.



- Immediately wipe away any excess sealant, and fill any voids as needed.
- Verify that the lavatory has not moved out of position.
- Allow the sealant to cure for at least 30 minutes before proceeding.
- Connect the faucet supply lines.
- Connect the drain assembly.
- Open the faucet valves, and check for leakage.
- Clean up with a non-abrasive cleaner.



IMPORTANT CONSUMER INFORMATION

CARE AND CLEANING

To keep your lavatory looking new, make sure you rinse it out thoroughly after each use. **DO NOT USE ABRASIVES** on this product, as they will scratch and ruin the surface. Stubborn stains, paint, or tar can be removed with turpentine or paint thinner.

LIMITED ONE-YEAR WARRANTY

Kohler plumbing fixtures fittings are warranted free of manufacturing defects.

Kohler Co. Will, at its election repair, replace, or make appropriate adjustment where Kohler Co. inspection disclosed any such defects occurring in normal usage within one year after installation. **Kohler Co. is not responsible for installation costs.**

To obtain warranty service, contact Kohler Co. either through your Dealer or Plumbing Contractor or by writing Kohler Co., Attn: Consumer Affairs Department, Kohler, WI 53044 U.S.A.

IMPLIED WARRANTIES, INCLUDING THAT OF MERCHANTABILITY, ARE EXPRESSLY LIMITED IN DURATION TO THE DURATION OF THIS WARRANTY. KOHLER Co. DISCLAIMS ANY RESPONSIBILITY FOR CONSEQUENTIAL DAMAGES.

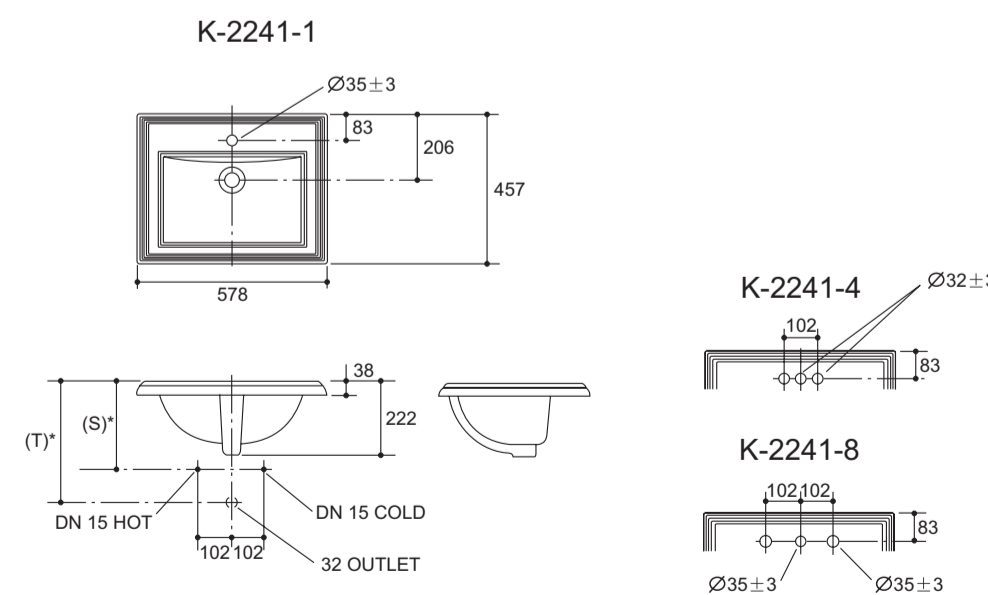
Some states do not allow limitations on how long an implied warranty lasts or the exclusion or limitation of incidental or consequential damages, so this limitation and exclusion may not apply to you. This warranty gives you specific legal rights. You may also have rights which vary from state to state.

This is our exclusive written warranty.

KOHLER CO., KOHLER, WISCONSIN 53044

CUT ALONG THIS LINE

RIM OF LAVATORY



*Fixture dimensions are nominal and conform to tolerance in ASME/ANSI Standard A112.19.2M.
(T) Pop-up drain 365mm, grid drain 343mm
(S) 254mm (Based on 305mm riser which may require cutting.)

COPYRIGHT © 2002 KOHLER Co.

115707-7P-P