

BEFORE YOU BEGIN

- Observe all local plumbing and building codes.
- Prior to installation, unpack the new lavatory and inspect it for damage. Return the lavatory to its protective carton until you are ready to install it.
- These instructions are for installing the lavatory to wood frame construction. For other installations, supply suitable bracing and fastening devices of sufficient size and strength.
- The walls and floor must be square, plumb, and level.

CAUTION: Lavatory must be installed with either the pedestal or half pedestal. It must not be installed alone.

- Kohler lavatory is made according to American National Standard that it can match the American lavatory fittings. Any other lavatory fittings may not fit for Kohler lavatory.

安装之前

- 遵守当地所有给排水和建筑规定。
- 安装之前先开启新脸盆的包装，检查有无破损后放回纸箱中以免碰坏，到准备安装时才取用。
- 以下安装指引适用于安装脸盆于木框结构之中，其他的结构需另置合适尺寸和强度的支撑及紧固装置配套。

警告：脸盆必须有立柱或半柱支撑，不可单独安装。

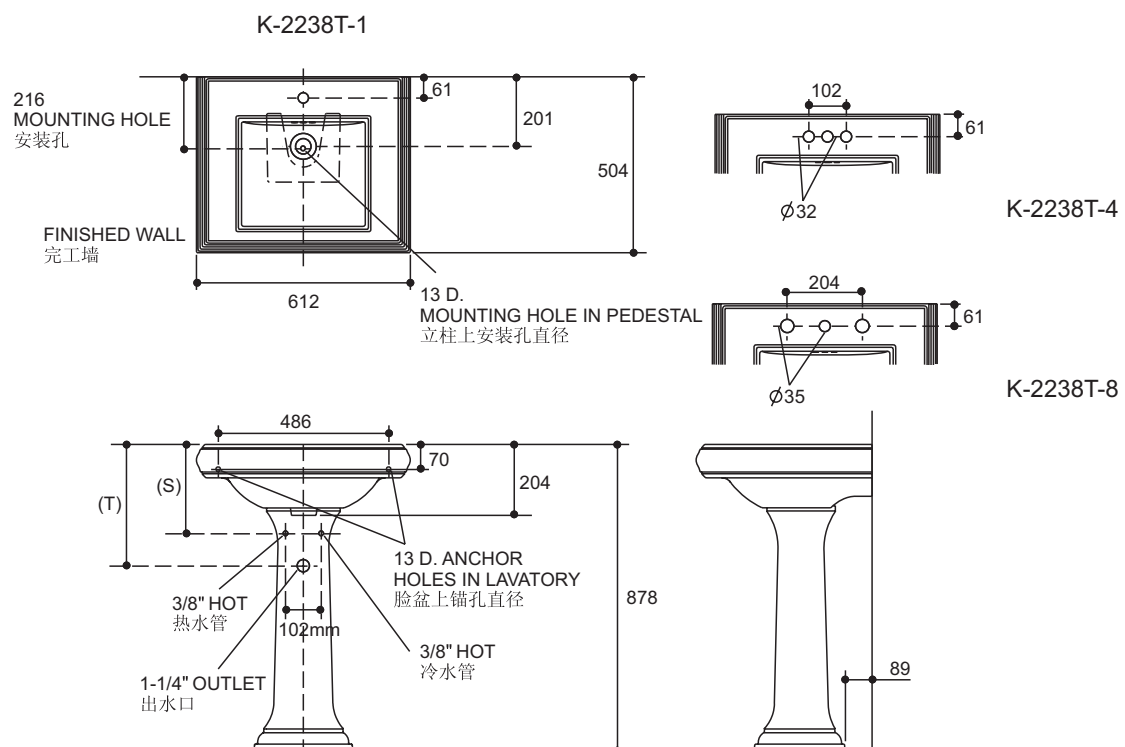
- 科勒洗脸盆是根据美国标准制造的，与美式洗脸盆配件相配。其它洗脸盆配件可能与之不相配。

ROUGHING-IN

(S) 254mm (Based on 305mm risers which may require cutting).
(T) Pop-up drain typically 346mm; grid drain typically 324mm.
Fixture dimensions are nominal and conform to tolerances in ASME Standard A112.19.2M.

尺寸图

(S) 254mm供水管(根据305mm冒口而定，可能需切短)
(T) 凸出排水管一般为346mm，滤网状排水管一般为324mm。
部件尺寸为公称尺寸，误差符合美国ASME标准A112.19.2M。



广东省佛山市三水区乐平镇第二工业区
佛山科勒有限公司 邮编: 528137

TOOLS AND MATERIALS REQUIRED (Not Supplied)

- Level
- Drill with assorted bits
- 14mm wrench
- Tape measure
- Framing square
- Channel lock pliers

所需工具及材料 (不随货供应)

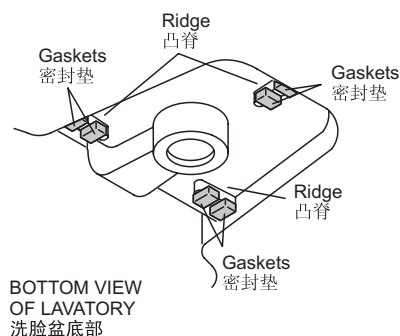
- 水平尺
- 带配套钻头的钻
- 14mm板钳
- 卷尺
- 定位直尺
- 锁钳

INSTALLATION

- Rough-in the supplies and the drain piping.

NOTE: The supply stop handles cannot extend more than 76mm from the finish wall when in the open position.

- Install sufficient backing behind the finish wall to provide a secure material form the anchoring devices.
- Apply two self-adhesive gaskets (provided) to each of the three ridges in the bottom recess of the lavatory.



- Mark the centerline on the floor.

- Position the pedestal on the floor centerline.

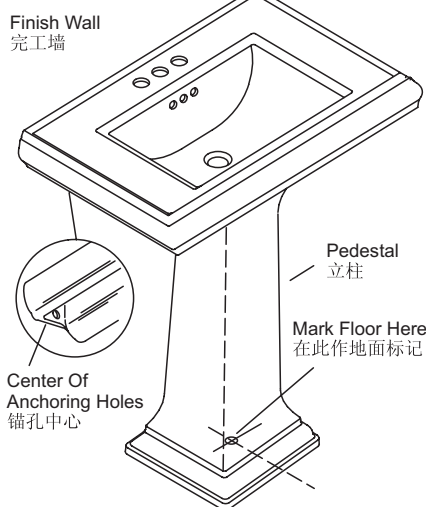
- Carefully set the lavatory on the pedestal.

- Move the pedestal as required to ensure proper fit in the desired location.

- Level the lavatory. Add more self-adhesive gaskets as needed to level the lavatory.

NOTE: The lavatory must be supported by the pedestal.

- Check the lavatory placement.
- Mark the center of each anchoring hole on the wall, and mark the floor through the hole in the pedestal bottom.
- Carefully remove the lavatory from the pedestal. Then move the pedestal from the area.



安装

- 画出供水及排水管道及阀门的轮廓线。

注意：供水开关手柄在打开位置时，距离完工墙面不得超过76mm。

- 要在完工的墙后安装足够的褥垫，为锚固装置提供牢靠的基础。

- 在洗脸盆底部凹进处的三个凸脊各放两块密封垫(已随货提供)。

- 在地面上画出中心线标记。

- 把立柱放在地面中心线位置上。

- 小心地将洗面盆安放在立柱上。必要时移动立柱，以确保位置恰当。

- 调平洗面盆，如有需要找，可使

- 更多的自贴密封垫以便挖平。

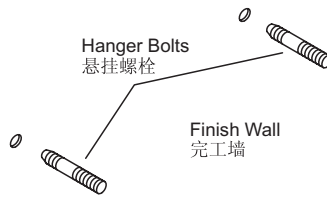
注意：洗面盆必须由立柱支撑。

- 检查洗面盆是否正确安放。

- 在墙上标出每个安装孔的中心位置，并通过立柱底部的孔，在地面上作出标记。

- 小心地从立柱上移开洗面盆，再将立柱搬开。

- Drill a 6.3mm mounting hole at the mark on the floor, then drill two 6.3mm hanger bolt holes at the marks on the wall.
- Mount hanger bolts to the wall so approximately 32mm of each bolt remains exposed.



- 在地面标记处钻一个6.3mm的安装孔，然后再在墙上标记处钻两个6.3mm的悬挂螺栓孔。
- 将悬挂螺栓安装在墙上，并使每个螺栓保持外露约32mm。

注意：也可使用其它具有足够尺寸及强度的紧固装置。

NOTE: Other fastening devices of sufficient size and strength may also be used.

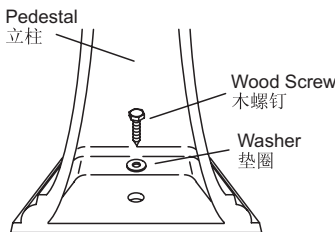
- Install the faucet and drain to the lavatory according to the manufacturer's instructions.

- 按照制造商之要求，将水龙头及排水管道安装在脸盆上。

注意：此时勿将滑动排水连接器拧得过紧。

NOTE: Do not fully tighten slip-joint drain connections at this time.

- Position the pedestal mounting hole over the hole in the floor.
- Secure the pedestal to the floor with the wood screw and washer. Tighten the wood screw until it is snug.

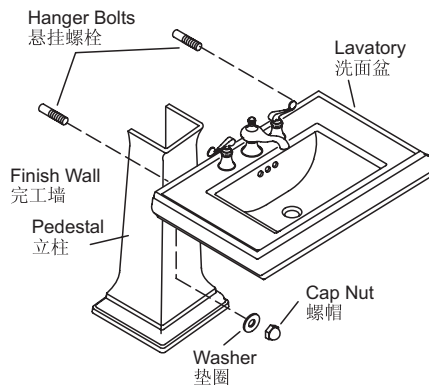


- 把立柱安装孔对准地面的孔。
- 用木螺钉及垫圈将立柱固定在地面上，拧紧木螺钉。

CAUTION: Risk of product damage. Do not overtighten. Overtightening may cause damage to the product.

小心：有产品损坏之危险。不要把螺母上得过紧，否则可能损坏产品。

- Set the lavatory on the pedestal so the hanger bolts extend through the lavatory holes.
- Level the lavatory.
- Install the cap nuts and washers, and tighten until snug.



- 将洗面盆放于立柱上，使悬挂螺栓穿过洗面盆的孔。
- 调平洗面盆。
- 安上螺母及垫圈，拧紧。

CAUTION: Risk of product damage. Do not overtighten the cap nuts. Overtightening may cause damage to the product.

小心：有产品损坏之危险。不要把螺母上得过紧，否则可能损坏产品。

- Connect and tighten the trap. Connect the hot and cold water supplies to the faucet.

- 联接，不拧紧弯管于下水管将热水及冷水管与水龙头联接。

IMPORTANT CONSUMER INFORMATION

用户须知

CARE AND CLEANING

To keep your lavatory looking new, make sure you rinse it out thoroughly after each use. **DO NOT USE ABRASIVES** on this product, as they will scratch and ruin the surface. Stubborn stains, paint, or tar can be removed with turpentine or paint thinner.

护理及清洁

为保持脸盆常新，请确保每次使用后立即彻底冲洗，**但切勿用腐蚀性清洁剂**，以防止刮花或磨损盆面。如有顽渍、油漆或柏油点，可用松油或油漆稀释剂清洗。