

R45616IN-9 STRAYT ANGLE VALVE

BEFORE YOU BEGIN

All information is based on the latest product information available at the time of publication. Kohler Co. reserves the right to make changes in product characteristics, packaging, or availability at any time without notice.

Please leave these instructions for the consumer. They contain important information.

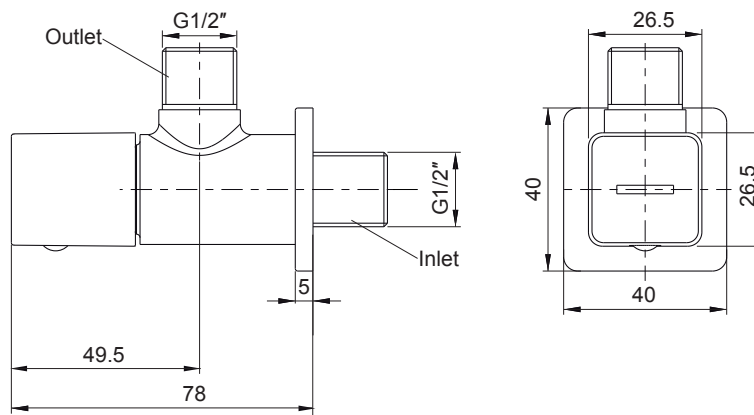
NOTES:

1. Flush the water supply pipes thoroughly to remove any debris.
2. The static water pressure should not exceed 1.0Mpa(10bars).The supply water temperature should be between 0°C and 80°C.

HANDLE OPERATION

The handle closes with one-quarter turn clockwise, opens with one-quarter turn counter-clockwise.

ROUGH-IN DIMENSIONS



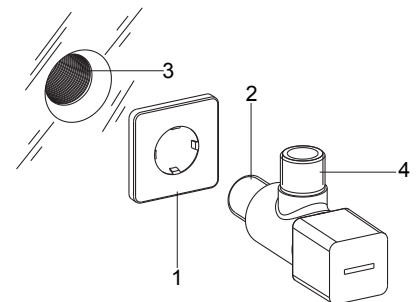
INSTALLATION

How To Install The Angle Valve

Shut off the water supply.

Slide the escutcheon(1) to the inlet shank (2). Apply a ring of plumbers putty around the underside of the escutcheon. Apply tape or sealant to the inlet shank and install it to the pipe(3). Tighten with a strap wrench. Ensure the outlet(4) in the position to connect hose easily.

Remove any excess putty.



INSTALLATION CHECKOUT

Ensure that all connections are tightened, and the handle is in the off position.

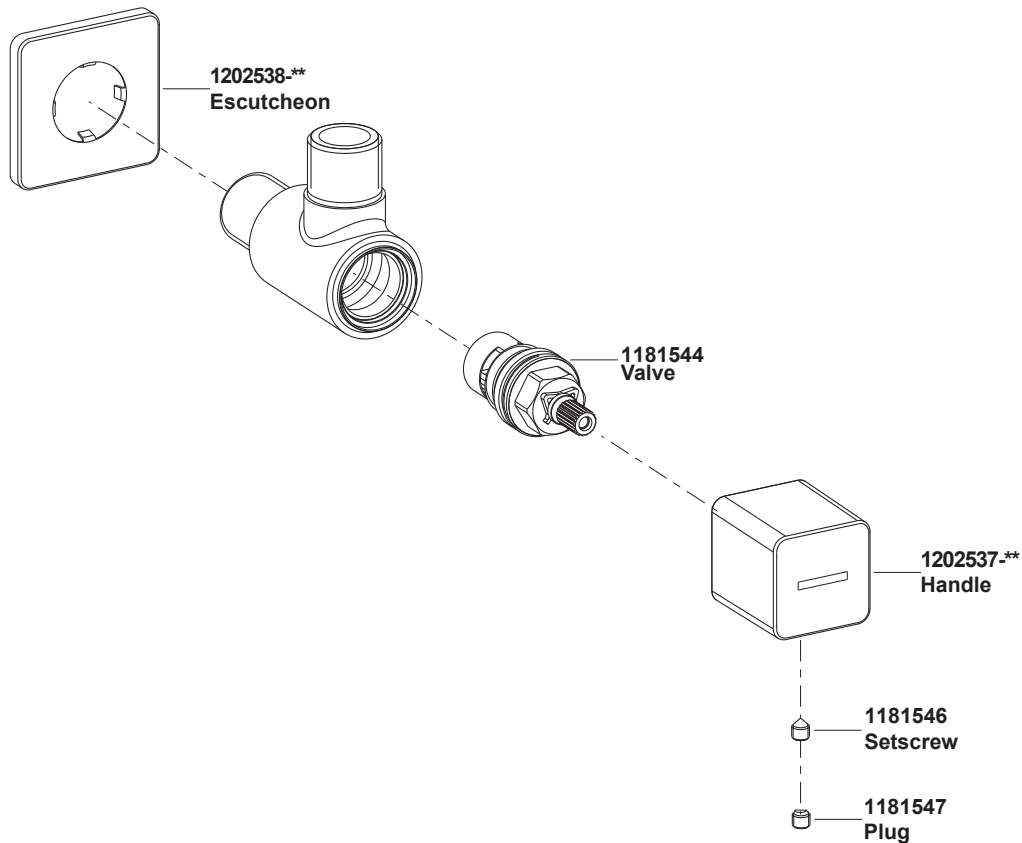
Turn on the main water supply and check for leaks. Repair as required.

CLEANING INSTRUCTIONS

All Finishes: Clean the finish with mild soap and warm water. Wipe entire surface completely dry with a clean soft cloth. Many cleaners may contain chemicals, such as ammonia, chlorine, toilet cleaner etc. Which could adversely affect the finish and are not recommended for cleaning.

Do not use abrasive cleaners or solvents on Kohler faucets and fittings.

SERVICE PARTS



**Color code must be specified when ordering