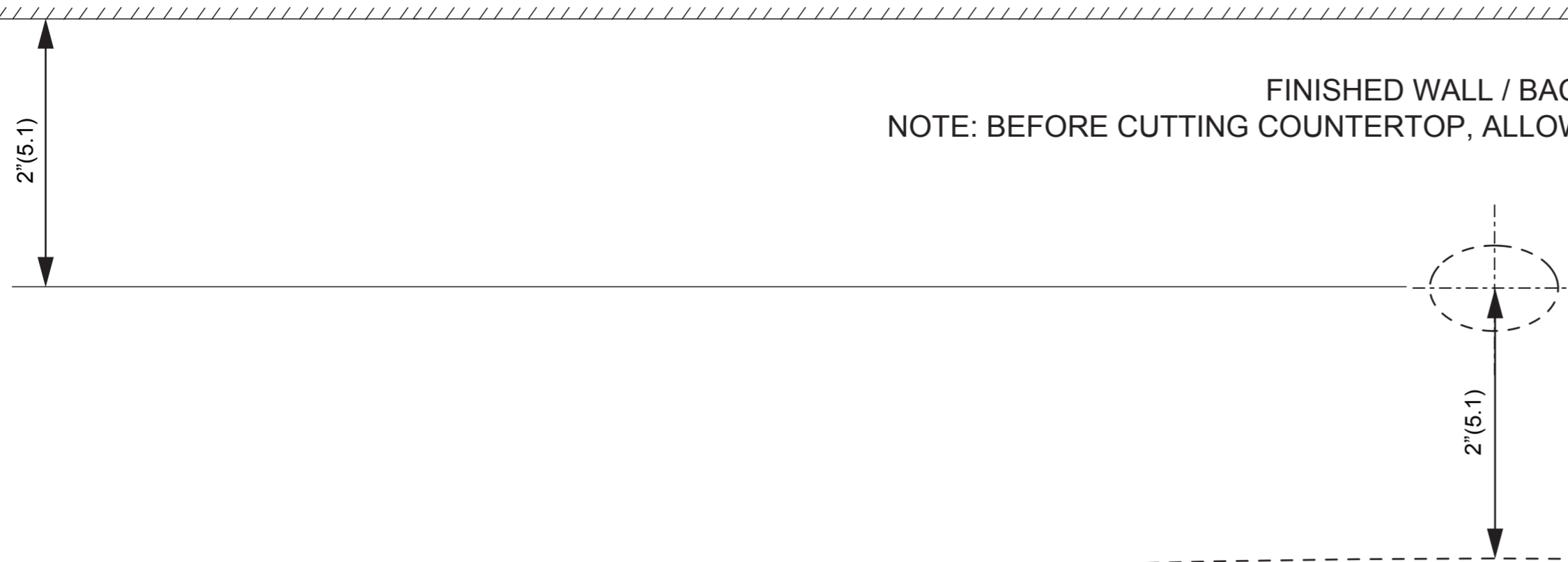


FINISHED WALL / BACK SPLASH
NOTE: BEFORE CUTTING COUNTERTOP, ALLOW FOR FAUCET HANDLE CLEARANCE



KOHLER

CUT-OUT TEMPLATE / INSTALLATION INSTRUCTION

BEFORE YOU BEGIN

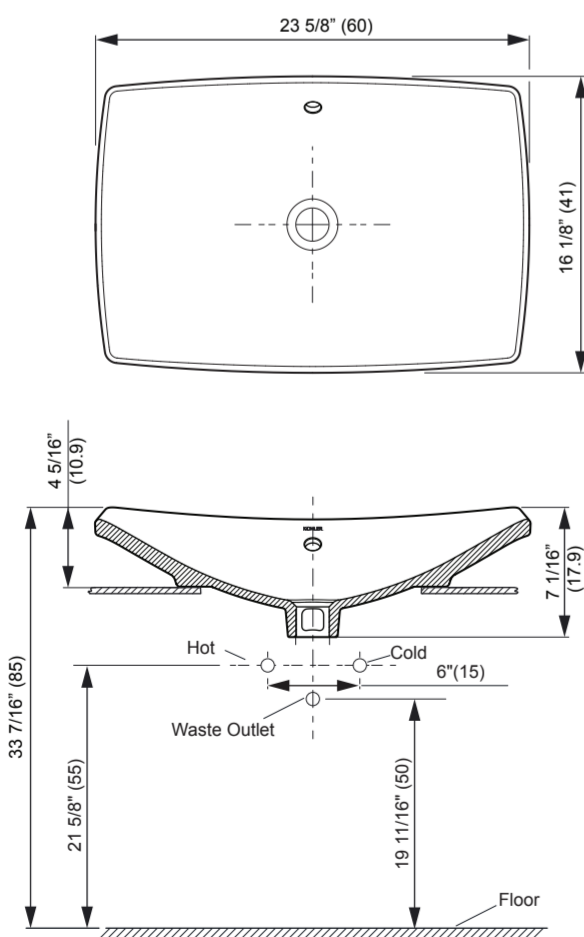
- Observe all local plumbing & building codes.
- Inspect the waste and supply piping for leakages or damage, replace if necessary.
- Before installation, carefully unpack the lavatory and inspect it for any transit damage. Contact customer care in case you found any damage.
- Keep the lavatory in its protective carton until you are ready for installation.
- Use this template to mark correct cut-out size of lavatory.
- Assemble the drain to the lavatory before installing it.

TOOLS AND MATERIAL (Not Supplied)

- Safety glasses
- Pencil
- Scissors
- Measuring tape
- Putty knife
- Plumbers putty
- Hacksaw
- Keyhole saw or saber saw
- Drill bit as required
- Adjustable wrench
- Pipe wrench
- Tube cutter

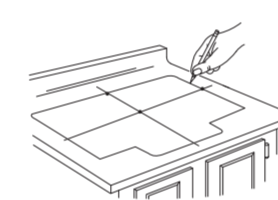
ROUGH-IN

Unit: Inch (cm)

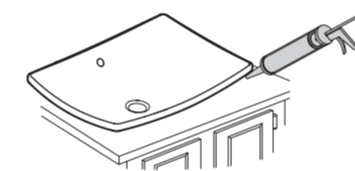


Roughing-In Notes
Fixture dimensions are nominal and conform to tolerances in ASME Standard A112.19.2M.

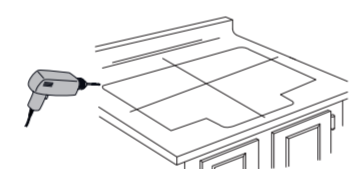
INSTALLATION



Place this template on the counter top and align with the finish wall markings. Ensure clearance as specified between rim of lavatory and finish wall. Trace the template on counter top. Remove the template.

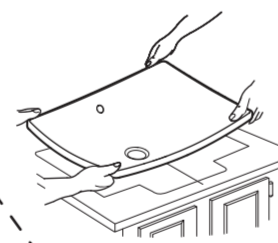


Carefully position the lavatory in the cut-out, and ensure the bottom face of lavatory is resting properly (as shown in rough-in). Verify the orientation of vessel with marking given on template. Apply sealant at the joint of lavatory and counter as shown.

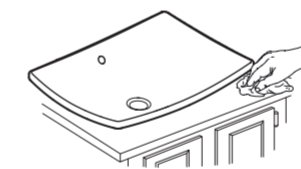
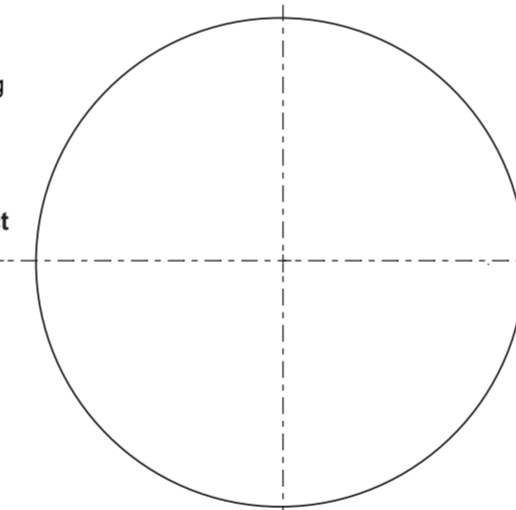


Cut the opening in the counter top along the inside edge of the pencil line using a suitable cutting tool.

CAUTION: Risk of personal injury or product damage.
• Large lavatories are very heavy. Get help lifting the lavatory during installation.



Temporarily position the lavatory in the cut-out and adjust to fit. Trace a pencil line around the outside edge of the lavatory for reference. Remove the lavatory.



Immediately wipe off any excess sealant, and fill any voids if needed. Allow the sealant to set for at least 30 minutes before any further activities.

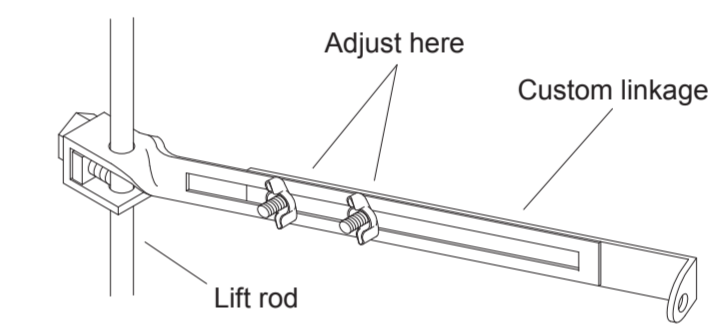
CARE AND CLEANING

To keep your lavatory looking new, make sure you clean it out thoroughly after each use. DO NOT USE ABRASIVES on this product, as they will scratch and ruin the surface. Stubborn stains, paint, or tar can be removed with turpentine or paint thinner.

**29018IN
Escale 600mm Vessel**

IMPORTANT:

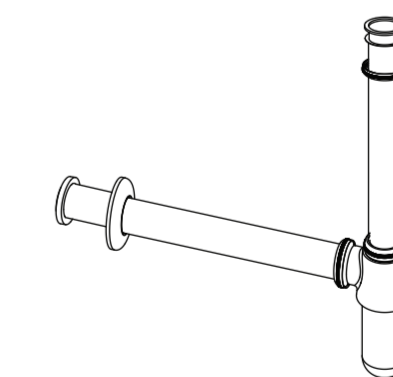
For pop-up drains, use the custom linkage 84474 instead of the linkage supplied with the drain.



Item Code:- 84474
Item description:- ASSEMBLY ADJUSTABLE LINKAGE

RECOMMENDED PARTS:

Bottle Trap: 75823IN-CP



Rim of lavatory

Bottom of lavatory
(Apply sealant on bottom edge)

Installation check List

- Leakage between vessel and drain outlet.
- Vessel orientation
- Visual inspection of applied sealant

Toll Free 1800 103 2244
kohler.co.in
© 2018 Kohler Co.

Finished wall

Finished wall