

### Features

- Brass construction.
- Brass valve bodies.
- Quarter-turn washerless ceramic disc valves.
- Pop-up drain with lift rod and tailpiece.
- For 8" (203 mm) or 16" (406 mm) centers.
- Stationary spout.
- Oval handles.
- 4-5/8" (117 mm) spout reach.
- 1.5 gal/min (5.7 l/min) maximum flow rate [max at 60 psi (4.14 bar)].

### Required Accessories

K-258 Ceramic Handle Insets and Skirts.

or

K-258-FL Ceramic Handle Insets and Skirts

or

K-258-TC Ceramic Handle Insets and Skirts

or

K-258-WF Ceramic Handle Insets and Skirts

or

K-258-PH Ceramic Handle Insets and Skirts

or

K-258-TL Ceramic Handle Insets and Skirts

or

K-258-BR Ceramic Handle Insets and Skirts

or

K-258-PS Ceramic Handle Insets and Skirts



ADA

### Codes/Standards

ASME A112.18.1/CSA B125.1

NSF 61

NSF 372

DOE - Energy Policy Act 1992

EPA WaterSense®

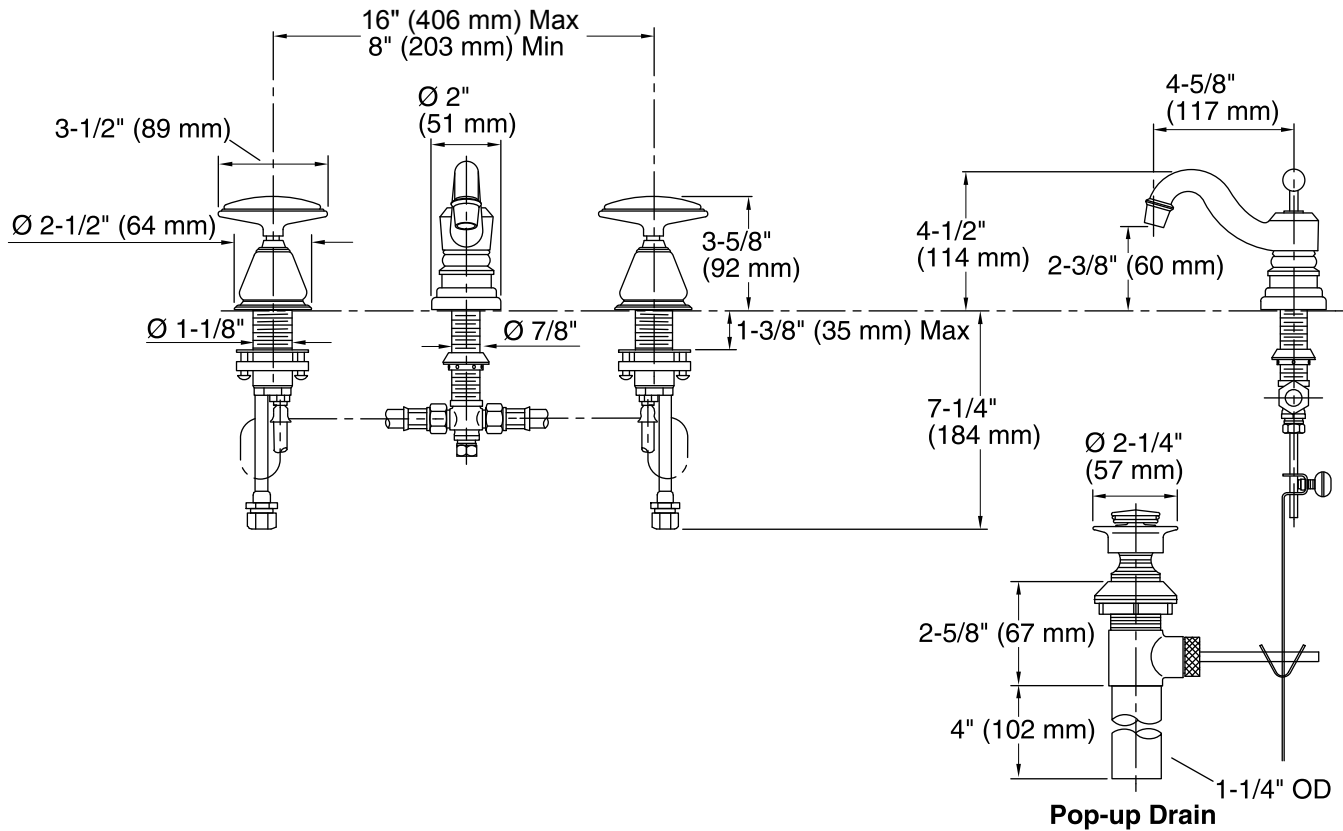
ADA

ICC/ANSI A117.1

All applicable US Federal and State material regulations

### KOHLER® Faucet Lifetime Limited Warranty

See website for detailed warranty information.



### Technical Information

All product dimensions are nominal.

Spout reach: 4-5/8" (117 mm)

Drain included: YES

Drain tailpiece included: YES

### Faucet:

Flow rate: 1.5 gal/min (5.7 l/min)

Pressure: 60 psi (4.1 bar)

### Notes

Install this product according to the installation guide.

ADA compliant when installed to the specific requirements of these regulations.