

NOTE: BEFORE CUTTING COUNTER-TOP  
ALLOW FOR FAUCET HANDLE CLEARANCE

FINISHED WALL / BACK SPLASH

CENTERLINE OF FITTING/ FAUCET

RIM OF LAVATORY

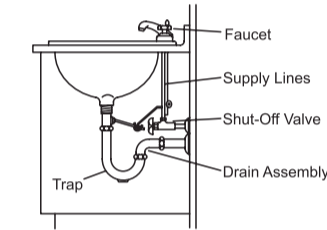
**KOHLER**

CUT-OUT TEMPLATE / INSTALLATION INSTRUCTION  
SQUARE VESSEL

**K-2661IN  
FOREFRONT VESSEL**

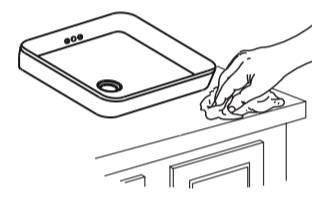
**BEFORE YOU BEGIN**

- Observe all local plumbing & building codes
- Inspect the waste and supply tubing, replace if necessary.
- Prior to installation, unpack the new Lavatory and carefully inspect it for damage.
- Return the Lavatory to its protective carton until you are ready to install it.
- For replacement installations, make sure the existing cutout is the same or smaller size as the new Lavatory.
- Use the template supplied with the Lavatory to mark correct size cutout.
- If possible, assemble the drain to the Lavatory before installing the Lavatory.



**REMOVE EXISTING LAVATORY**

- Turn off the water supply to the faucet.
- Open the faucet valves, then disconnect the supply lines.
- Disconnect the drain assembly and remove the trap.
- Remove the existing Lavatory.



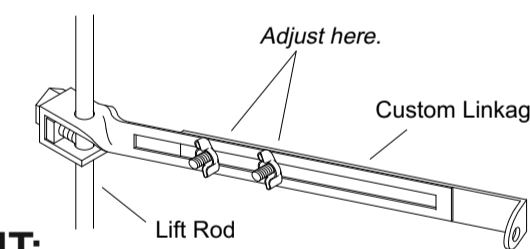
**IMPORTANT CONSUMER INFORMATION (CARE AND CLEANING)**

To keep your Lavatory looking new, make sure you clean it out thoroughly after each use. **DO NOT USE ABRASIVES** on this product, as they will scratch and ruin the surface. Stubborn stains, paint, or tar can be removed with turpentine or paint thinner.

**SERVICE PARTS**



1105685 Overflow Cover



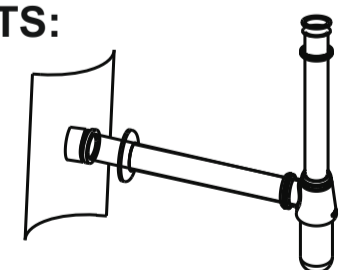
**IMPORTANT:**

Item Code:- 84474  
Item description:- ASSEMBLY ADJUSTABLE LINKAGE

For pop-up drains, use the custom linkage 84474 instead of the linkage supplied with the drain.

**MUST ORDER PARTS:**

Bottle Trap: 75823IN-CP

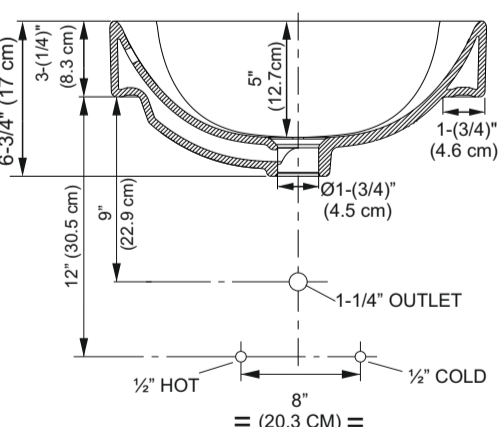
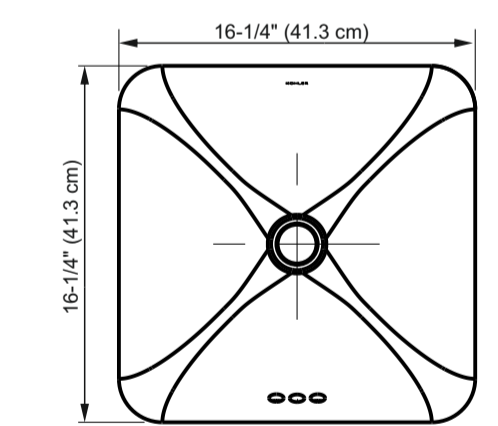


Toll Free 1800 103 2244  
kohler.co.in  
© 2006 Kohler Co.

**TOOLS AND MATERIAL (Not supplied)**

- Template (Supplied)
- Safety Glasses
- Pencil
- Scissors
- Tape Measure
- Putty Knife
- Plumbers putty
- Hacksaw
- Keyhole Saw or Saber Saw
- Drill (13mm or 1/2" dia. drill bit or larger)
- Adjustable Wrench
- Pipe wrench
- Tubing Cut

**ROUGH-IN**  
Unit: Inch (Cm)



**Roughing-In Notes**  
Fixture dimensions are nominal and conform to tolerances in ASME Standard A112.19.2M.

**CAUTION: Risk of personal injury or product damage.**

- Large Lavatories are very heavy. Get help lifting the lavatory into place.
- Temporarily position the Lavatory in the opening, and adjust to fit.
- Trace a pencil line around the outside edge of the Lavatory.
- Remove the Lavatory.

**IF THE DRAIN IS NOT INSTALLED INSTALL IT AT THIS TIME. BE SURE TO FOLLOW ALL INSTRUCTIONS PACKED WITH THE PRODUCT.**

- Apply sealant to the inside of the pencil line.
- Spread the sealant evenly with a putty knife.

- Carefully position the Lavatory in the cutout, and press down firmly.

CUT ALONG THIS LINE

2" Min.  
(5 cm)  
3-(1/4)" Min.  
(8.4 cm)

14-(1/4)"  
(36 cm)  
13-(3/8)"  
(34 cm)

4-(5/8)" (11.8 cm)  
13-(1/2)" (34.5 cm)

**APPLICABLE STANDARDS:-**

1) D300\_001 : Kitchen Sink & Lavatory Cutout Template Design

- NOTES:**
- 1) Title block & instructions below not to be part of printing.
  - 2) Printing to be done as per the scale mentioned in drawing.
  - 3) When plotting template full size: make sure horizontal & vertical dimensions match the dimensions on the template.
  - 4) Paper Material : Maplitho Paper , 100 ± 5 GSM
  - 5) Printing Color : Black
  - 6) Printable Version of Installation Instruction/Cut out Template to be approved by Kohler India Packaging Team for Final approval

MATERIAL: REFER NOTES  
GRADE : REFER NOTES  
COLOR/FINISH : REFER NOTES

ALL DIMENSIONS		IN		MM	
UPTD 6	±0.5				
6-30	±1.0				
30-120	±1.5				
120-400	±2.5				
400-1000	±4.0				
1000-2000	±6.0				
Above 2000	±8.0				

DIMENSIONING AND TOLERANCING PER ASME Y14.5M-1994					
APPROVED	ARUN B	DATE	30.10.14	PLOT DATE	SCALE
TOLERANCES UNLESS OTHERWISE SPECIFIED					1:1
AS	DATE	30.10.14	CHECKED	HEMLATA S	30.10.14
DO NOT SCALE DRAWING			PRO/E		SIZE
(SEE TOLERANCE TABLE)					THIRD ANGLE PROJECTION
<b>KOHLER</b>					
KOHLER INDIA CORP. PVT. LTD.					
DESCRIPTION					
INSTALLATION INSTRUCTION					
DWG. NO.	1243003-IN01				SHT

UPTD	BY	DATE	DESCRIPTION
6	AS	ARUN B	PCI NO: IN1501018
1	A	AS	ARUN B
1	SYM	BY	APPROVED BY

TOLERANCE TABLE

DWG REVISION RECORD

8

7

6

5

4

3

2

1