

Features

- Brass construction.
- One-piece, self-contained ceramic disc joystick valve actuation allows both volume and temperature control.
- ADA compliant lever handle.
- Single-hole mounting.
- Stationary spout.
- Touch-activated drain with tailpiece and overflow.
- 5-3/8" (137 mm) spout reach.
- 1.5 gal/min (5.7 l/min) maximum flow rate [max at 60 psi (4.14 bar)].



ADA

CSA B651

OBC

Codes/Standards

ASME A112.18.1/CSA B125.1

NSF 61

NSF 372

EPA WaterSense®

ADA

ICC/ANSI A117.1

CSA B651

OBC






All applicable US Federal and State material regulations

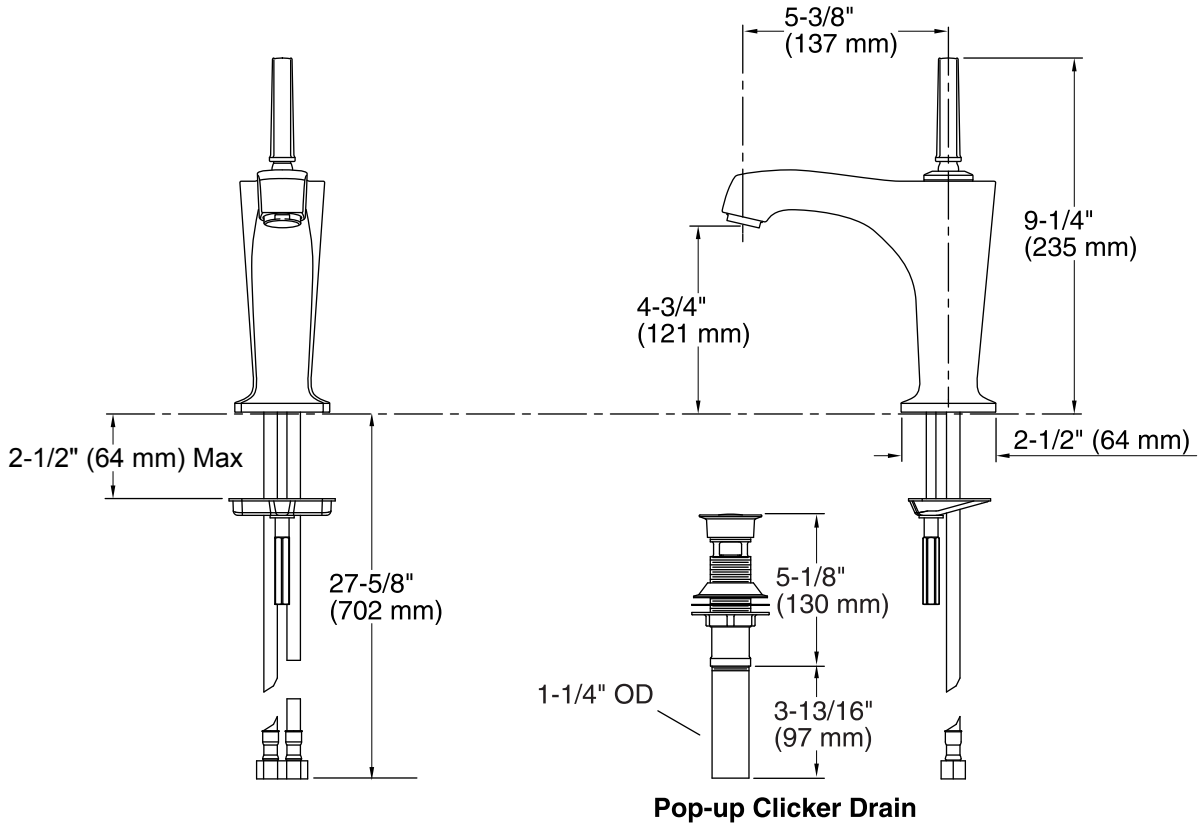
KOHLER® Faucet Lifetime Limited Warranty

See website for detailed warranty information.

Available Color/Finishes

Color tiles intended for reference only.

Color	Code	Description
	CP	Polished Chrome
	SN	Vibrant® Polished Nickel
	AF	Vibrant® French Gold
	BN	Vibrant® Brushed Nickel
	BV	Vibrant® Brushed Bronze



Technical Information

All product dimensions are nominal.

Spout reach: 5-3/8" (137 mm)

Drain included: YES

Drain with overflow: YES

Drain tailpiece included: YES

Faucet:

Flow rate: 1.5 gal/min (5.7 l/min)

Pressure: 60 psi (4.1 bar)

Notes

Install this product according to the installation guide.

ADA, OBC, CSA B651 compliant when installed to the specific requirements of these regulations.