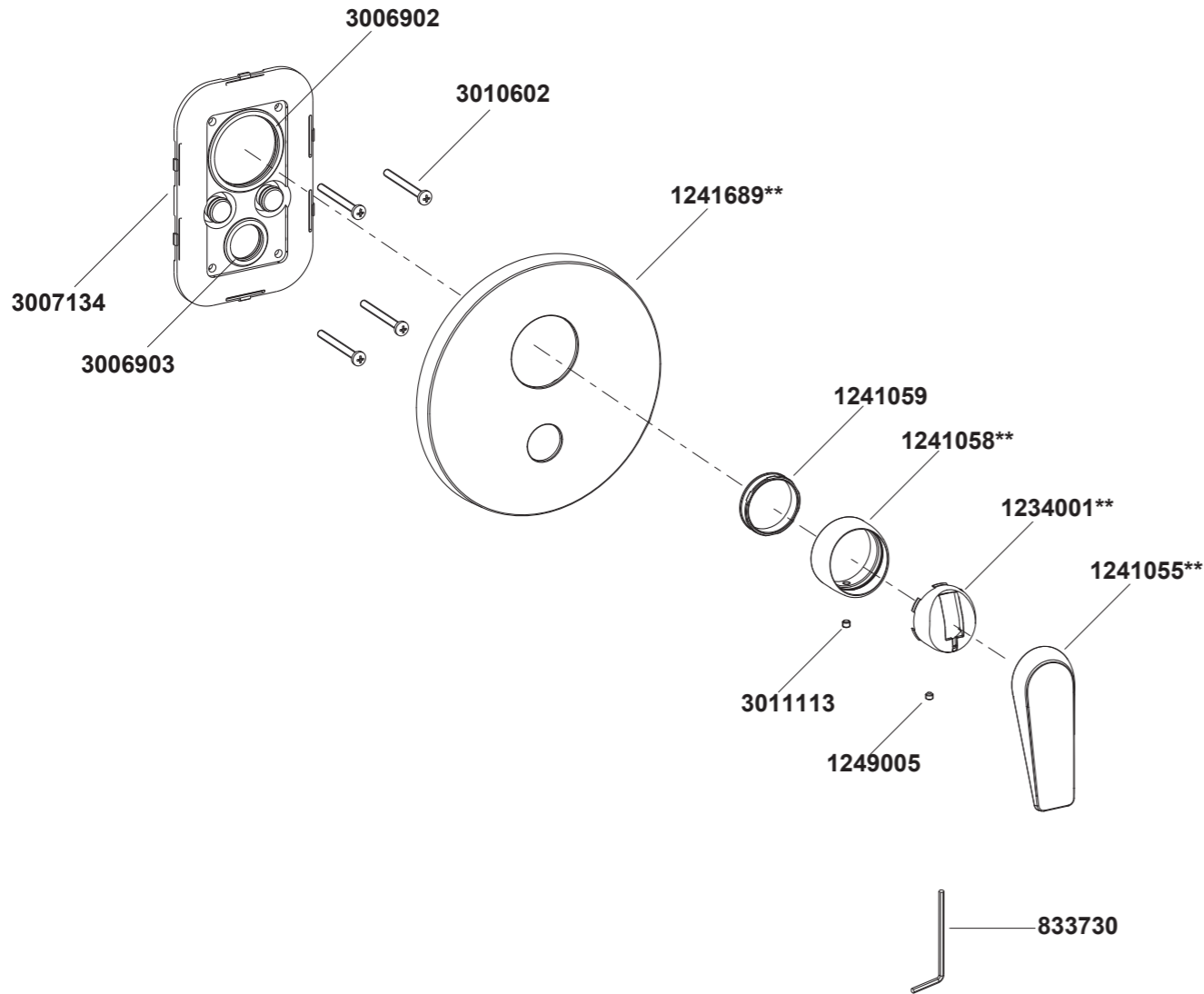


97487IN-4-**



97487IN-4-**

40MM RECESSED BATH SHOWER TRIM

BEFORE YOU BEGIN

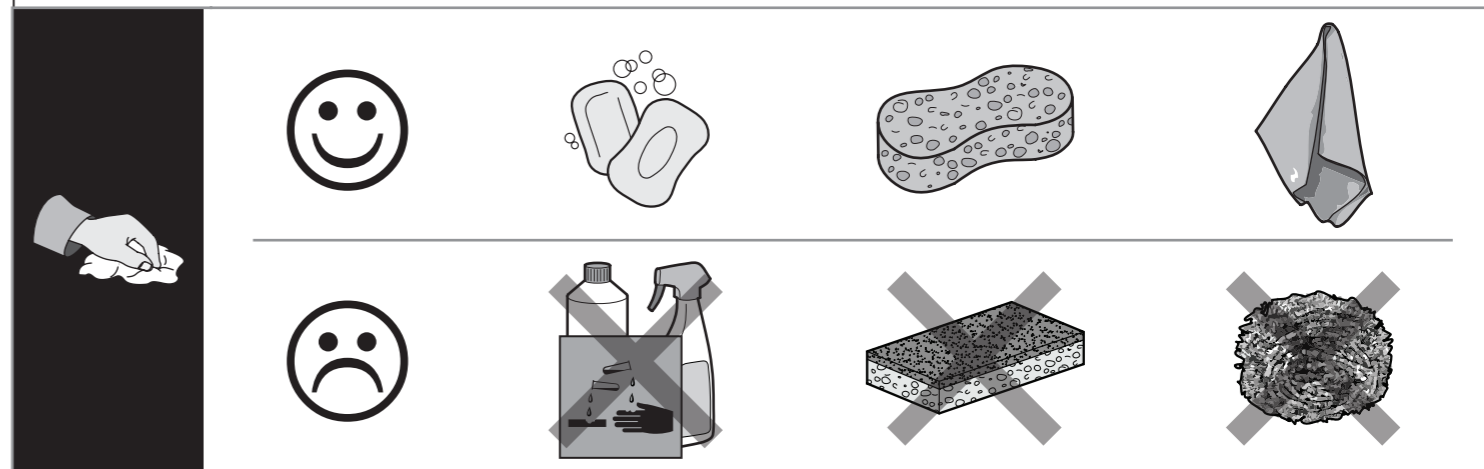
All information is based on the latest product information available at the time of publication. Kohler Co. reserves the right to make changes in product characteristics, packaging, or availability at any time without notice.

Please leave these instructions for the consumer. They contain important information.

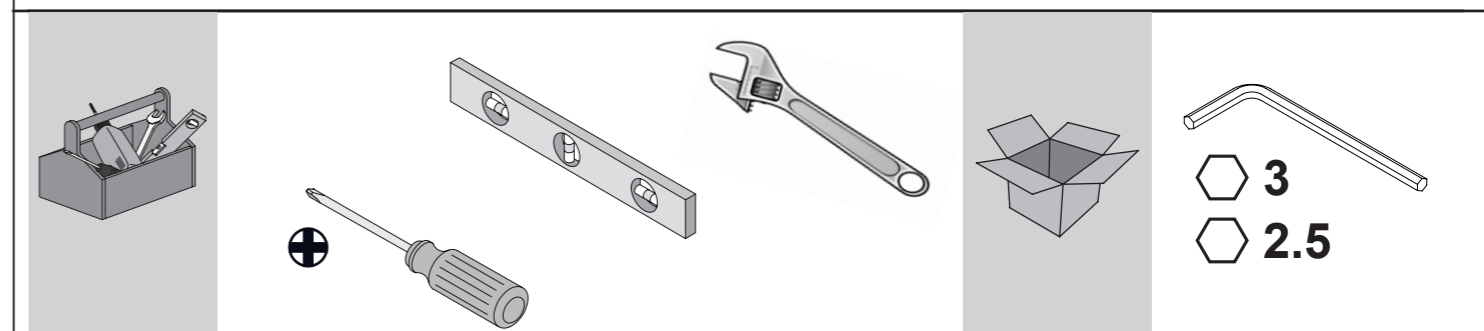
NOTES:

1. Flush the water supply pipes thoroughly to remove debris.
2. Inspect the supply tubing for damage. Replace as necessary.
3. Observe local plumbing codes.
4. Check for leaks before covering the pipes, repairs as needed.
5. Do not remove the plaster guard from the valve body until instructed to.

CLEANING INSTRUCTION



TOOLS REQUIRED



	P	Bar	0.5 < 3 < 5.5
	T	°C	< 65



IN

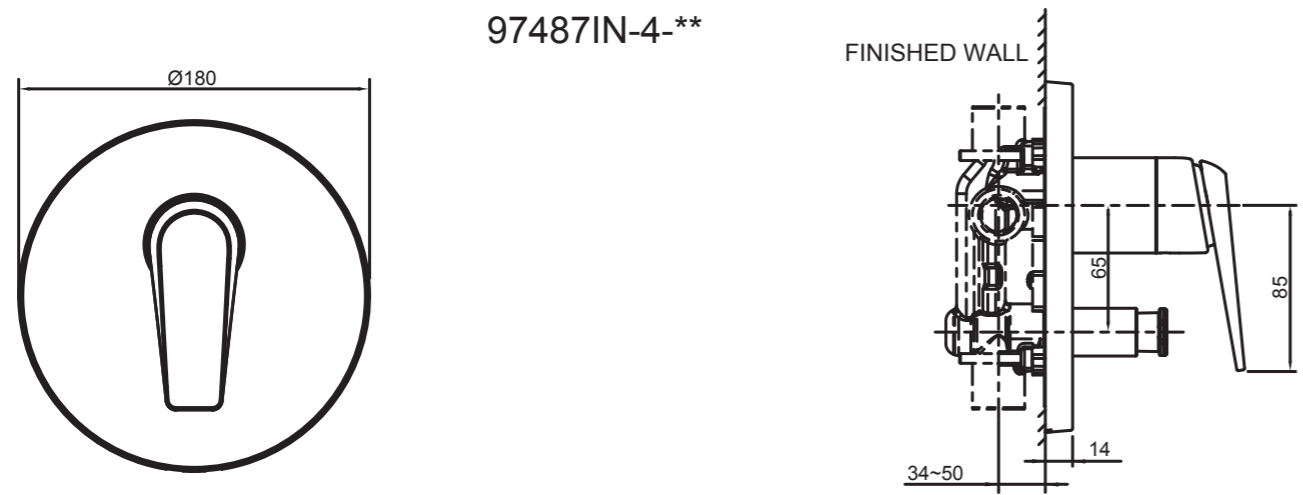


Kohler India Corporation Pvt. Ltd.
6th Floor, Office Block, Ambience Island, NH-8
Gurgaon - 122002, Haryana, India



Customer Care No : 1800 103 2244
(Toll Free) & +91-124-4319685 / 86
Customer Care Email : indiacustomercare@kohler.com
www.kohler.co.in

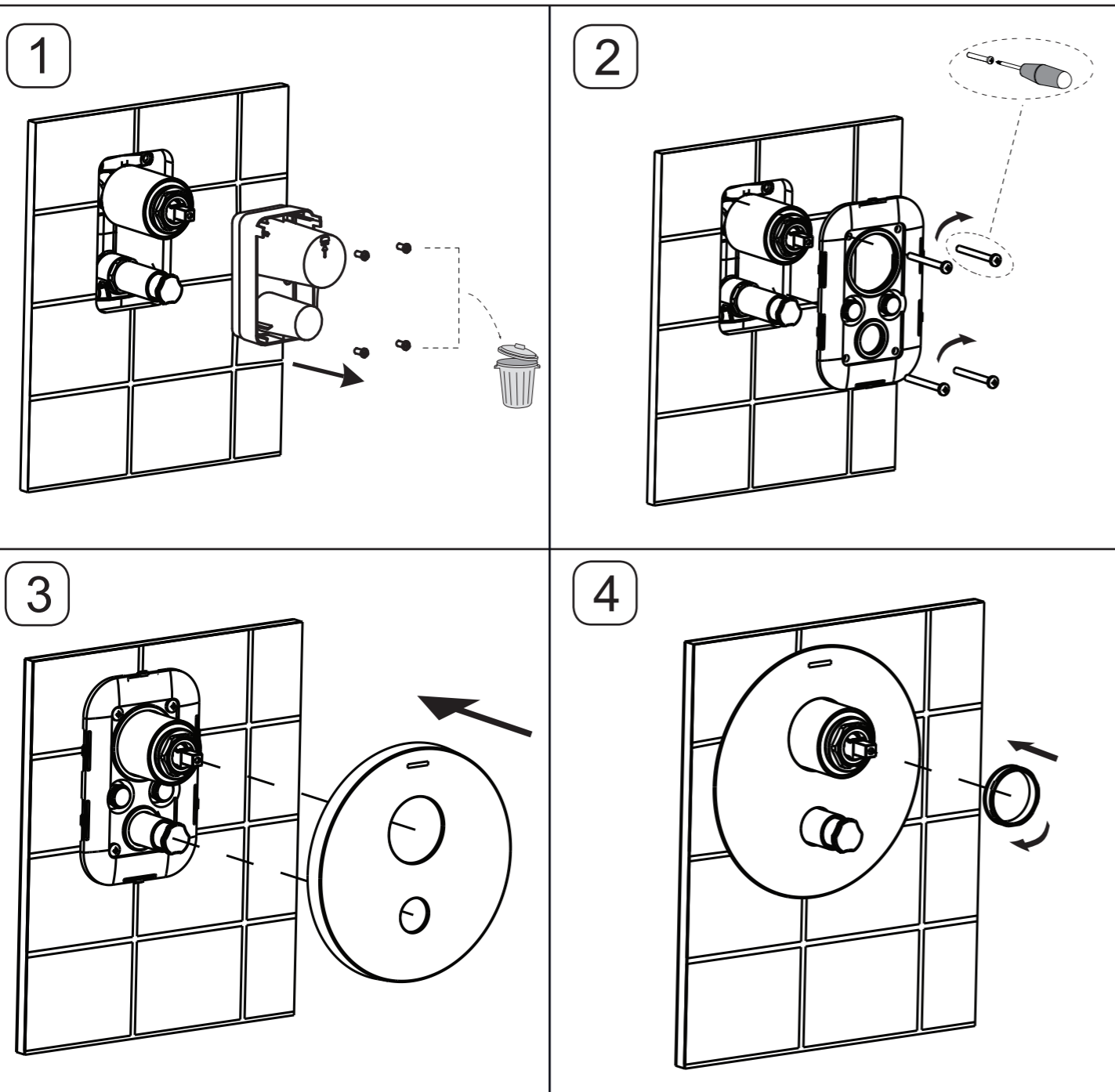
ROUGH IN DIMENSIONS



97487IN-4-**

FINISHED WALL

INSTALLATION - VALVE ASSEMBLY



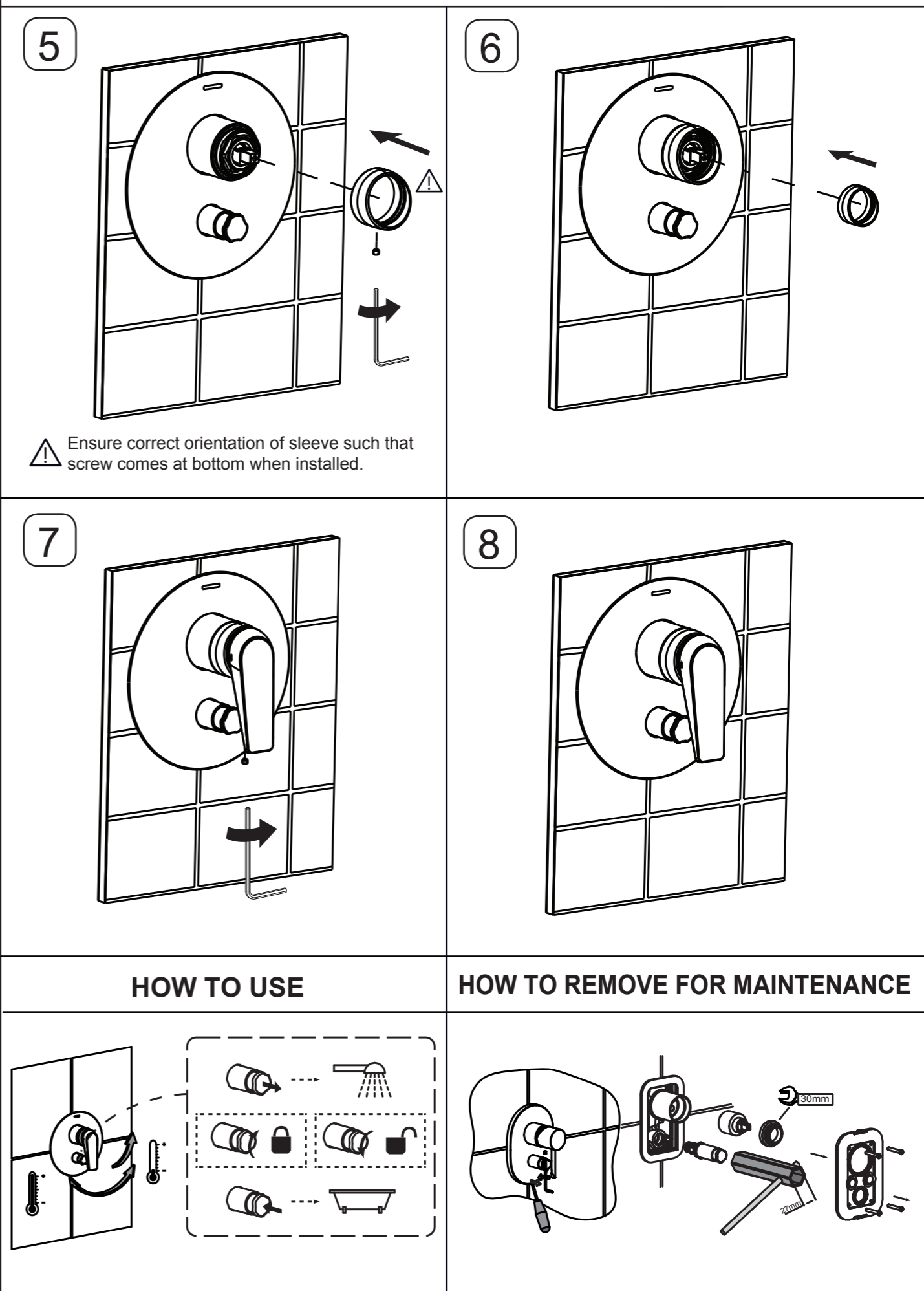
1

2

3

4

INSTALLATION - VALVE ASSEMBLY



5

6

7

8

⚠ Ensure correct orientation of sleeve such that screw comes at bottom when installed.

HOW TO USE

HOW TO REMOVE FOR MAINTENANCE

