

8965IN-9FP SINGLE LEVER RECESSED BATH & SHOWER TRIM 8966IN-9FP SINGLE LEVER RECESSED SHOWER ONLY TRIM

BEFORE YOU BEGIN

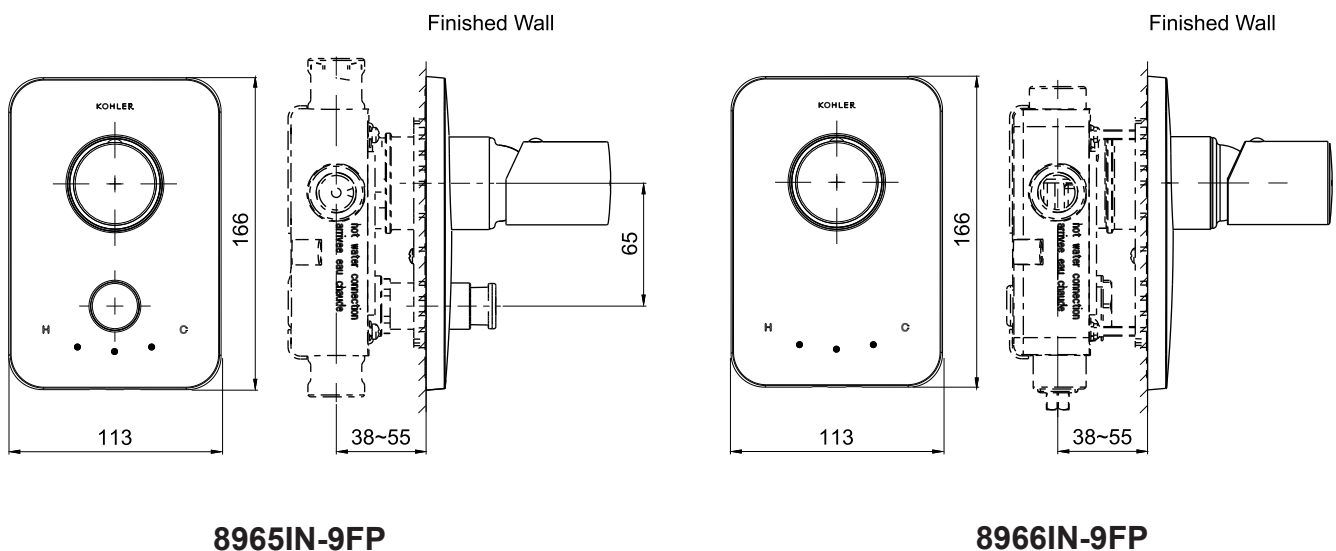
All information is based on the latest product information available at the time of publication. Kohler Co. reserves the right to make changes in product characteristics, packaging, or availability at any time without notice.

Please leave these instructions for the consumer. They contain important information.

Notes:

1. Flush the water supply pipes thoroughly to remove debris.
2. Do not remove the plaster guard from the valve body until instructed to.
3. Install valve 880IN according to the rough-in dimensions 8966IN-9FP, Install valve 882IN according to the rough-in dimensions of 8965IN-9FP.

ROUGH-IN DIMENSIONS



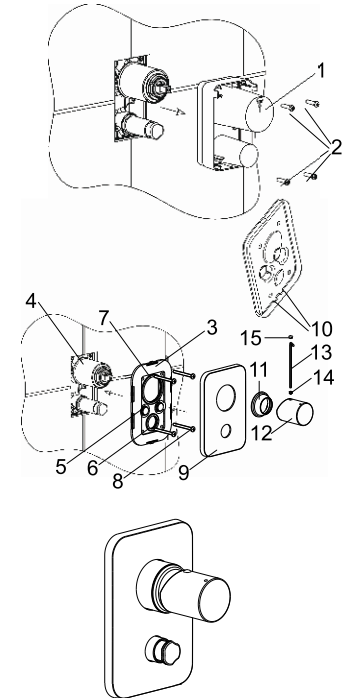
INSTALLATION

NOTE: Install valve 880IN according to the rough-in dimensions of 8966IN-9FP, Install valve 882IN according to the rough-in dimensions of 8965IN-9FP.

Remove the plastic guard(1) after completed the finished wall.

NOTE: Retain screws(2).

Slide the cover kit(3) onto the valve(4) with the plugs(5) facing outside
(NOTE: Don't squeeze out the rings 6,7). Push it against the wall. Secure it with the screw(8). Slide the faceplate(9) onto the valve with slots(10) downwards. Push it against the wall. Screw the bonnet(11) on the valve. Install the handle(12) on the valve stem. Tighten the screw(14) with hex wrench(13). Press plug button(15) to the hole.



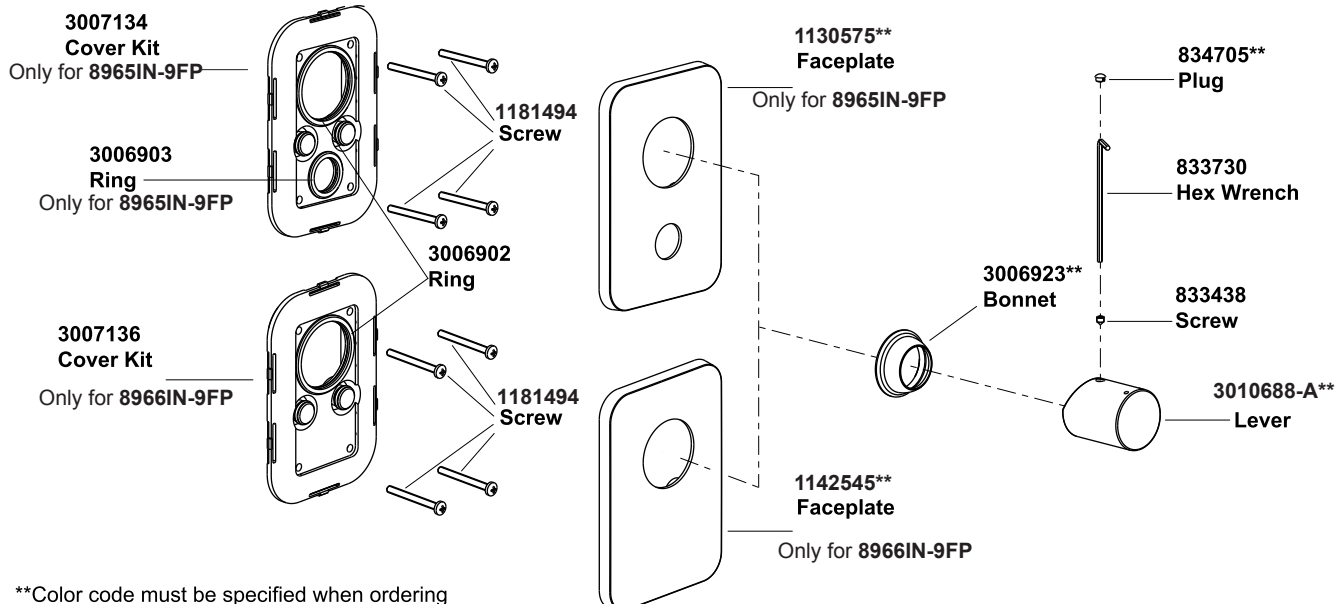
The illustration shown is the correct position of the handle in the closed position.

CLEANING INSTRUCTIONS

All Finishes: Clean the finish with mild soap and warm water. Wipe entire surface completely dry with clean soft cloth. Many cleaners may contain chemicals, such as ammonia, chlorine, toilet cleaner etc. which could adversely affect the finish and are not recommended for cleaning.

Do not use abrasive cleaners or solvents on Kohler faucets and fittings.

SERVICE PARTS



**Color code must be specified when ordering