

**8861IN-4FP-\*\* SINGLE LEVER RECESSED SHOWER ONLY TRIM**  
**8862IN-4FP-\*\* SINGLE LEVER RECESSED BATH & SHOWER TRIM**

### BEFORE YOU BEGIN

All information is based on the latest product information available at the time of publication. Kohler Co. reserves the right to make changes in product characteristics, packaging, or availability at any time without notice.

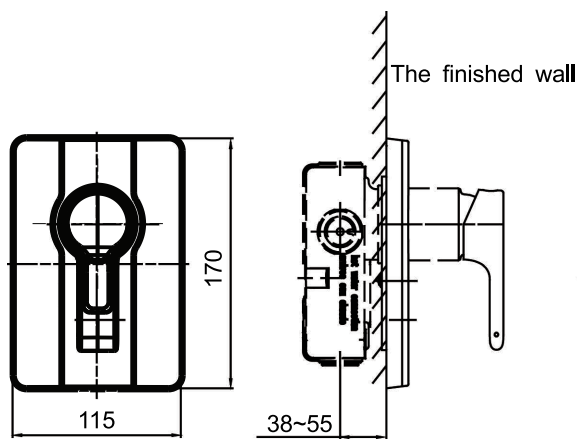
Please leave these instructions for the consumer. They contain important information.

#### Notes:

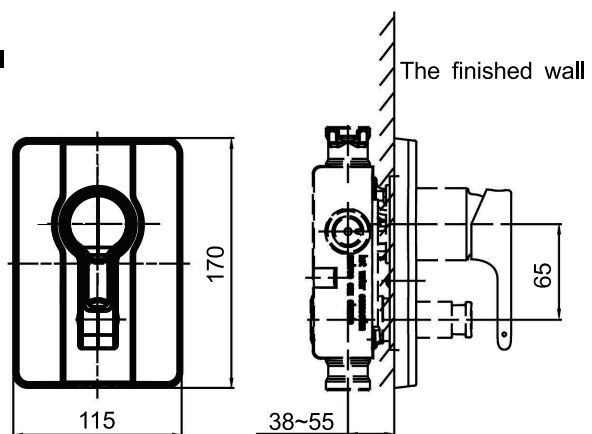
1. Flush the water supply pipes thoroughly to remove debris.
2. Do not remove the plaster guard from the valve body until instructed to.
3. Install valve 880 according to the rough-in dimensions of 8861IN-4FP, Install valve 882 according to the rough-in dimensions of 8862IN-4FP.

### ROUGH-IN DIMENSIONS

**8861IN-4FP**



**8862IN-4FP**



## INSTALLATION

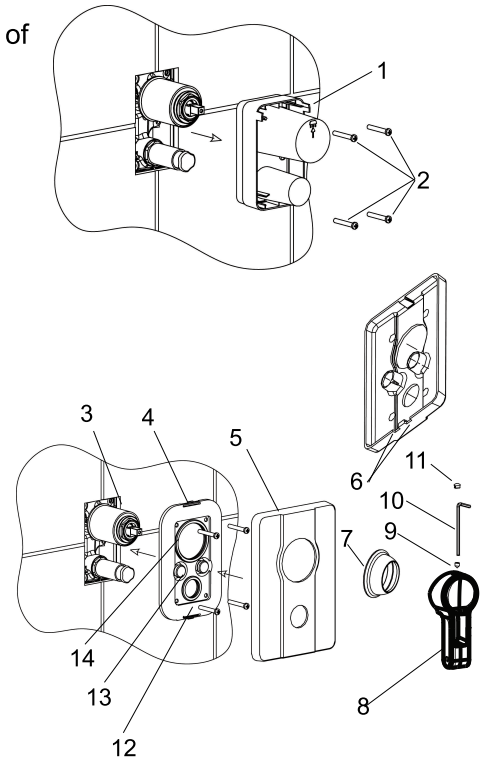
**Note:** Install valve 880 according to the rough-in dimensions of 8861IN-4FP, Install valve 882 according to the rough-in dimensions of 8862IN-4FP.

Remove the plastic guard(1) after completed the finished wall.

**Note:** Retain screws(2).

Slide the cover kit(4) onto the valve(3) with the plug(13) facing outside(**Note:** Don't squeeze out the rings(12,14)). Push it against the wall. Secure it with the screws(2). Slide the faceplate(5) onto the valve with slots(6) downwards, push it against the wall. Screw the bonnet(7) on the valve.

Install handle(8): Tighten the setscrew(9) with hex wrench(10). Press plug button(11) to the hole.

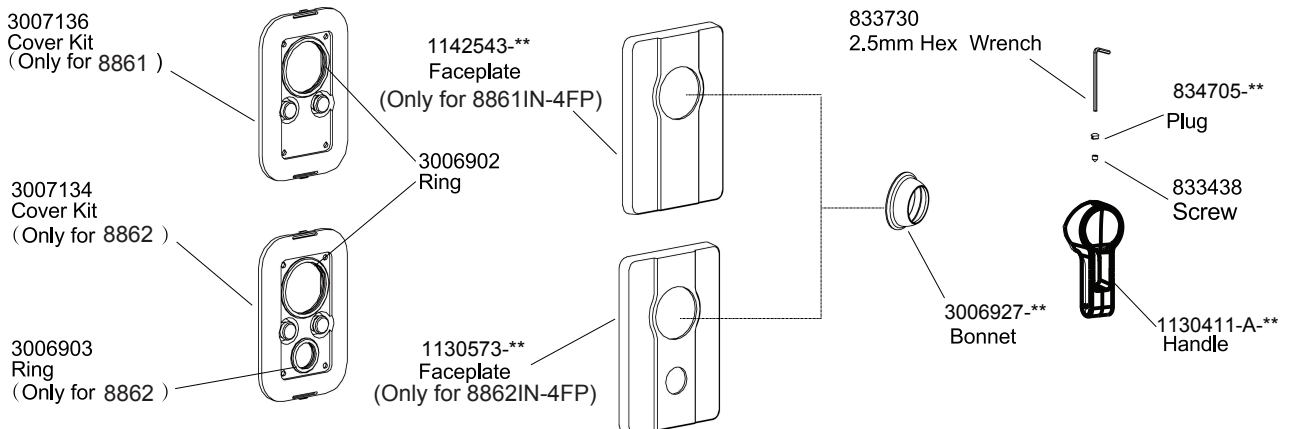


## CLEANING INSTRUCTIONS

All Finishes: Clean the finish with mild soap and warm water. Wipe entire surface completely dry with clean soft cloth. Many cleaners may contain chemicals, such as ammonia, chlorine, toilet cleaner etc. which could adversely affect the finish and are not recommended for cleaning.

Do not use abrasive cleaners or solvents on Kohler faucets and fittings.

## SERVICE PARTS



\*\*Color code must be specified when ordering