

37311IN-4FP-CP RECESSED SHOWER ONLY TRIM

37310IN-4FP-CP RECESSED BATH & SHOWER TRIM

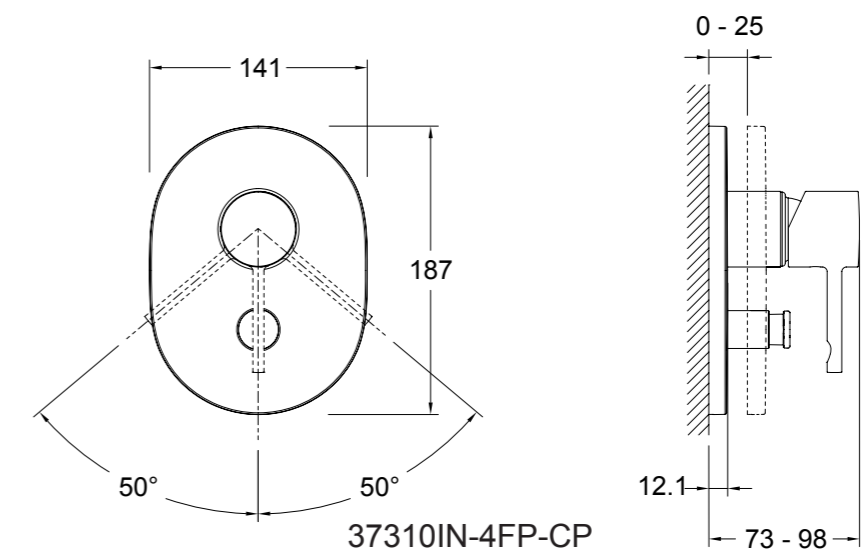
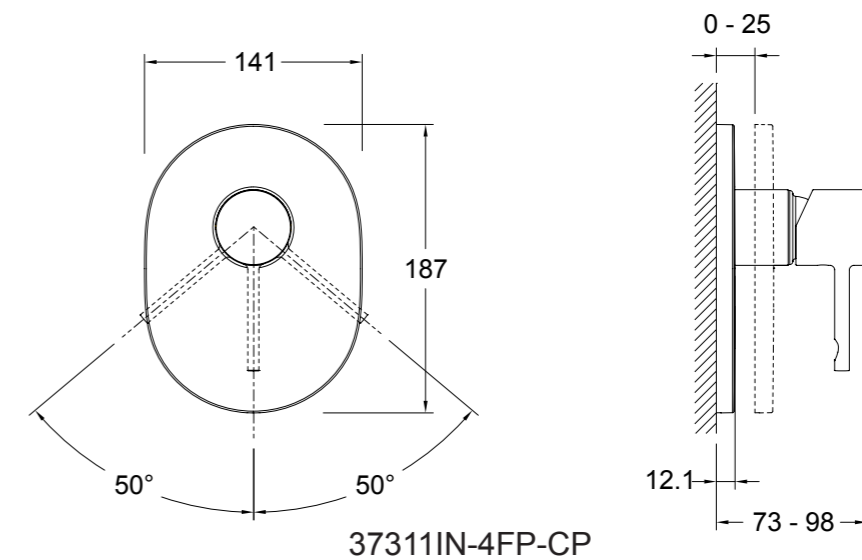
BEFORE YOU BEGIN

All information is based on the latest product information available at the time of publication. Kohler Co. reserves the right to make changes in product characteristics, packaging, or availability at any time without notice. Please leave these instructions for the consumer. They contain important information.

NOTE:

1. Flush the water supply pipes thoroughly to remove any debris.
2. Observe all local plumbing and building codes.

ROUGH-IN DIMENSIONS

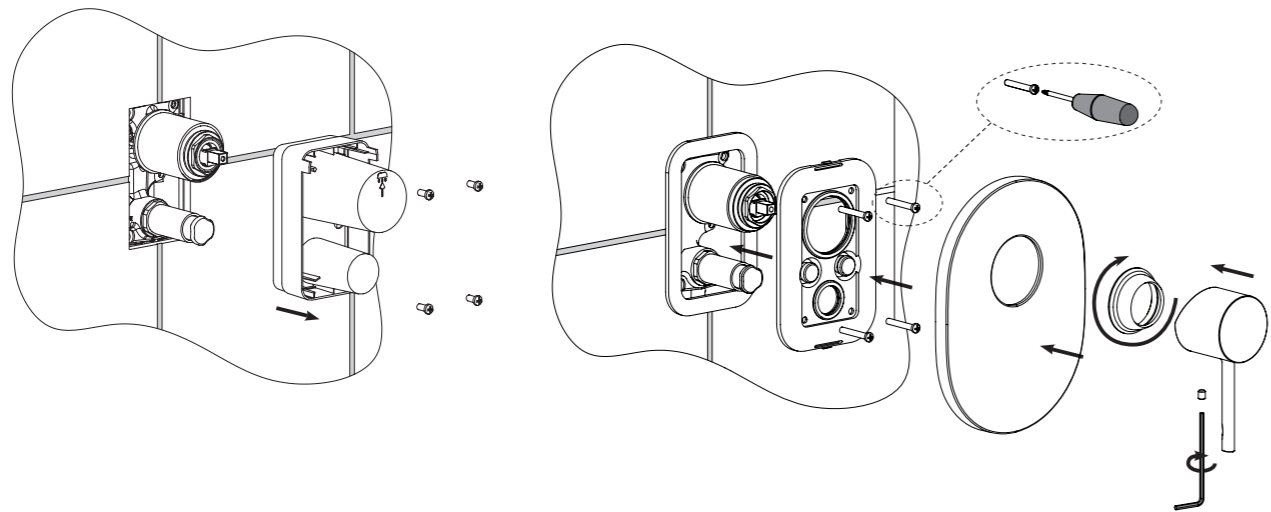


KOHLER®

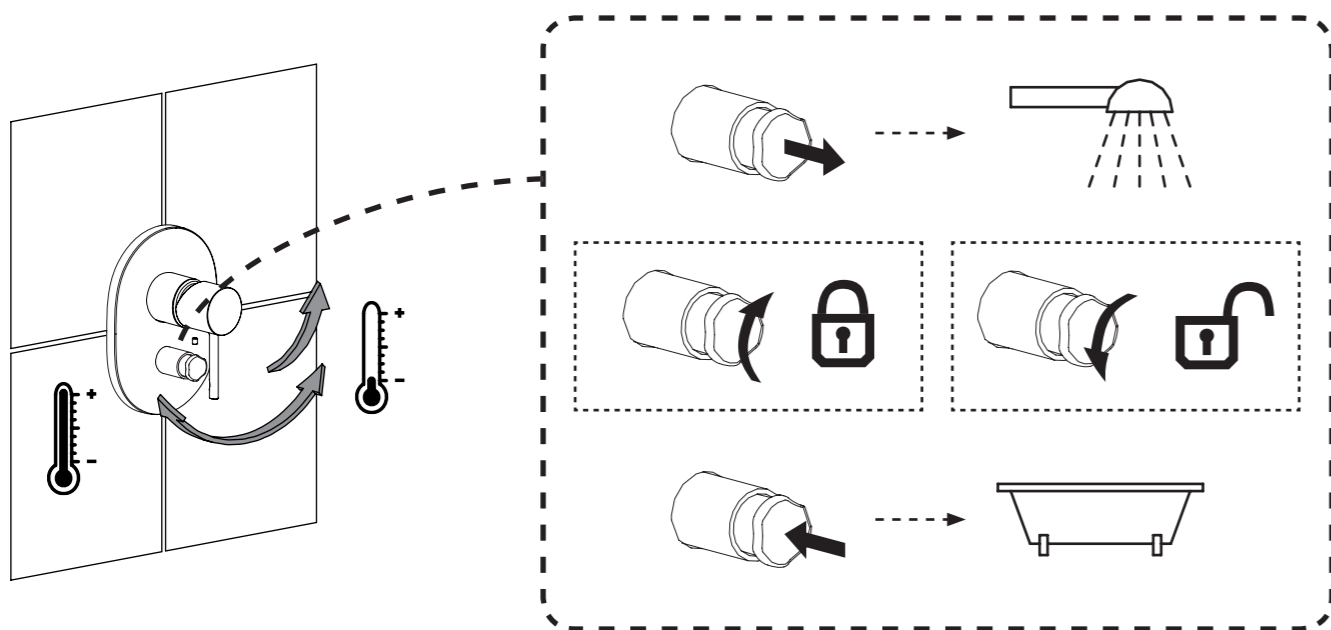
Kohler India Corporation Pvt. Ltd.
6th Floor, Office Block
Ambiance Mall, Ambi Island, NH-8
Gurgaon-122002
Haryana, India

Customer Care No : 1800 103 2244 (Toll Free) & +91-124-4319685 / 86
Customer Care Email : indiacustomercare@kohler.com
www.kohler.co.in

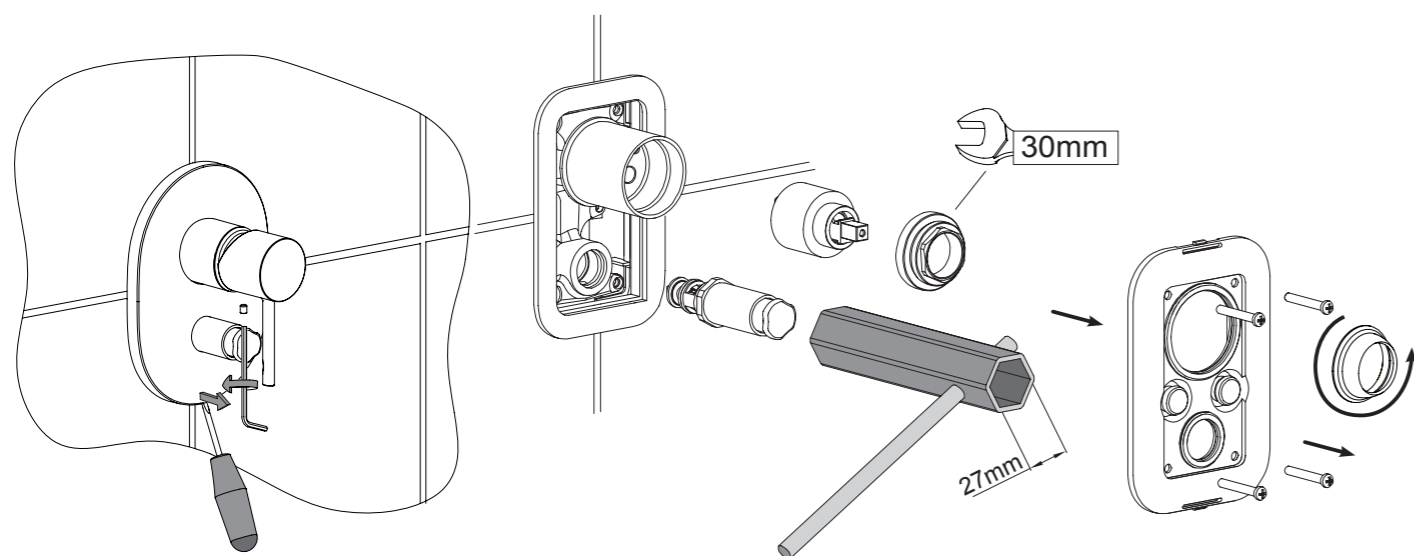
INSTALLATION INSTRUCTIONS



HOW TO USE



HOW TO REMOVE FOR MAINTENANCE



KOHLER®

SERVICE PARTS

CUFF

37311IN-4FP-CP RECESSED SHOWER ONLY TRIM
37310IN-4FP-CP RECESSED BATH & SHOWER TRIM

